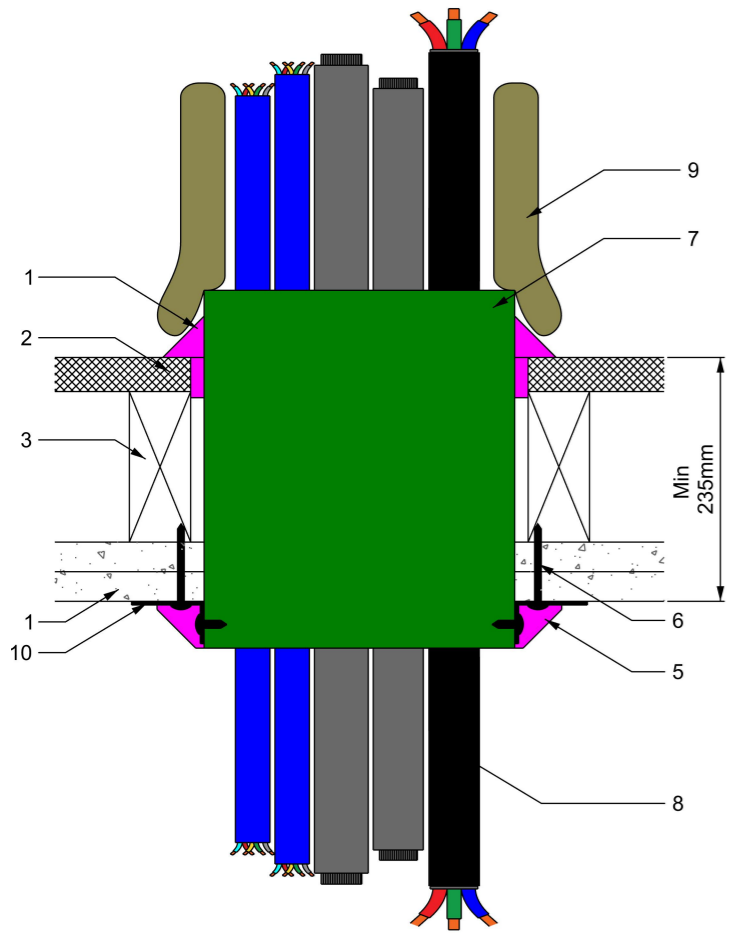
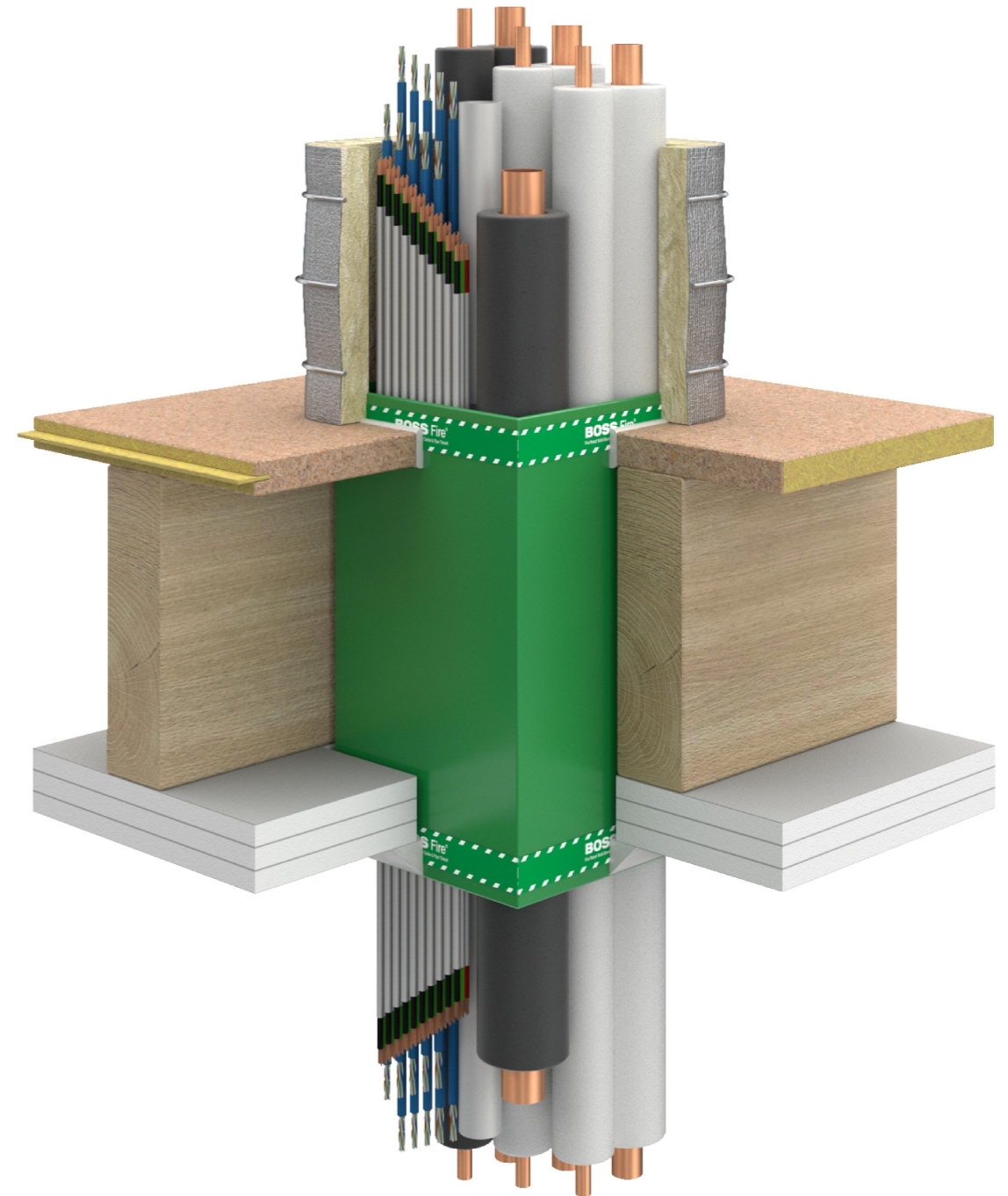
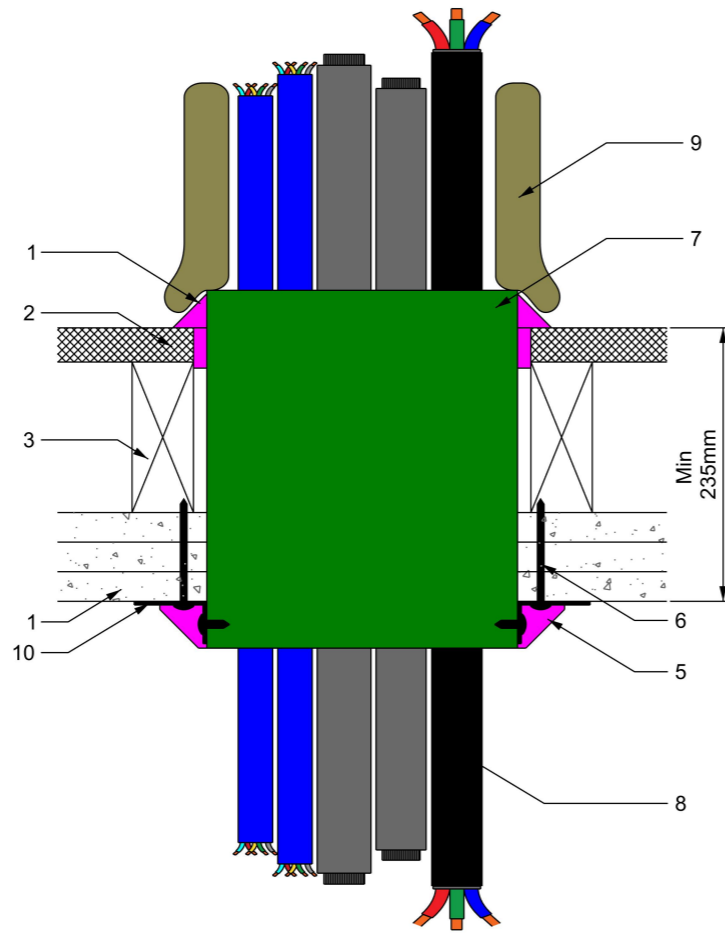


FRL -/60/60
FRL -/90/90




FRL -/120/120



*P40-MAK Wrap shown with cutaway for illustrative purposes only.

Component Schedule	Component Name	Primary Fire Stopping Product	Applicable Substrates with an Established FRL	Cables	Approved Mixed Services - System subject to the least performing substrate or service	FRL w/ Wrap	Metal Pipes	FRL w/ Wrap	Plastic Pipes	FRL w/ Wrap
1	13mm FR Plasterboard	BOSS Fire TransitBox®	Minimum 235mm ceiling / floor systems.	-Appendix D1 Power Cables (exempt 630mm ²)	-Paircoil up to 13/19mm Insulated Copper Pipes	-/120/120	-Copper Pipe up to 25mm OD with minimum 13mm thick non-combustible lagging	-/120/120	-PEX & PEX-AL-PEX Pipes up to 32mm with or without lagging	-/120/120
2	19mm Particleboard Flooring									
3	Wooden Floor Joist	Secondary Fire Stopping Product		-Multi Core Power Cables: Individual conductor size up to 16mm ² . Total maximum cross sectional area not greater than 48mm ² per cable.	-Copper Pipe up to 32mm OD with minimum 19mm thick continuous Armaflex, K-Flex or Thermobreak lagging	-/120/120	-Copper Pipe up to 50.8mm OD with minimum 25mm thick FR lagging	-/120/120	-UPVC Pipe & Conduit up to 55.8mm OD	-/120/120
4	Metal Bracket									
5	BOSS FireMastic-300™	BOSS FireMastic-300™ -Perimeter seal around box and concrete slab. -Maximum 10mm annular gap around box with FireMastic-300 to top and bottom side, finished with minimum 20mm x 25mm fillet on top side of concrete slab.		-Appendix D2 Data / Comms Cables are also including: CAT5, CAT5E, CAT6, CAT7, COAX, MATV, SMATV, CATV, Fig 8, Fire Alarm, EWIS, LAN, Security, NBN, Fibre Optic & Speaker cables.	-Copper Pipe up to 50.8mm OD with minimum 25mm thick FR lagging	-/120/120	-Copper Pipe up to 50.8mm Uninsulated	-/120/120	-CPVC Pipe up to 60.3mm OD	-/120/120
6	Mechanical Fixing									
7	BOSS Fire® Transit Box	Tertiary Fire Stopping Product		-Cables with Aluminium core 185mm ² or less	-Steel Sprinkler Pipe up to 60.3mm OD	-/120/120			-PE-RT Pipe or PE-RT Kelox pipe up to 32mm OD with or without lagging	-/120/120
8	Services									
9	BOSS P40-MAK Wrap™	P40-MAK Wrap -Where applicable apply to services both sides of wall. Refer to services list and desired FRL to determine requirements.								
10	Minimum 20mm x 40mm Steel Angle									

LIMITATION
BOSS Fire & Safety Pty Ltd has provided the above technical information in good faith and to the best of its knowledge. This information was deemed to be correct at the time of publication. Should any data come to BOSS Fire & Safety's attention relating to the fire resistance or performance of the product described, BOSS Fire & Safety Pty Ltd reserve the right to amend this document or drawing. BOSS Fire & Safety strive to constantly improve and develop products so this information may change without notice.
The information contained herein has been developed as a guide only and it does not constitute a guarantee of compliance of all applications. Each project and/or application may have specific requirements and you should investigate these carefully. Ensure that you have read and understood the appropriate certification relative to your needs, and ensure you seek acceptance from the Certifying Authority or compliance inspector before installation. For updates on the range of BOSS Fire® certification please contact BOSS Technical Services. +61 2 9531 8591
Copyright © 2020 BOSS Fire & Safety Pty Ltd. All rights reserved.



Sales & Technical	1300 502 677		
International	+61 2 9531 8591		
Web	bossfire.com		
Drawing Information:			
Category 1	Ceiling Floor Systems		
Category 2	Service Penetration		
Category 3	Mixed		
Test Standard	AS1530.4-2014/AS4072.1-2005		
Test Reference	Branz FC12925 / FTC843		
Drawing Number	C-SP-MIX-031		
Product DWG ID	BFB-032		
Drawn By	EG	Rev	02
Date of Issue	09/09/2021		