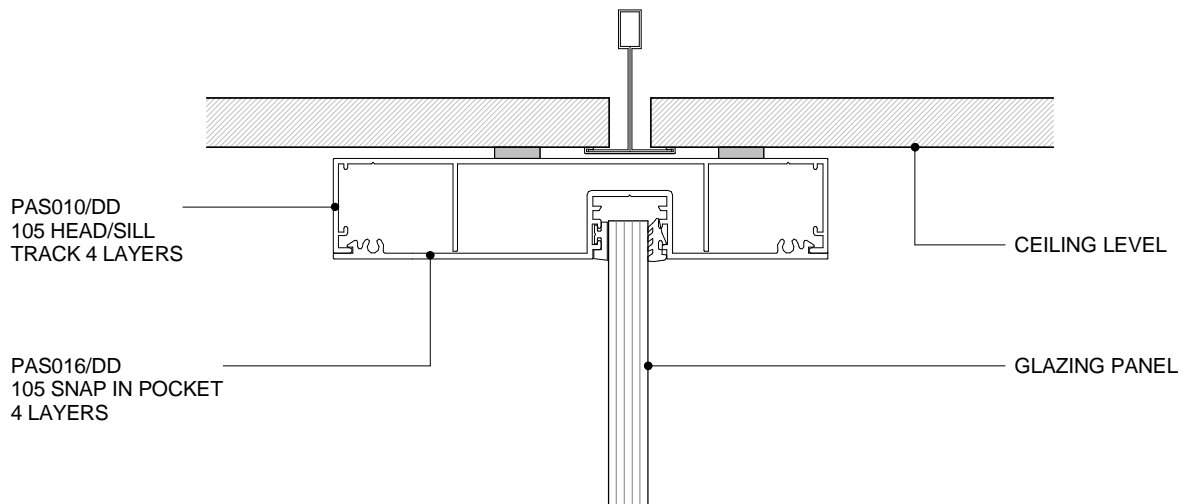


### SD TRACK 3 LAYERS



### DD TRACK 4 LAYERS

**POTTER ALUMINIUM SYSTEMS**  
**A SERIES 105 64MM - GLAZED HEADTRACK MULTI-LAYER**  
**CROSS SECTION**

**2.5.12**  
SHEET

1:2@A4  
SCALE

A 23/05/16  
ISSUED DATE

0800 POTTER (0800 768 837) WWW.POTTERS.CO.NZ  
SUBJECT TO CHANGE WITHOUT NOTICE

