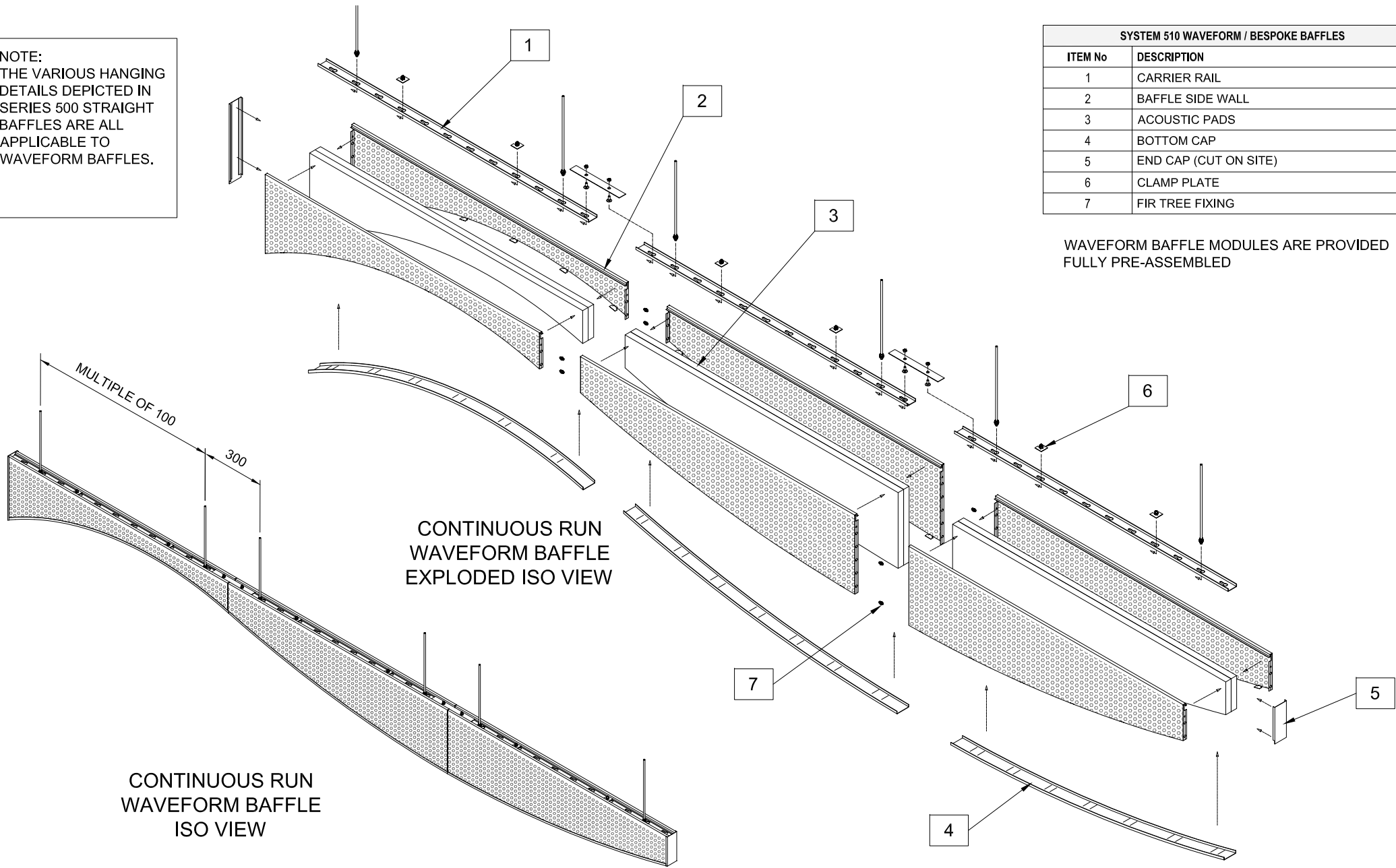


NOTE:
THE VARIOUS HANGING
DETAILS DEPICTED IN
SERIES 500 STRAIGHT
BAFFLES ARE ALL
APPLICABLE TO
WAVEFORM BAFFLES.

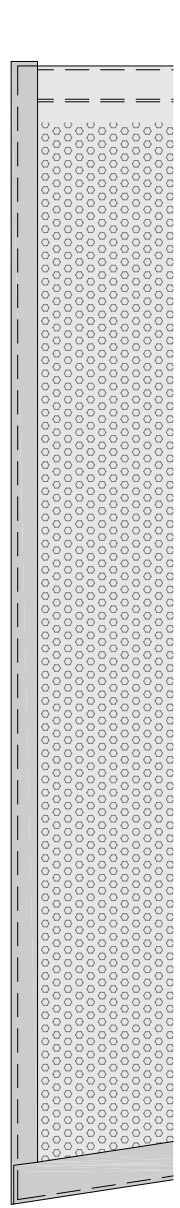
SYSTEM 510 WAVEFORM / BESPOKE BAFFLES	
ITEM No	DESCRIPTION
1	CARRIER RAIL
2	BAFFLE SIDE WALL
3	ACOUSTIC PADS
4	BOTTOM CAP
5	END CAP (CUT ON SITE)
6	CLAMP PLATE
7	FIR TREE FIXING

WAVEFORM BAFFLE MODULES ARE PROVIDED
FULLY PRE-ASSEMBLED

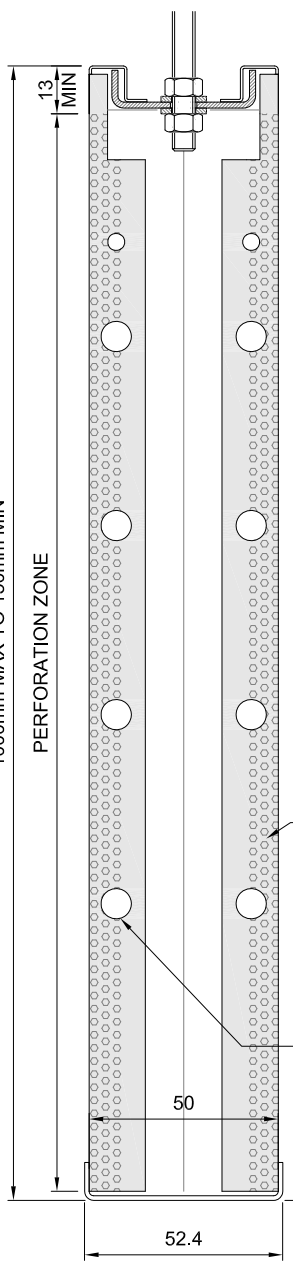


CONTINUOUS RUN
WAVEFORM BAFFLE
EXPLODED ISO VIEW

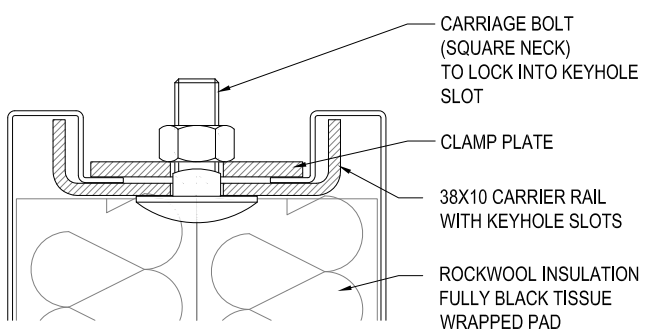
CONTINUOUS RUN
WAVEFORM BAFFLE
ISO VIEW



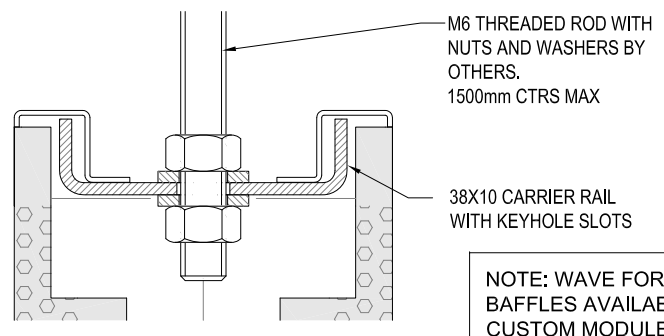
**END CAP
SIDE VIEW (1:2)**



**END VIEW (1:2)
END CAP NOT SHOWN**

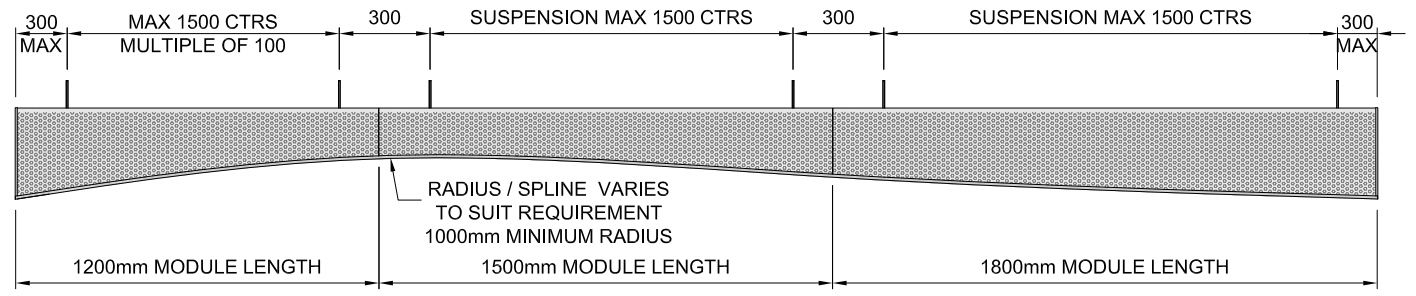


CLAMP PLATE (1:1)
2No REQUIRED PER BAFFLE



THREADED ROD HANGER (1:1)
MAX 1500 CTRS

**NOTE: WAVE FORM
BAFFLES AVAILABLE IN
CUSTOM MODULE
LENGTHS UPON
REQUEST**



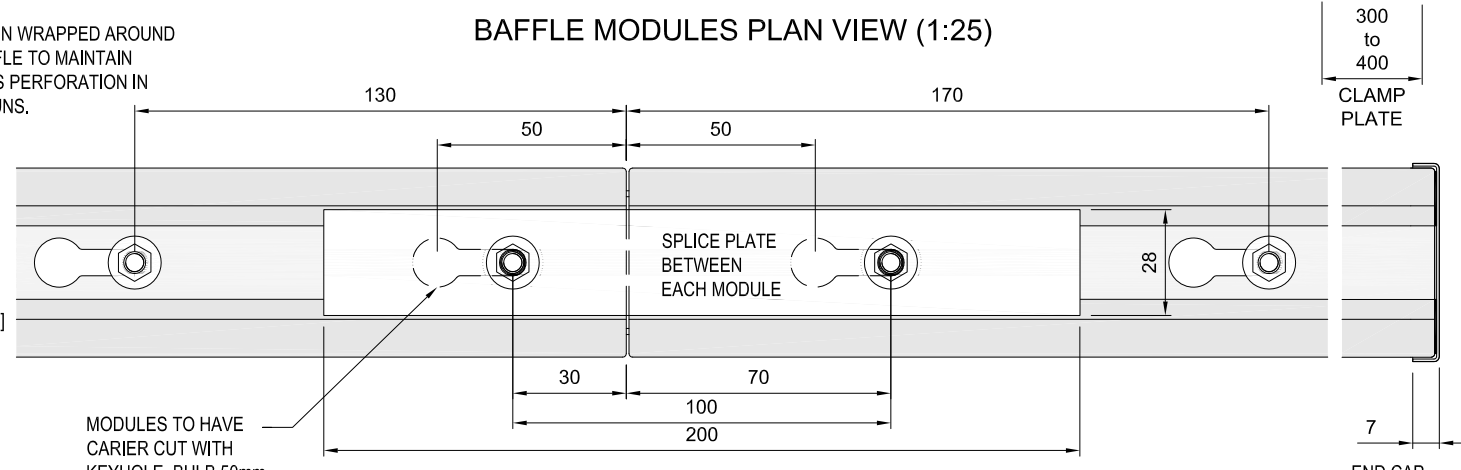
BAFFLE MODULES SIDE VIEW (1:25)



BAFFLE MODULES PLAN VIEW (1:25)

PERFORATION WRAPPED AROUND
END OF BAFFLE TO MAINTAIN
CONTINUOUS PERFORATION IN
MULTIPLE RUNS.

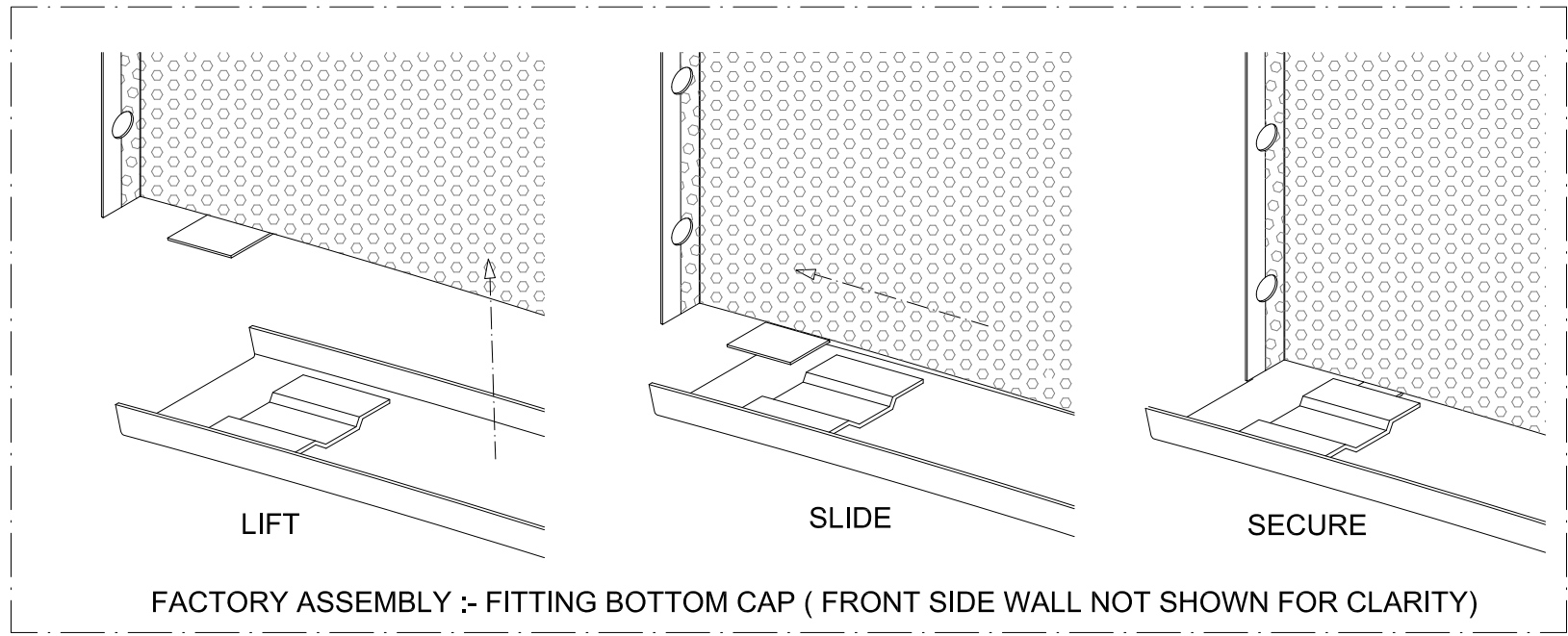
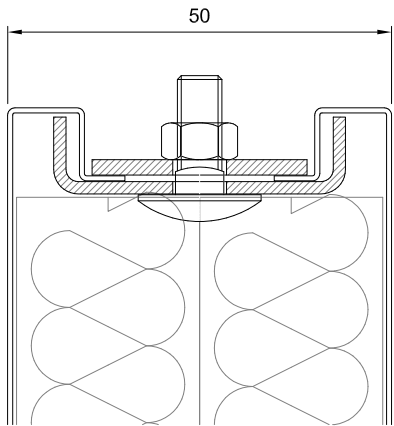
HOLE FOR
"FIR TREE"
CONNECTOR
[ITEM: 124654]



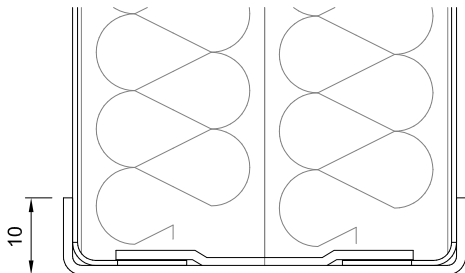
MODULES TO HAVE
CARRIER CUT WITH
KEYHOLE BULB 50mm
FROM END TO ENSURE
HANGER ALIGNMENT

PLAN VIEW DETAILS (1:2)

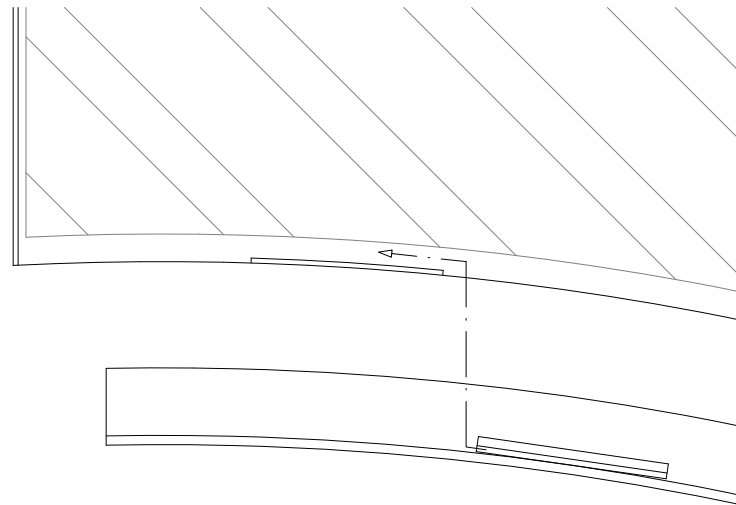
THE TOP PORTION OF A WAVEFORM BAFFLE IS IDENTICAL TO THE STANDARD STRAIGHT MODULES. AS SUCH ALL HANGING BRACKETS AND DETAILS ARE THE SAME. PLEASE SEE SERIES 500 FOR HANGING OPTIONS.



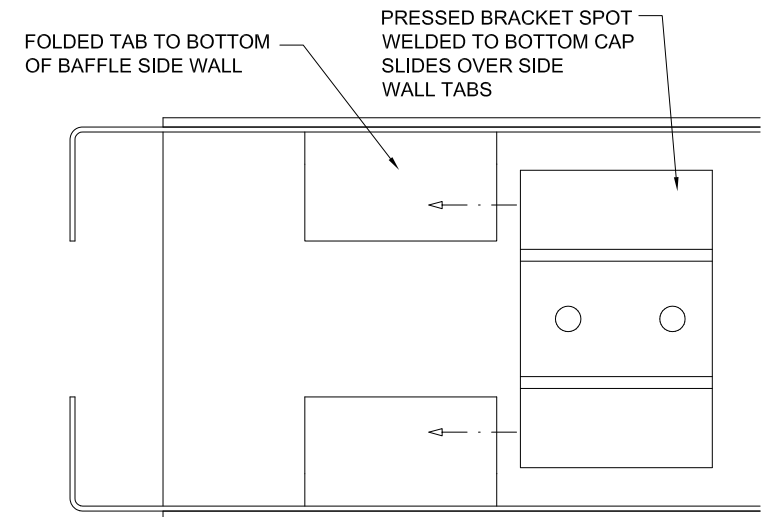
FACTORY ASSEMBLY :- FITTING BOTTOM CAP (FRONT SIDE WALL NOT SHOWN FOR CLARITY)



END SECTION THROUGH BAFFLE AT BOTTOM CAP MOUNTING POINT (1:1)



SIDE SECTION THROUGH BAFFLE AT BOTTOM CAP MOUNTING POINT (1:1)



PLAN SECTION THROUGH BAFFLE AT BOTTOM CAP MOUNTING POINT (1:1)