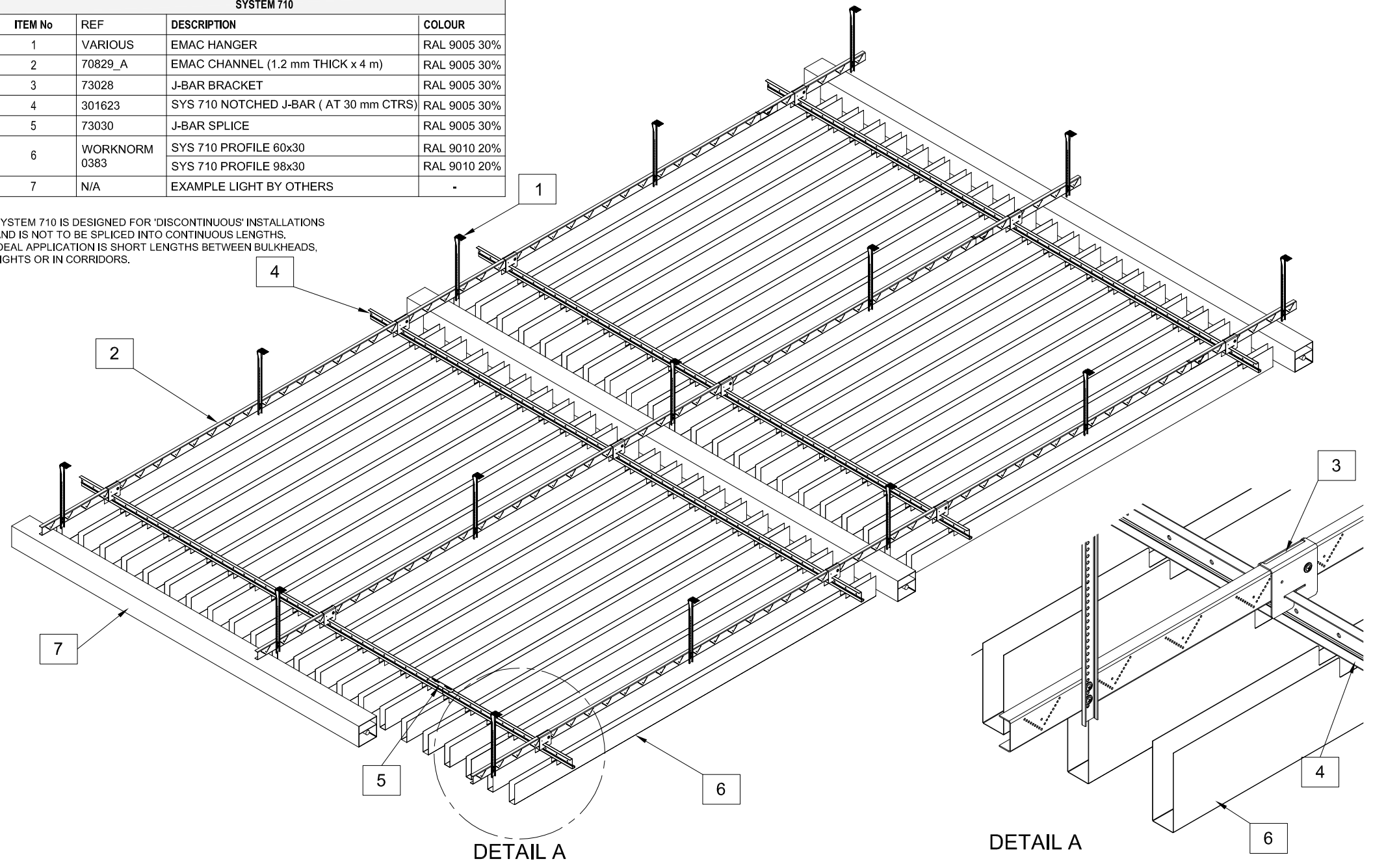
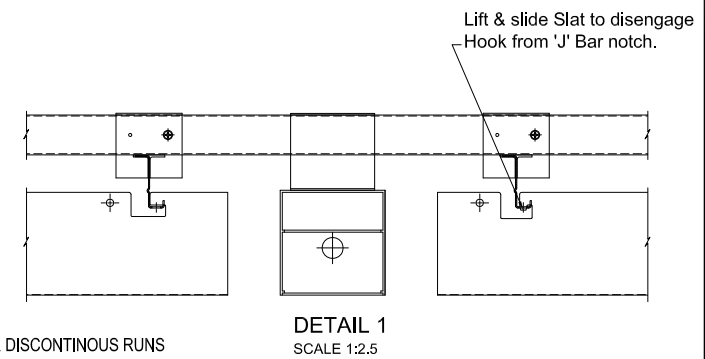
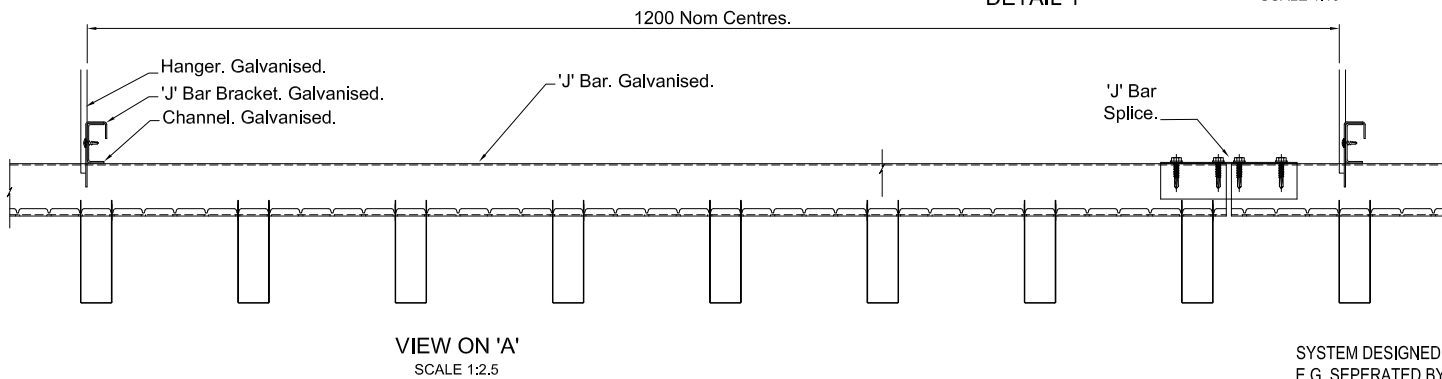
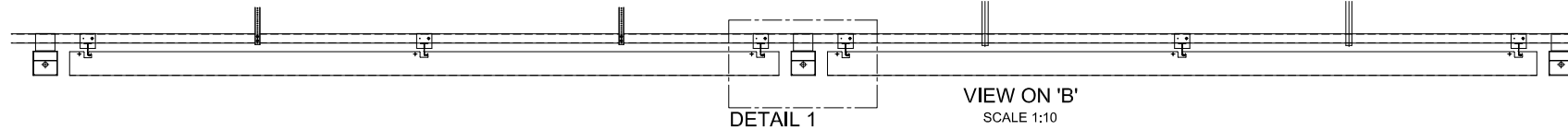
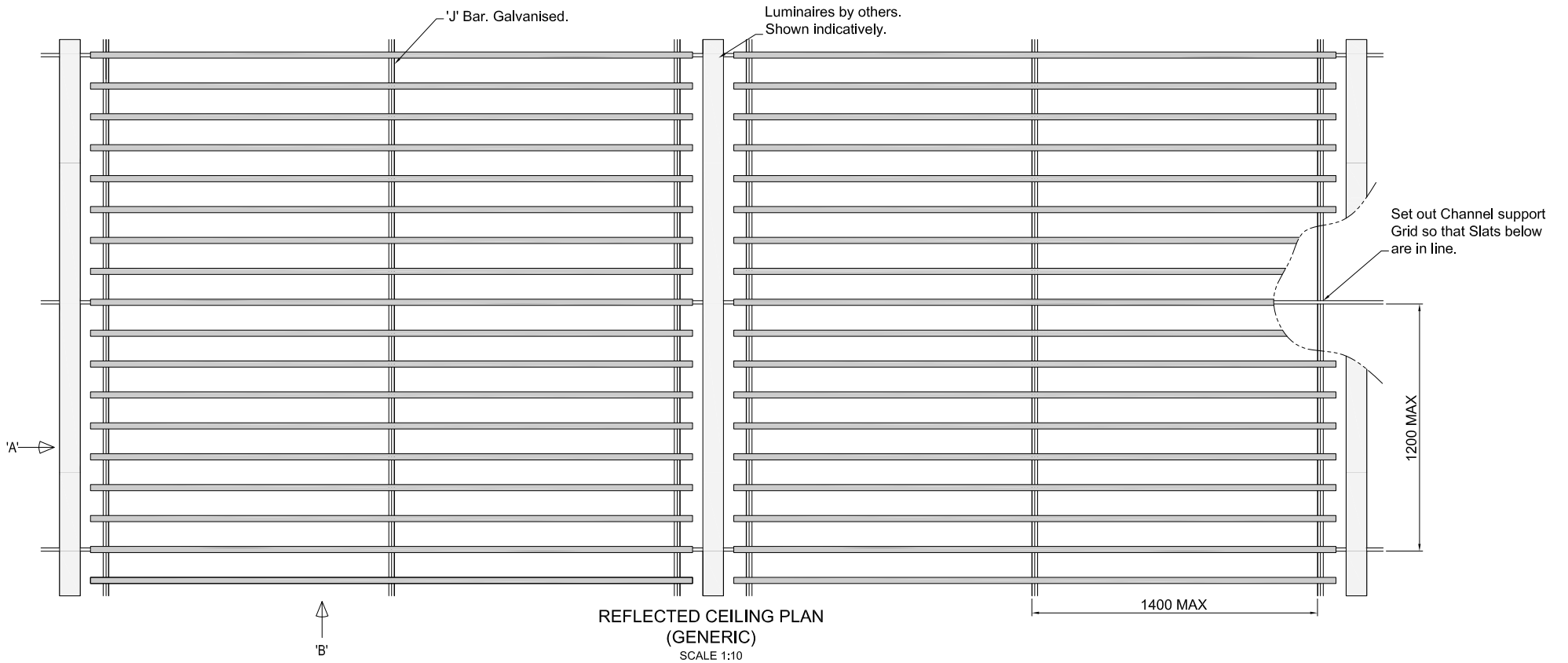


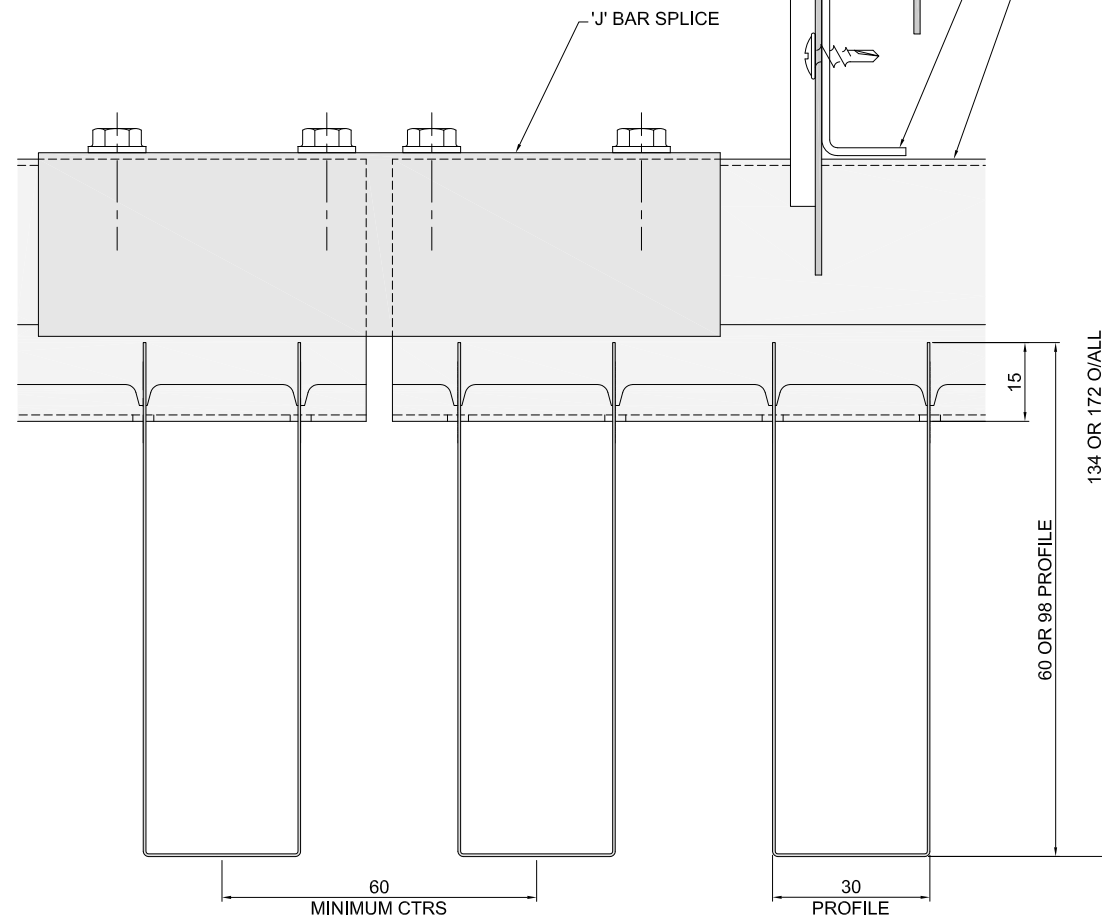
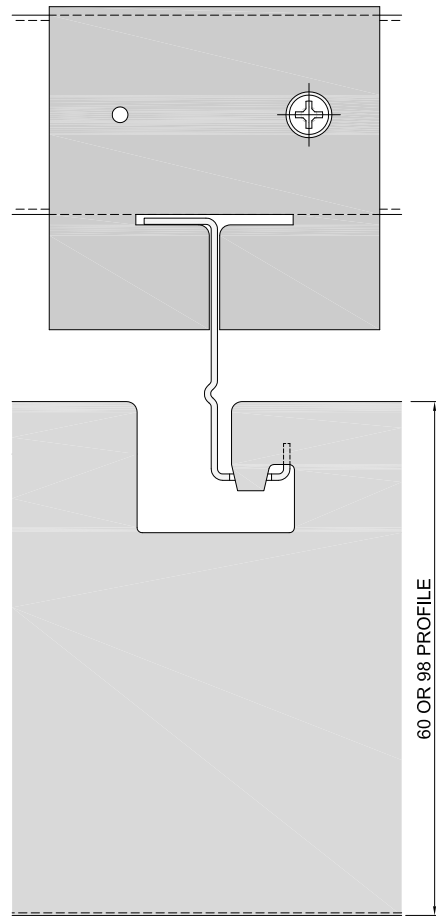
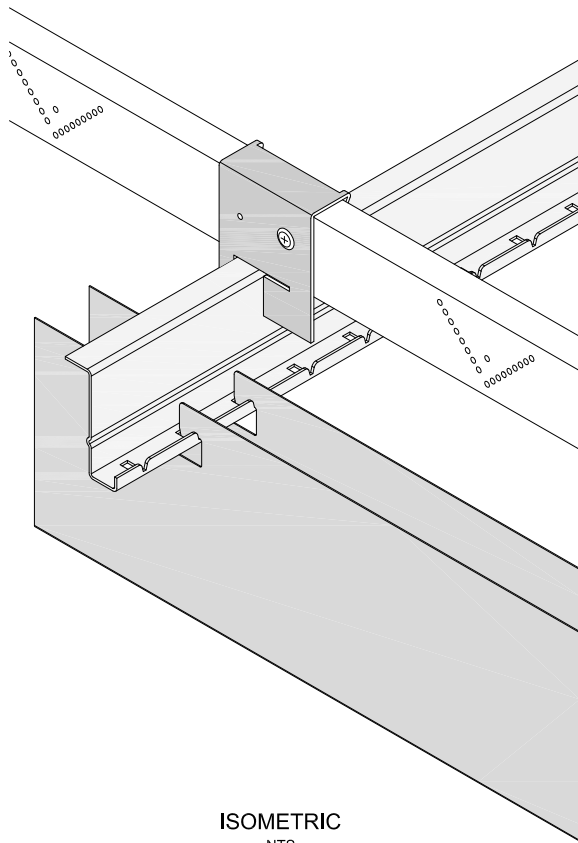
SYSTEM 710			
ITEM No	REF	DESCRIPTION	COLOUR
1	VARIOUS	EMAC HANGER	RAL 9005 30%
2	70829_A	EMAC CHANNEL (1.2 mm THICK x 4 m)	RAL 9005 30%
3	73028	J-BAR BRACKET	RAL 9005 30%
4	301623	SYS 710 NOTCHED J-BAR (AT 30 mm CTRS)	RAL 9005 30%
5	73030	J-BAR SPLICE	RAL 9005 30%
6	WORKNORM 0383	SYS 710 PROFILE 60x30	RAL 9010 20%
		SYS 710 PROFILE 98x30	RAL 9010 20%
7	N/A	EXAMPLE LIGHT BY OTHERS	-

SYSTEM 710 IS DESIGNED FOR 'DISCONTINUOUS' INSTALLATIONS AND IS NOT TO BE SPLICED INTO CONTINUOUS LENGTHS. IDEAL APPLICATION IS SHORT LENGTHS BETWEEN BULKHEADS, LIGHTS OR IN CORRIDORS.



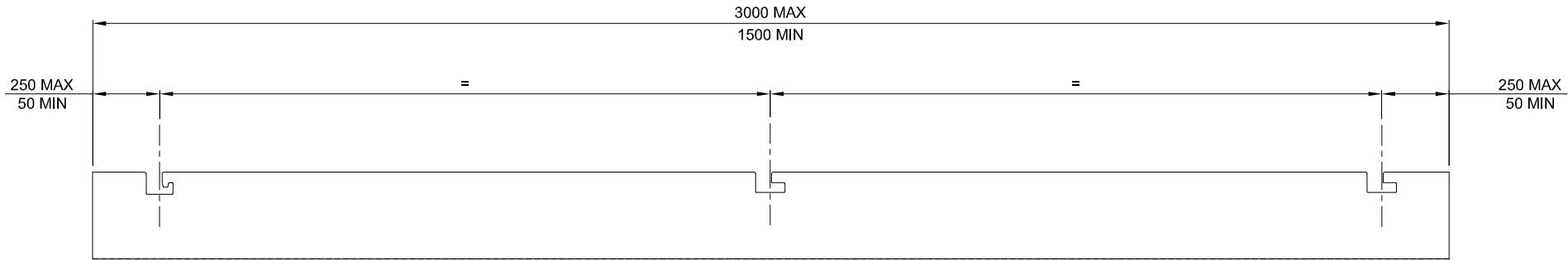


SYSTEM DESIGNED FOR DISCONTINUOUS RUNS
E.G. SEPERATED BY LIGHTING AS SHOWN HERE

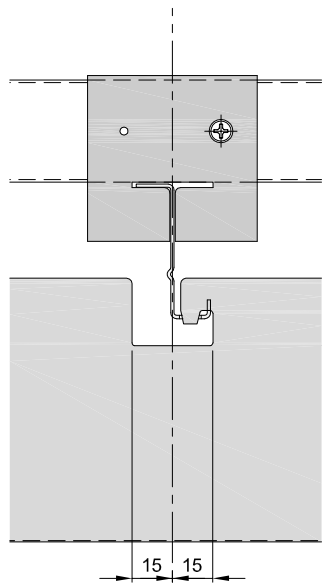


'J' BAR NOTCHED AT 30mm CTRS
PROFILE SPACING MUST BE IN
MULTIPLES OF 30mm

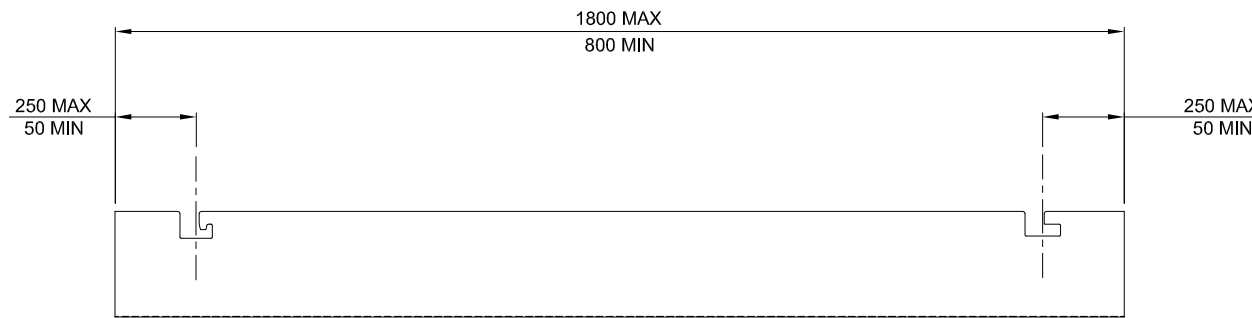
SECTION THROUGH
PROFILES
2:1



TRIPLE NOTCH
SCALE 1:5

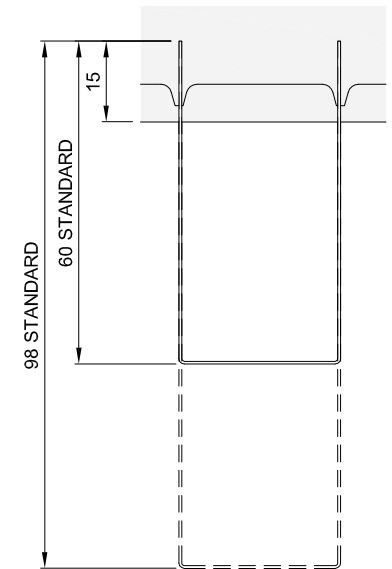


**NOTCH CENTRE LINE
REFERENCE**
SCALE 1:2



DOUBLE NOTCH
SCALE 1:5

TRIPLE NOTCH TO BE USED WHEN
PROFILE LENGTH EXCEEDS DOUBLE
NOTCH MAXIMUM



**PROFILE SECTION
STANDARD SIZES ONLY**
SCALE 1:1