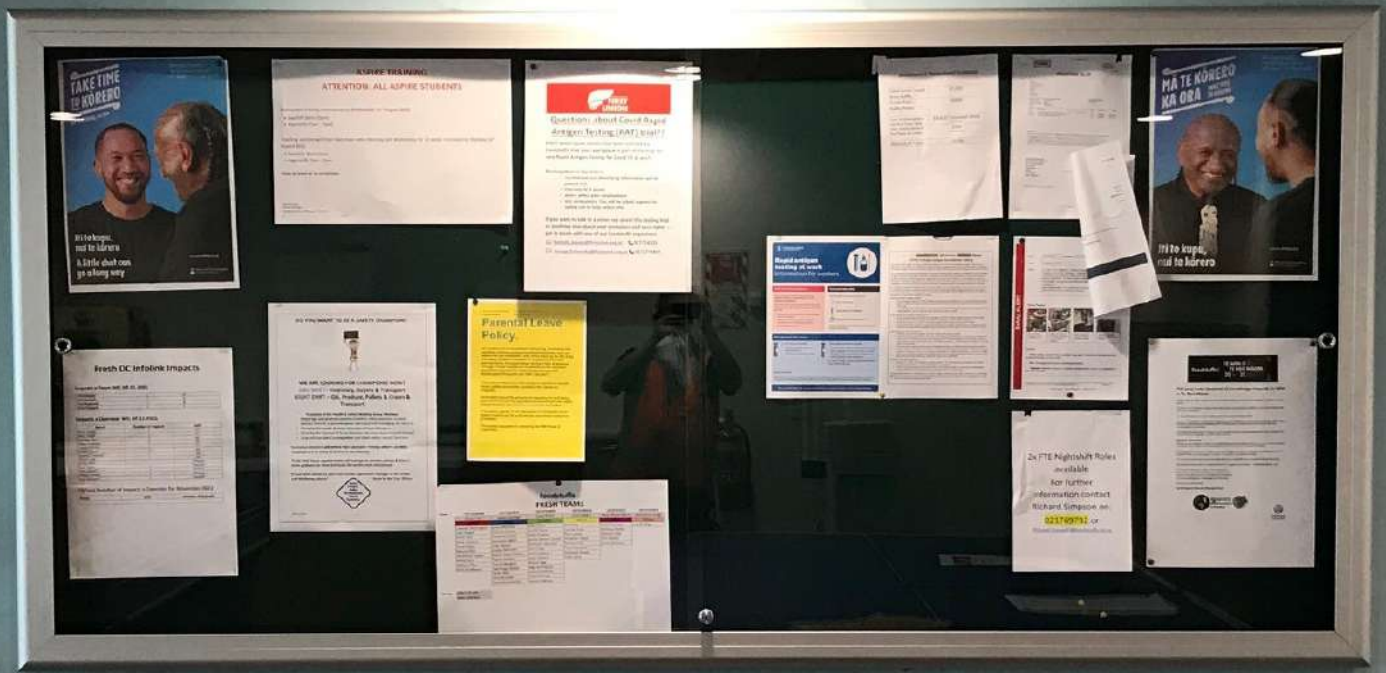




Lockable Noticeboard

- Noticeboards



Lockable Noticeboard

Our Lockable Noticeboard Cabinet is brilliant for schools, community centres, staffrooms + more. The hard-wearing aluminium frame with glass doors makes it perfect for indoor and outdoor use. As one of the strongest in the market, these lockable noticeboards are an ideal way to securely display your important information.

Features

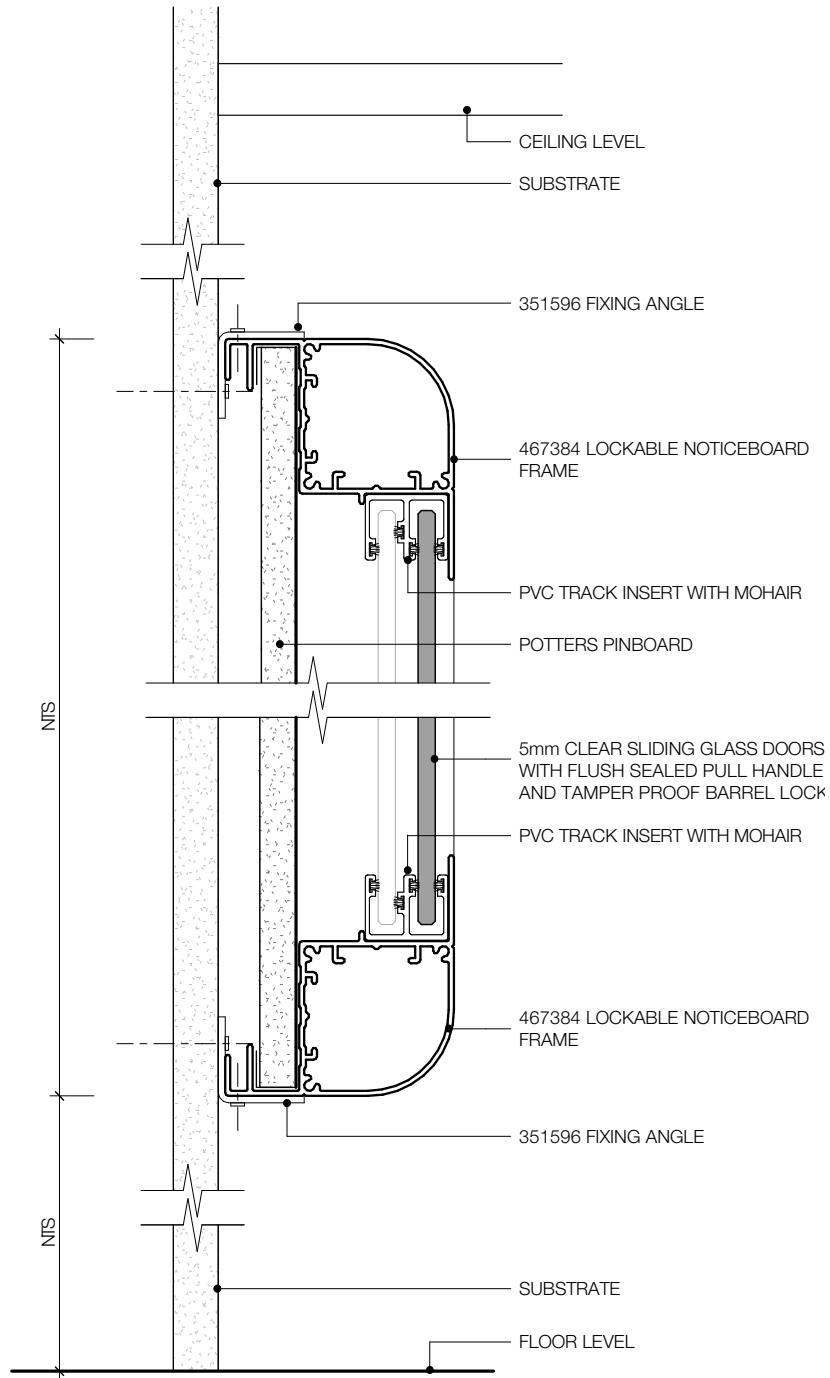
- High quality, robust aluminium framing
- Weather resistant for indoor or outdoor use
- Toughened glass sliding doors
- Tamper-proof barrell lock
- Highly durable and pin-able surface
- Standard fabric range with over 30 colours

Finishing options

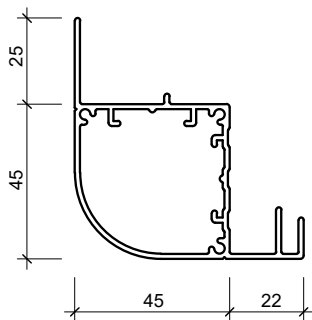
- Made to order in custom and standard sizes
- Velcro or other fabrics available

Accessories

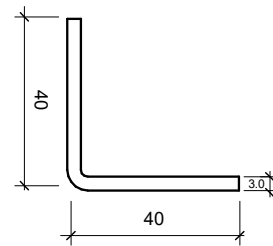
- Bracket wall fixings supplied



LOCKABLE NOTICE BOARD BRACKETED TO WALL



467384
LOCKABLE NOTICEBOARD FRAME



351596
FIXING ANGLE

Fabric Range

We offer two standard fabric ranges. The long lasting fabrics are extremely durable and suitable for use in commercial, hospitality, education and other hard-working environments.

Ranger



Quantum

