





RIGITONE ASTRAL

# INSTALLATION OVERVIEW

**This guide provides detailed installation information for the Potter Interior Systems range of perforated plasterboard used in commercial construction.**

Perforated plasterboard is ideal for installation in nearly every environment where acoustic performance is required. The range includes Rigitone and Protone products, delivered as a result of an international alliance with worldwide plasterboard specialist Saint-Gobain.

The versatile range features:

- Five Rigitone options with edge to edge pattern layouts for a monolithic, seamless design
- Three Protone contemporary grid-style patterns for exceptional acoustic performance
- Gyprock Standard 6mm Round with a traditional pattern layout and economical sound attenuation

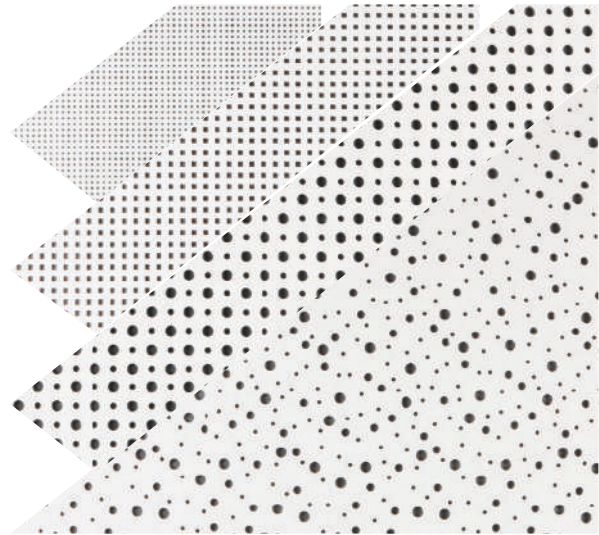
**For technical support**  
**0800 POTTERS**  
**[specsupport@potters.co.nz](mailto:specsupport@potters.co.nz)**



# THREE CORE RANGES

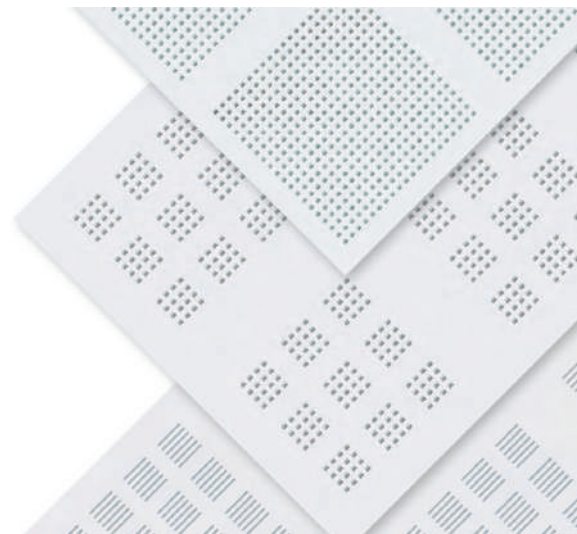
## Rigitone™ Perforated Range

Manufactured by worldwide plasterboard specialist, Saint-Gobain, Rigitone is purpose built to provide exceptional acoustic control with ultimate design freedom. High levels of acoustic absorption are achieved through a combination of perforation patterns and a highly effective acoustic fabric backing which also prevents dust from the ceiling entering the room and masks the ceiling framework. The edges of Rigitone boards are square cut and pre-primed for a unique installation method using ready-mixed Rigitone Filler, creating a continuous, seamless finish.



## Protone™ Perforated Range

Contemporary grid-style perforated patterns for exceptional acoustic performance. Flexible and standard board options with built-in Activ'Air technology. The range features three contemporary perforation patterns, each with different percentages of open area to meet most acoustic application requirements. All four edges of Protone perforated plasterboards are recessed to make flush jointing quicker and easier without the need for butt joints between full panels. The availability of seamless access panels, ensures easy access to the ceiling cavity while maintaining pattern continuity.



## Gyprock Standard 6mm Round

The traditional Gyprock perforated board product that has been extensively used throughout New Zealand for many years. It provides an economical aesthetic solution for ceilings or walls. The design features six large rectangular groupings per sheet, each with 2,100 x 6mm diameter perforations at 15mm centres to provide an open area of 8.3%. Standard 6mm Round perforated plasterboard is jointed with a three coat system and sanded smooth prior to decoration.

Products in the range should be installed and used in areas with a relative humidity not exceeding 70% for prolonged periods.



# APPLICATIONS + SPECIFICATIONS

The Potter Interior Systems range of perforated plasterboards help to create ceilings that achieve high levels of acoustic performance with an aesthetic focus. The panel perforations and white acoustic fabric backing when applied, effectively absorb sound to reduce echo and noise reverberation. Protone perforated plasterboard may also be installed on walls. (Not suitable for impact resistance).

Perforated Pattern	Features	Sheet Size (mm)	Mass	Suitable for walls	Suitable for ceilings
<b>Rigitone</b>					
Astral	Perforated gypsum board with a regularly staggered pattern consisting 12mm and 20mm round perforations spaced at 33mm centres, providing a 19.6% open area. Supplied with white acoustic fabric backing. Unique jointing method to provide a continuous pattern once finished.	1188 x 1980 x 12.5	9.5kg/m <sup>2</sup>	No	Yes
Galaxy	Perforated gypsum board with an irregular scattered pattern consisting 8mm, 15mm and 20mm round perforations, providing a 10% open area. Supplied with white acoustic fabric backing. Unique jointing method to provide a continuous pattern once finished.	1200 x 1960 x 12.5	10kg/m <sup>2</sup>	No	Yes
Matrix 12mm Square	Perforated gypsum board with a grid pattern of 12mm square perforations spaced at 25mm centres, providing a 23% open area. Supplied with white acoustic fabric backing. Unique jointing method to provide a continuous pattern once finished.	1200 x 2000 x 12.5	9.5kg/m <sup>2</sup>	No	Yes
Matrix 8mm Round	Perforated gypsum board with a grid pattern of 8mm round perforations spaced at 18mm centres, providing a 15.5% open area. Supplied with white acoustic fabric backing. Unique jointing method to provide a continuous pattern once finished.	1188 x 1998 x 12.5	10kg/m <sup>2</sup>	No	Yes
Matrix 15mm Round	Perforated gypsum board with a grid pattern of 15mm round perforations spaced at 18mm centres, providing a 19.6% open area. Supplied with white acoustic fabric backing. Unique jointing method to provide a continuous pattern once finished.	1200 x 2010 x 12.5	10kg/m <sup>2</sup>	No	Yes
<b>Protone</b>					
12mm Square	Perforated gypsum board with square holes of 12 x 12mm. Total perforated area of 16%. Supplied with white acoustic fabric backing.	1200 x 2400 x 12.5	8kg/m <sup>2</sup>	Yes	Yes
12mm Square Minigrad	Perforated gypsum board with square holes of 12 x 12mm set in a mini grid layout. Total perforated area of 6%. Supplied with white acoustic fabric backing.	1200 x 2400 x 12.5	8kg/m <sup>2</sup>	Yes	Yes
Slotted Minigrad	Perforated gypsum board with rectangular holes of 6mm x 80mm. Total perforated area of 13%. Supplied with white acoustic fabric backing.	1200 x 2400 x 12.5	8kg/m <sup>2</sup>	Yes	Yes
Protone Access Panel	Perforated gypsum-only construction access panel which fully integrates with the corresponding Protone board creating a seamless aesthetic finish.	Frame 600 x 600mm	0.9kg	N/A	Yes
		Hatch 510 x 510mm	3.6kg	N/A	Yes
<b>Gyprock Standard</b>					
6mm Round	Perforated gypsum board with round holes of 6mm diameter. Total perforated area of 8.3%	1200 x 3600 x 13	10kg/m <sup>2</sup>	Yes	Yes

# RIGITONE PERFORATED CEILING SYSTEM FOR FLAT INSTALLATIONS

## DESIGN CONSIDERATIONS

- Choose a board and confirm the size
- Determine the ceiling area
- Plan the ceiling grid and furring channel layout based on Table 2 and the size of the decorative border. Refer to Figure 2 and Figure 11
- When required, plan for a decorative border using 13mm Gyprock Standard Plasterboard. For perimeter details refer to Figure 5, Figure 6 and Figure 7
- Adequate independent or additional support must be provided for services and lighting systems
- Diagonal bracing may be required to resist earthquake actions

**Table 2: Furring Channel Spacing – Rigitone**

Perforated Plasterboard	Furring Channel Spacing
Rigitone Astral	330
Rigitone Galaxy	327
Rigitone Matrix 12mm Square	333
Rigitone Matrix 8mm Round	333

## CONCEALED GRID CEILING SUSPENSION SYSTEM

Rigitone perforated boards may be fixed directly to steel furring which is part of a concealed grid suspended ceiling frame as detailed in Figure 2.

These systems are NON-TRAFFICABLE and are not designed to resist the weight of foot traffic. Where access to the ceiling area is required, install a Rondo Walkabout Ceiling System.

Potter Interior Suspended Ceiling Systems comprise of suspension brackets fixed to the supporting structure, suspension rods, suspension clips, top cross rails, and a locking key for coupling to the furring channel. Refer to Figure 1.

Rondo N°155 furring channels must be used at all board joins. Rondo N°129 furring channels are narrower and may be used at other locations.

Where Top Cross Rails are not continuous, they must be joined as shown in the suspended ceiling components details. Joins must be aligned with hanging points.

For installation requirements, refer to details in this guide and Rondo Building Services specifications.

**Figure 1: Key-Lock Concealed Grid Suspended Ceiling Components**  
(Refer to Rondo Building Services literature for additional information)

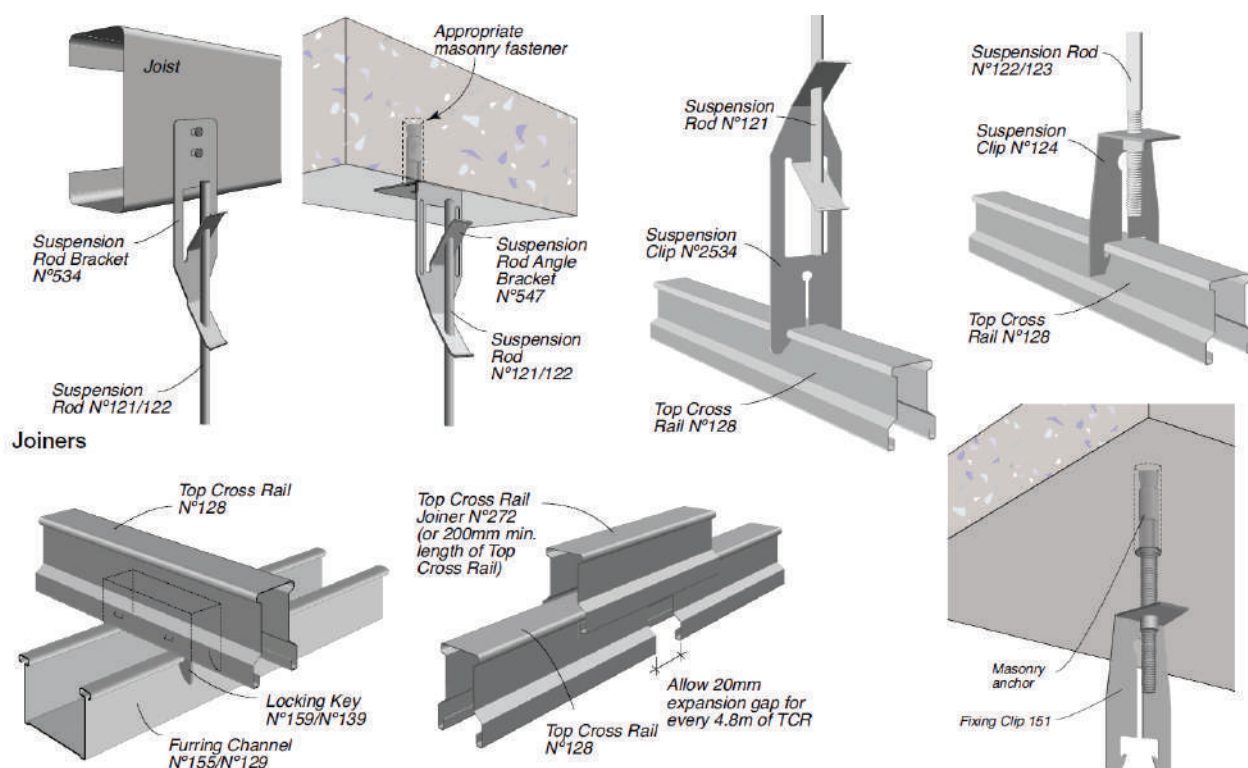
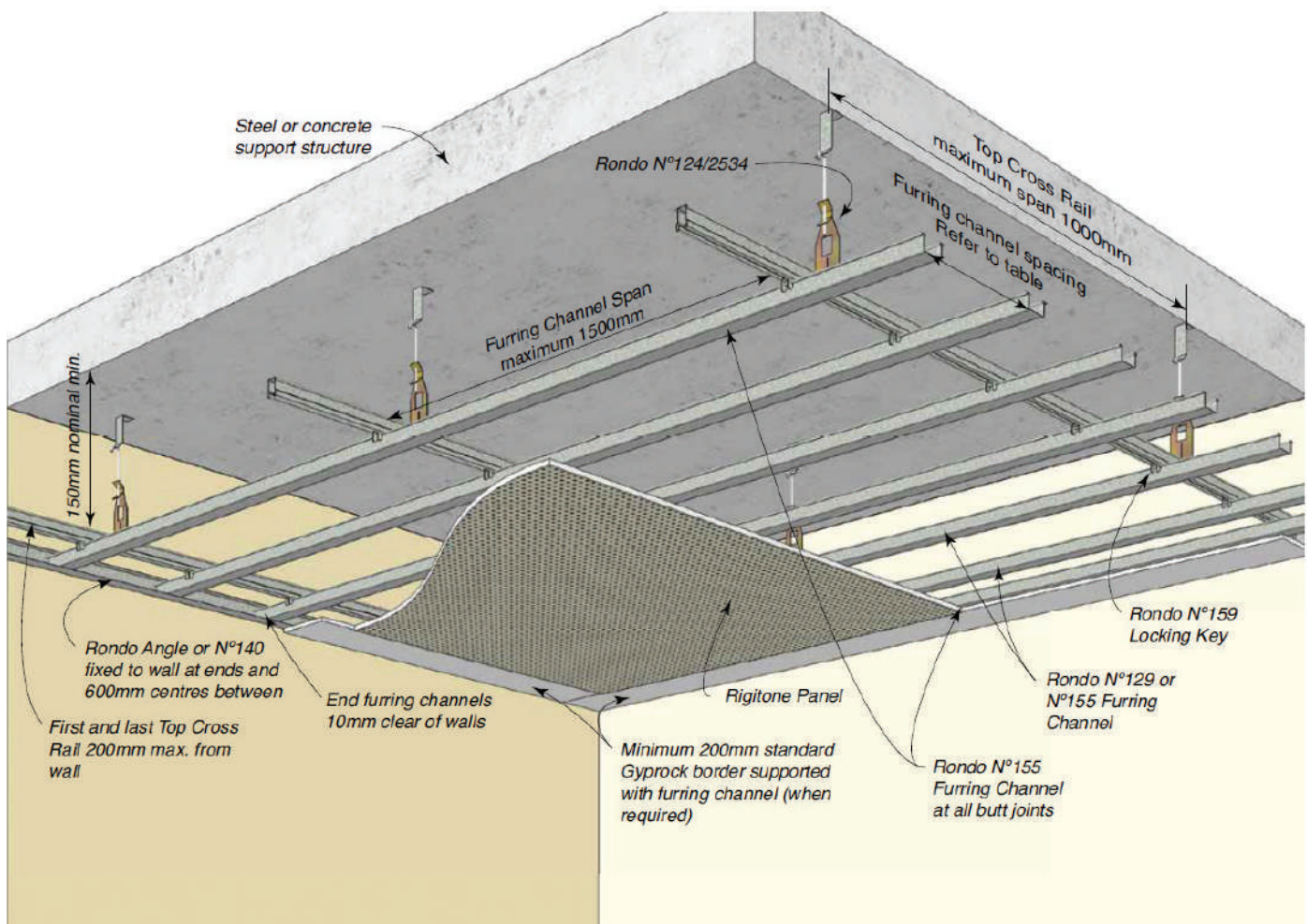


Figure 2: Rigitone Concealed Grid Suspended Ceiling



## CONTROL JOINTS

Rigitone installations require control joints to be installed at 10m maximum centres in both directions.

Control joints are also to be provided:

- At all construction joints of the building
- At junctions with other building elements
- At changes of structural support systems
- Other locations as specified

Figure 3: Control Joint – Parallel To Furring Channel

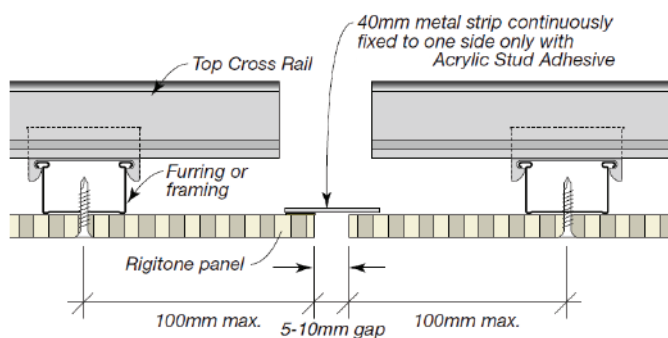
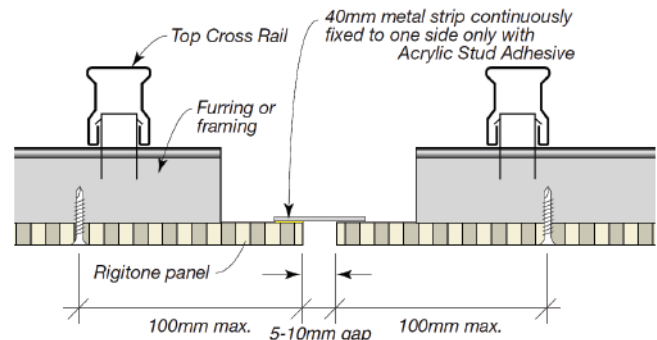


Figure 4: Control Joint Perpendicular To Furring Channel



NOTE: To maintain appearance, ensure Acrylic Stud Adhesive does not intrude into the gap.

## PERIMETER DETAILS

Rigitone ceilings can be finished in a range of perimeter details. Rigitone panels (even with a standard plasterboard border) should not be fixed to perimeter walls as the suspended ceiling system must be able to move independently of the structure.

Figure 5: Perimeter Detail – Wall Angle Trim

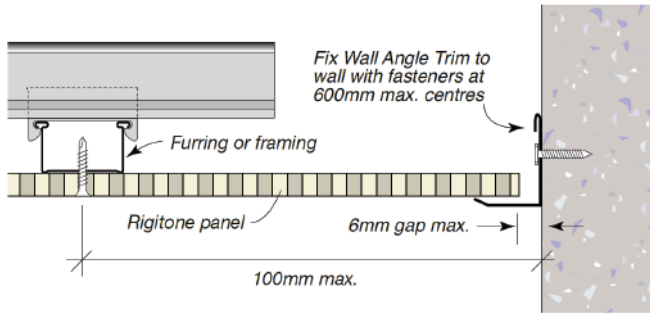


Figure 6: Perimeter Detail – Shadowline

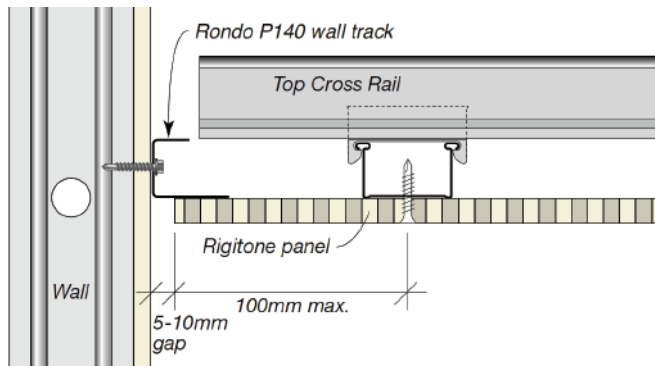
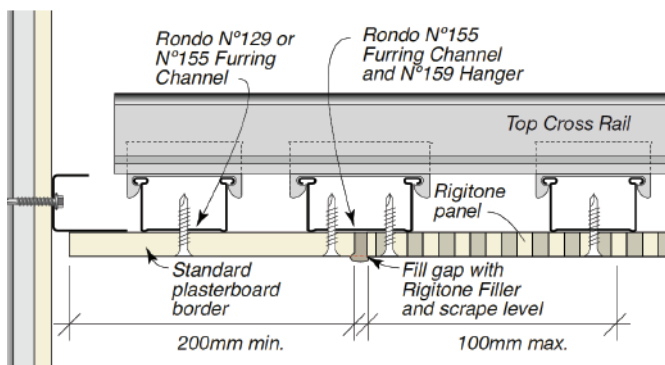


Figure 7: Perimeter Detail – Standard Plasterboard Border



## INSTALLATION OVERVIEW

1. Install boards from the centre of the room with the long edge of the boards at right angles to the furring channels
2. Use the pattern specific spacer tool, to ensure the correct alignment of the boards
3. Screw fix boards in accordance with this guide
4. Fill gaps between boards using Rigitone Filler in conjunction with the specialised Rigitone Filler Accessories Kit, barrel gun and nozzles. Allow to dry for approximately 20-30 minutes
5. Cover all screw heads using Rigitone Filler and the screw filler template from the Accessories Kit. Allow to dry for approximately 20-30 minutes
6. Scrape off excess filler from joints and screw heads
7. Sand joints and screw heads
8. Paint and finish as required

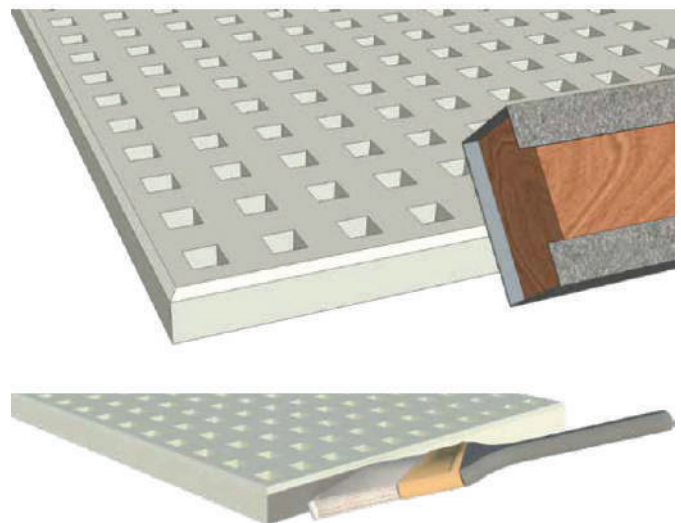
NOTE: For all cut boards, bevel the cut edges, then paint the edges with Rigitone Primer.

## INSTALLATION PROCEDURE

### Board Preparation

When required, boards are to be cut using a hand or power saw. It is not recommended to score and snap Rigitone boards. Prepare any cut edges by beveling them slightly using a hand sander and then apply Rigitone Primer sealing agent to all cut board edges.

Figure 8: Preparing Rigitone Boards





## Board Layout + Installation

Mount the first board in the centre of the room. Use an alignment line or preferably a fixed edge guide to ensure the board is properly aligned before screwing it into place. Refer to Figure 11.

Rigitone boards must be installed with the long edges at right angles to the furring channels and ends of boards must be supported by furring channels.

Boards should be fastened into place using 6g x 25mm needle point screws at 15mm min. from board ends, 50mm minimum from the long edges and at 170mm maximum centres. Refer to Figure 9.

Always fasten the short edges of the board first, then the long edges and body.

Ensure boards are level and in full contact with the furring channel before screw fixing. Refer to Figure 10.

Any slight unevenness in the surface under the boards can be compensated by loosening the screws slightly.

Work outwards from the centre of the room in a star pattern when mounting subsequent boards, making sure that they are all laid in the same direction (see markings on the ends and lettering on the long edges of the boards).

Figure 9: Rigitone Board Fixing Locations

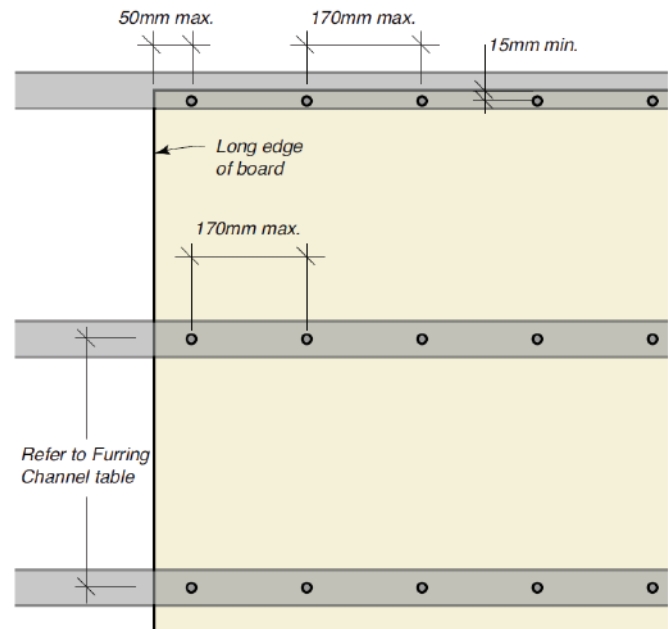


Figure 10: Board Support

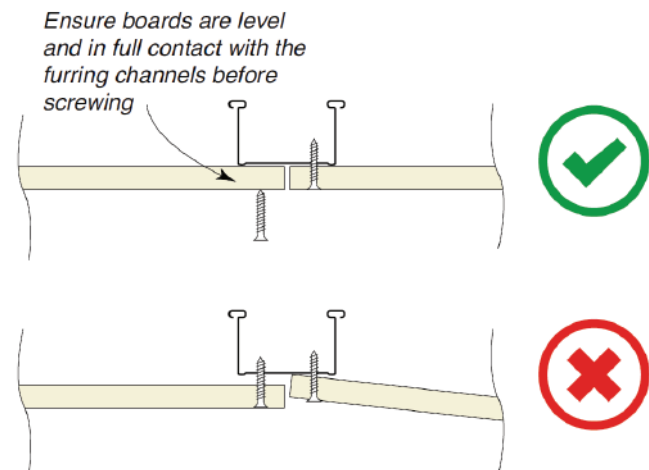
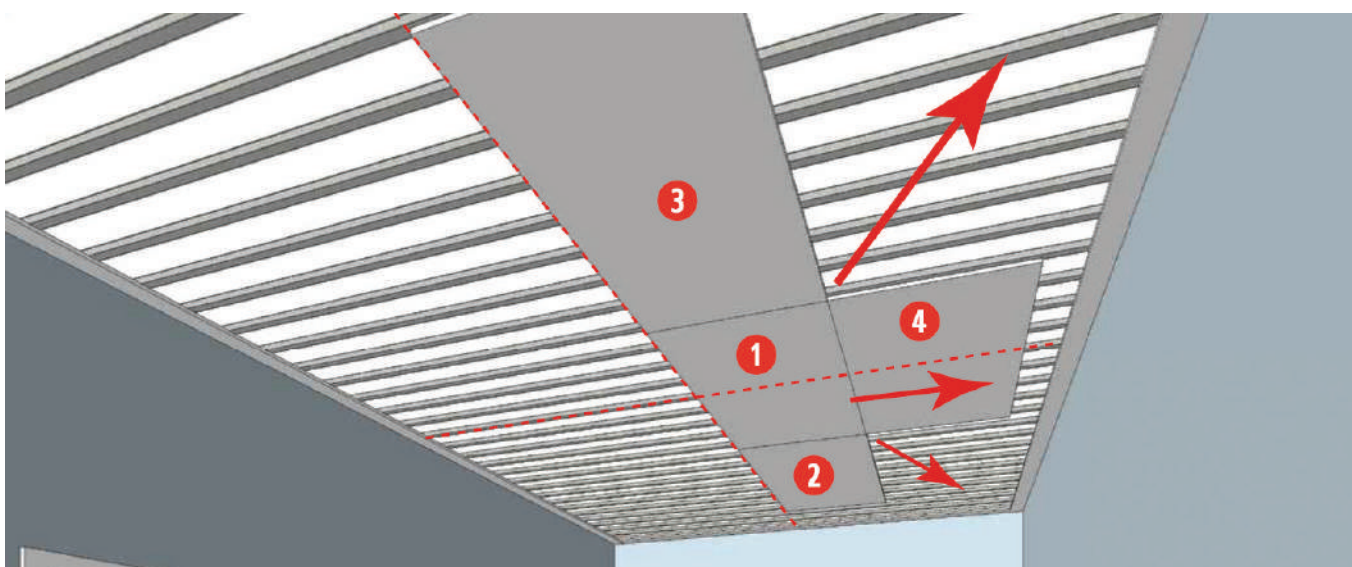


Figure 11: Rigitone Board Installation Order



Once the first board is installed correctly, use the appropriate pattern spacing tool to align all boards evenly and to maintain the required joint space. Refer to Figure 12.

Continue installation of boards in the order recommended in Figure 11. Refer to Figure 5, Figure 6 and Figure 7 for perimeter finishing options.



Figure 12: Rigitone Pattern Spacer Tool

## JOINTING + FINISHING

Jointing of boards is completed using specialised Rigitone products:



Rigitone Barrel Gun



Two Rigitone nozzle connectors



Two Rigitone nozzles



Rigitone cleaning brush



Rigitone notched joint knife



Rigitone screw head template



Rigitone Filler - 600ml sausage

Figure 13: Rigitone Filler

Ready-to-use filler for Rigitone joints. Applied using the Rigitone Filler Accessory Kit.

Figure 14: Rigitone Primer

Colourless primer for sealing cut edges of Rigitone plasterboard. Applied using a small brush.

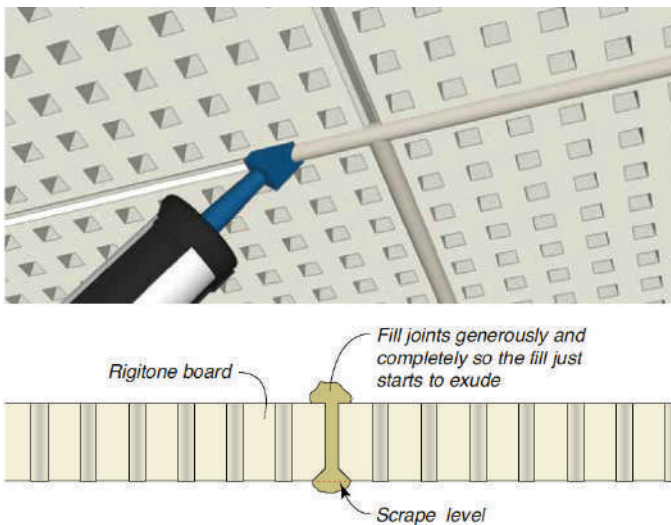


Rigitone Primer - 5 litre container

## Joint Filling

Fill the joints generously and completely leaving a slightly raised bead at the face of the board and so that the filler starts to exude from the back of the joint.

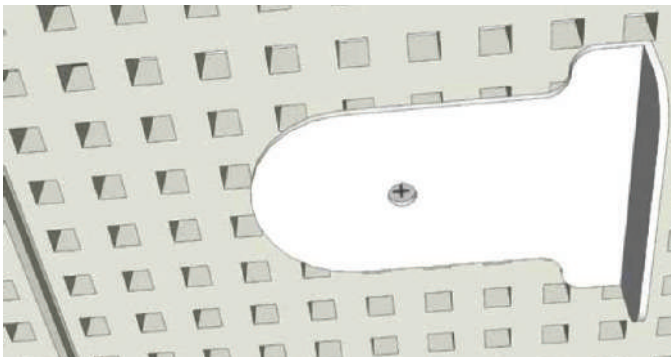
Figure: 15 Joint Filling



## Screw Covering

Using the Rigitone screw head template, cover and slightly overfill the screw heads.

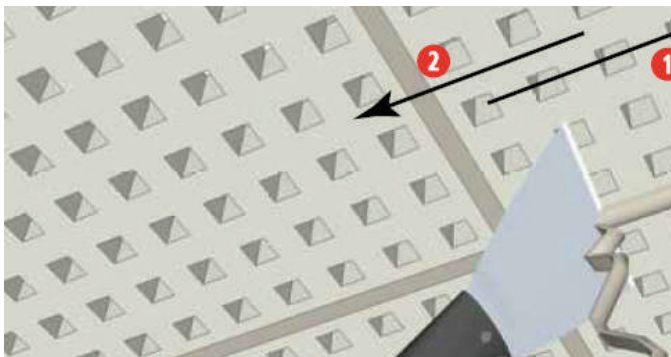
Figure: 16 Screw Covering



## Joint Finishing

After 20-30 minutes, carefully remove the slightly hardened excess joint filler from joints and screw heads using the specialised notched joint knife, moving in one direction then pass back over the joints in the other direction to smooth the surface.

Figure: 17 Joint Scraping



After approximately 24 hours, the joints and covered screw heads can be sanded and prepared for painting. Heavy sanding should be avoided as it may result in surface damage.

## PAINTING

AS/NZS2311 requires that a sealer plus two coats of water based paint must be applied as a minimum. Such a system will provide a surface with minimal difference in texture and porosity.

Finishing of Rigitone boards is to be done with a short haired mohair roller to avoid excessive paint entering the perforations. Spray painting is NOT permitted as paint will impair the acoustic fabric thus degrading the acoustic properties.

## HANDLING + STORAGE

All materials must be kept dry, preferably stored inside. Care should be taken to avoid sagging or damage to ends, edges and surfaces of boards.

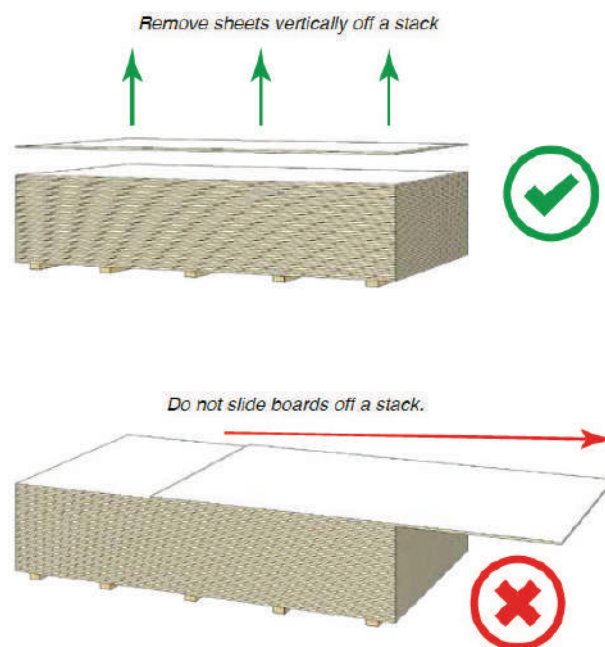
All Rigitone boards must be stacked flat, properly supported on a level platform or on support members which extend the full width of the boards and which are spaced at a maximum of 350mm.

If stored outside, boards must be stored off the ground, stacked as detailed and protected from the weather.

Buildings should be sealed against water ingress before plasterboard is installed. It is recommended that plasterboard damaged by water is replaced.

Boards must be dry prior to fixing, jointing and finishing.

Figure: 18 Board Handling



# RIGITONE ACCESS PANEL INSTALLATION

Rigitone Access Panels are designed to match the perforation patterns of the individual boards with minimal visible interruption of the pattern.

Access Panels for Matrix 8mm Round, Matrix 12mm Square and Astral include a perforated panel infill to match the sheet pattern when the cut-out is located between rows of perforations.

Rigitone Galaxy Access Panels require a cut-out piece to be attached, sourced from the fixed Galaxy sheet to ensure the pattern continues undisturbed.

A minimum plenum depth of 140mm is required to insert the Access Panel from the finished side.

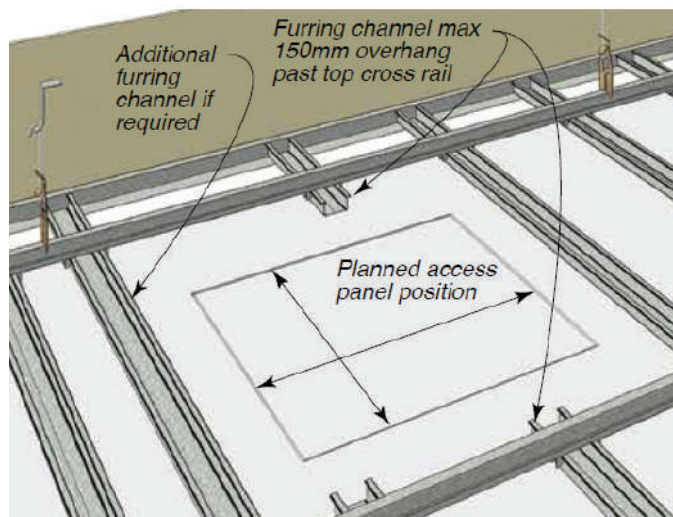
**Table 3: Critical Dimensions for 500 x 500mm (nominal) Rigitone Access Panels**

Hatch	Cut Opening	Formed Opening
Rigitone Matrix 8mm Round	518 x 518mm	501 x 501mm
Rigitone Matrix 12mm Square	510 x 510mm	493 x 493mm
Rigitone Astral	528 x 528mm	513 x 513mm
Rigitone Galaxy	515 x 515mm	500 x 500mm

## INSTALLATION PROCEDURE

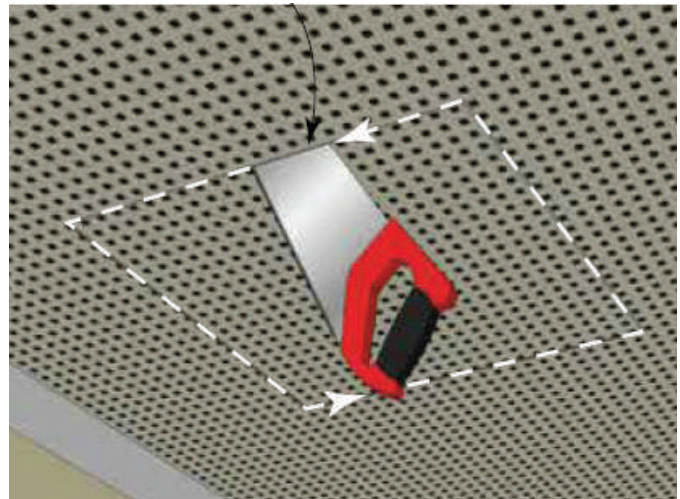
**Figure 19: Plan Ceiling Layout**

The ceiling grid layout must be prepared with respect to the Access Panel location. Furring channels are to be located or terminated between 40 and 100mm from the opening, and additional cross rails may be required.



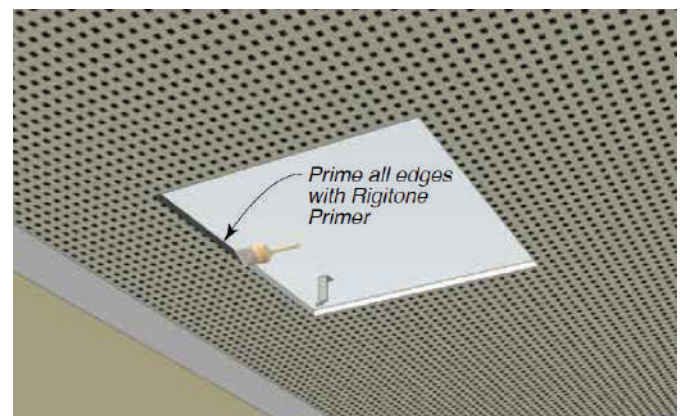
**Figure 20: Cut Opening**

Using a hand saw, cut out the required hole size to install the Rigitone access panel.



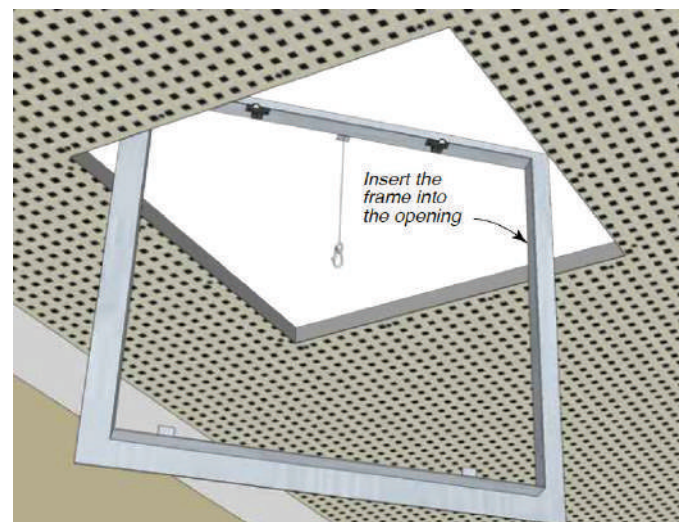
**Figure 21: Bevel Panel Edges**

Bevel the cut edges of the hole with a sanding block and prime all cut edges of the opening with Rigitone Primer.



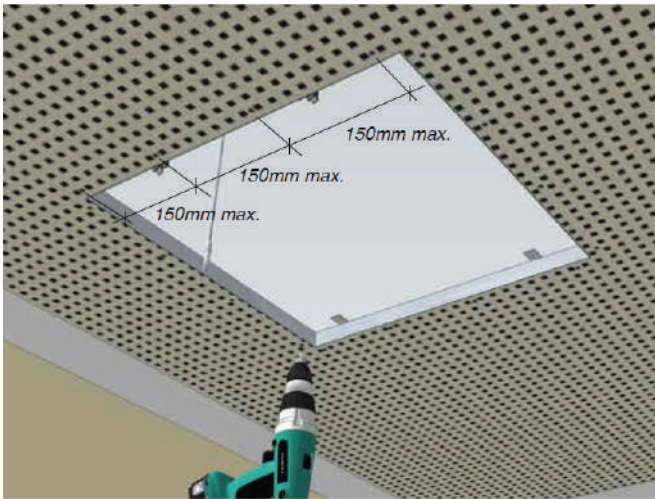
**Figure 22: Position Frame**

Insert the access panel frame through the opening and position squarely in the cut-out.



### Figure 23: Install Panel Frame

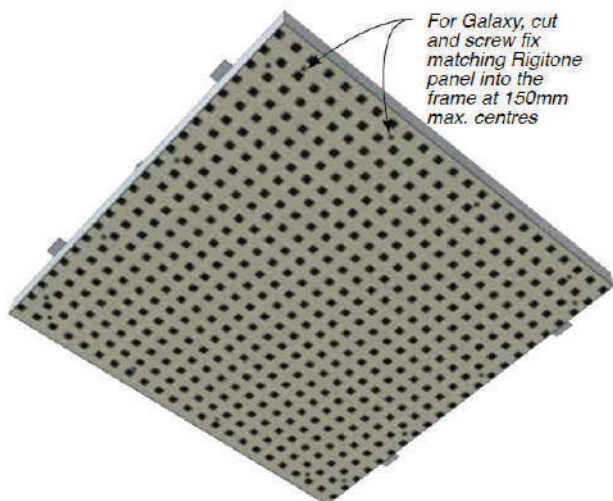
Screw fix the access panel frame through the Rigitone panels at 50mm from corners and 150mm max. centres on all sides.



### Figure 24: Panel Door Preparation

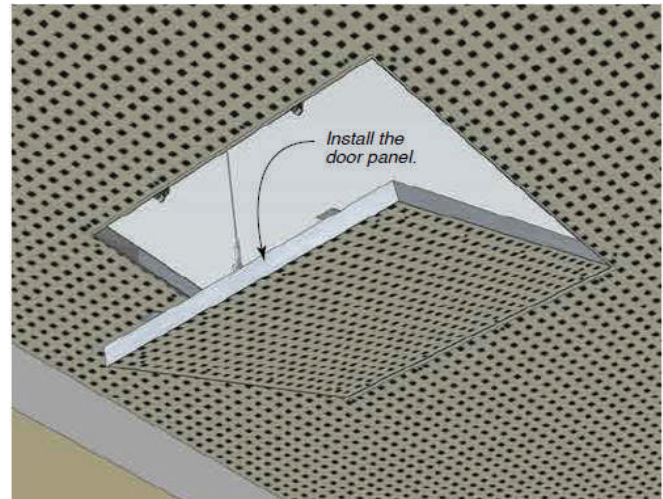
A matching door panel is required to be cut and installed into the door frame. It is recommended that the door panel be cut from a new sheet of Rigitone plasterboard, helping to achieve a superior finish.

The cut panel should fit snug into the door frame and be screw fixed at 150mm centres and the edges should be filled with Rigitone Filler.



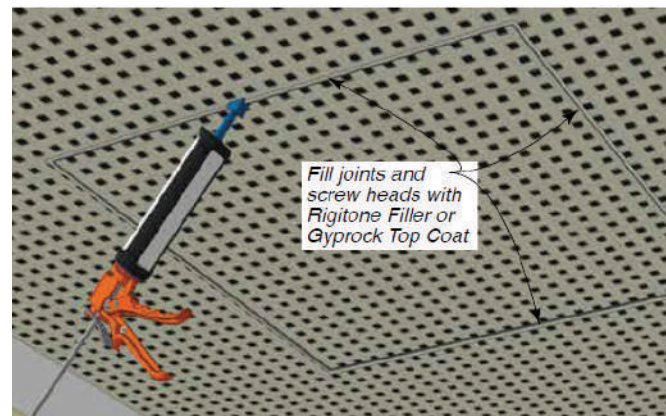
### Figure 25: Rigitone Door Install

Install the door panel. Engage the hinge tabs, hook the retaining chord to the door frame. Push the door closed and latch closed.



### Figure 26: Joint/Screw Filling

Fill all gaps between plasterboard and framing and cover screw heads with Rigitone Filler. Once dry, scrape back and sand, ready for finishing.





# PROTONE PERFORATED CEILING SYSTEM FOR FLAT INSTALLATIONS

## DESIGN CONSIDERATIONS

- All Protone boards are 2400 x 1200 x 12.5mm
- Plan the ceiling grid and furring channel layout based on Table 4
- Plan for a decorative border using 12.5mm Protone Base Plasterboard
- Maximum point load is 3kg, adequate independent or additional support must be provided for services or lighting systems which exceed this limit
- Install control joints at 12m maximum centres

### Steel Furring Channel Direct Fixed To Structural Support

Protone plasterboard may be fixed directly to steel furring which is held by appropriate direct fixing clips attached to a structural support.

Refer to Figure 27 and Figure 28.

Direct fixing clips provide some vertical adjustment to enable accurate levelling of the furring. After levelling, side fix brackets should be permanently fixed in place by two screws. Furring channels then snap fit into the clips.

The ceiling drop should be limited to 200mm maximum with these attachment systems.

Install brackets to ensure there is a clearance between joist and furring of 10mm minimum. Refer to Table 4 for grid span and spacing information.

Figure 27 : Steel Furring Channel Direct Fixing Methods

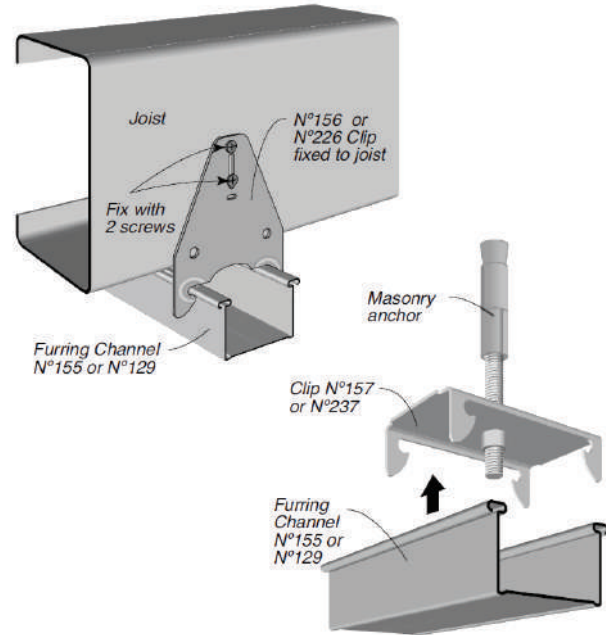
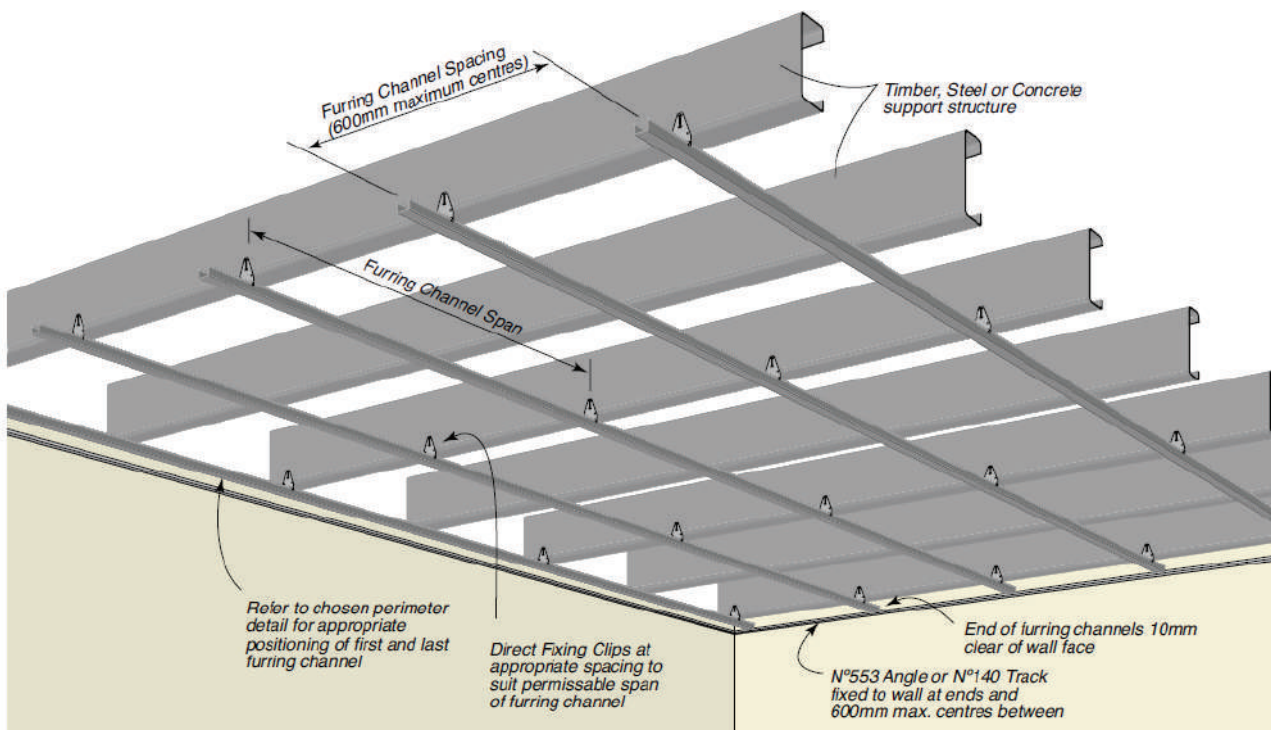


Figure 28: Protone Steel Furring Channel Direct Fixed To Framing



# CONCEALED GRID CEILING SUSPENSION SYSTEM

Potter Interior Systems perforated boards may be fixed directly to steel furring which is part of a concealed grid suspended ceiling frame as detailed in Figure 30.

These systems are NON-TRAFFICABLE and are not designed to resist the weight of foot traffic. Where access to the ceiling area is required, install a Rondo Walkabout Ceiling System.

Potter Interior Suspended Ceiling Systems comprise suspension brackets fixed to the supporting structure, suspension rods, suspension clips, top cross rails, and a locking key for coupling to the furring channel. Refer to Figure 29 and Figure 30.

Rondo N°155 furring channels must be used at all butt joints. Rondo N°129 furring channels are narrower and may be used at other locations.

Where Top Cross Rails are not continuous, they must be joined as shown in the suspended ceiling components details. Joins must be aligned with hanging points.

For installation requirements, refer to details in this guide and Rondo Building Services specifications.

Table 4 : Furring Channel Specifications

Furring Channel	N°129	N°155
Spacing max.	600mm	600mm
Span max.	1500mm	1800mm

NOTES:

Furring to be continuous over 2 or more spans.

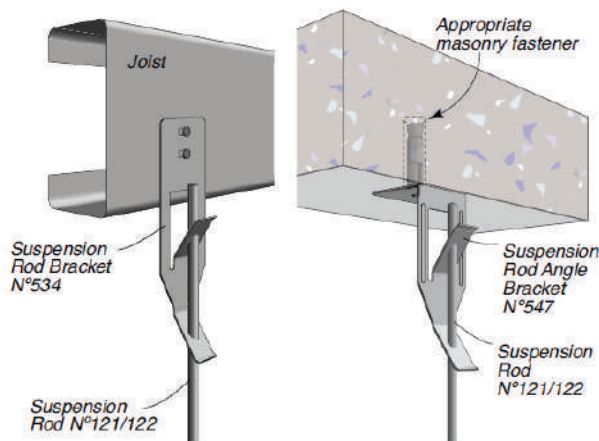
Dead load deflection – Span/360.

Including internal UDL of 0.375kPa and 3kg/m<sup>2</sup> of insulation and fittings.

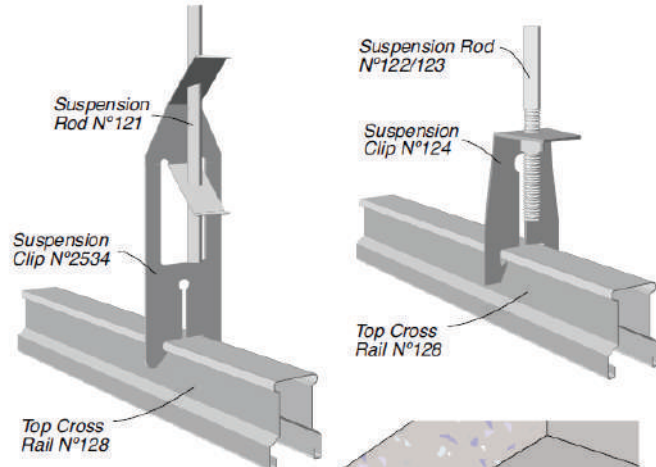
Figure 29: Key-Lock Concealed Grid Suspended Ceiling Components

(Refer to Rondo Building Services literature for additional information)

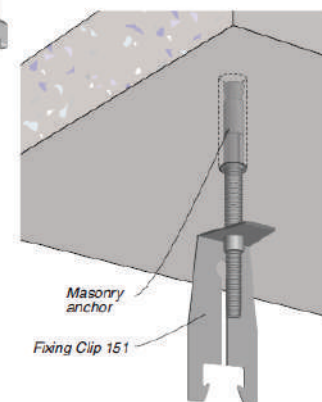
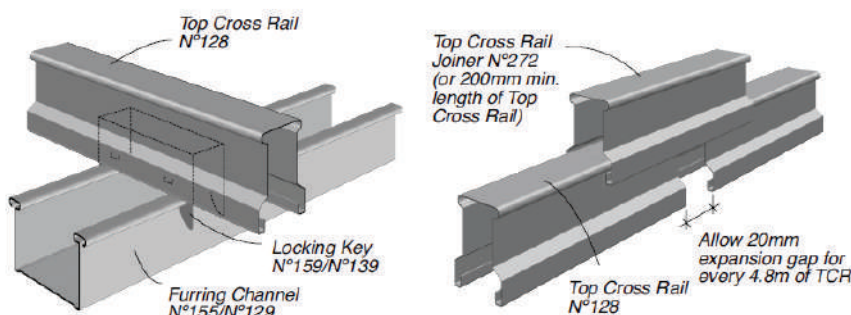
Suspension Brackets



Suspension Clips



Joiners

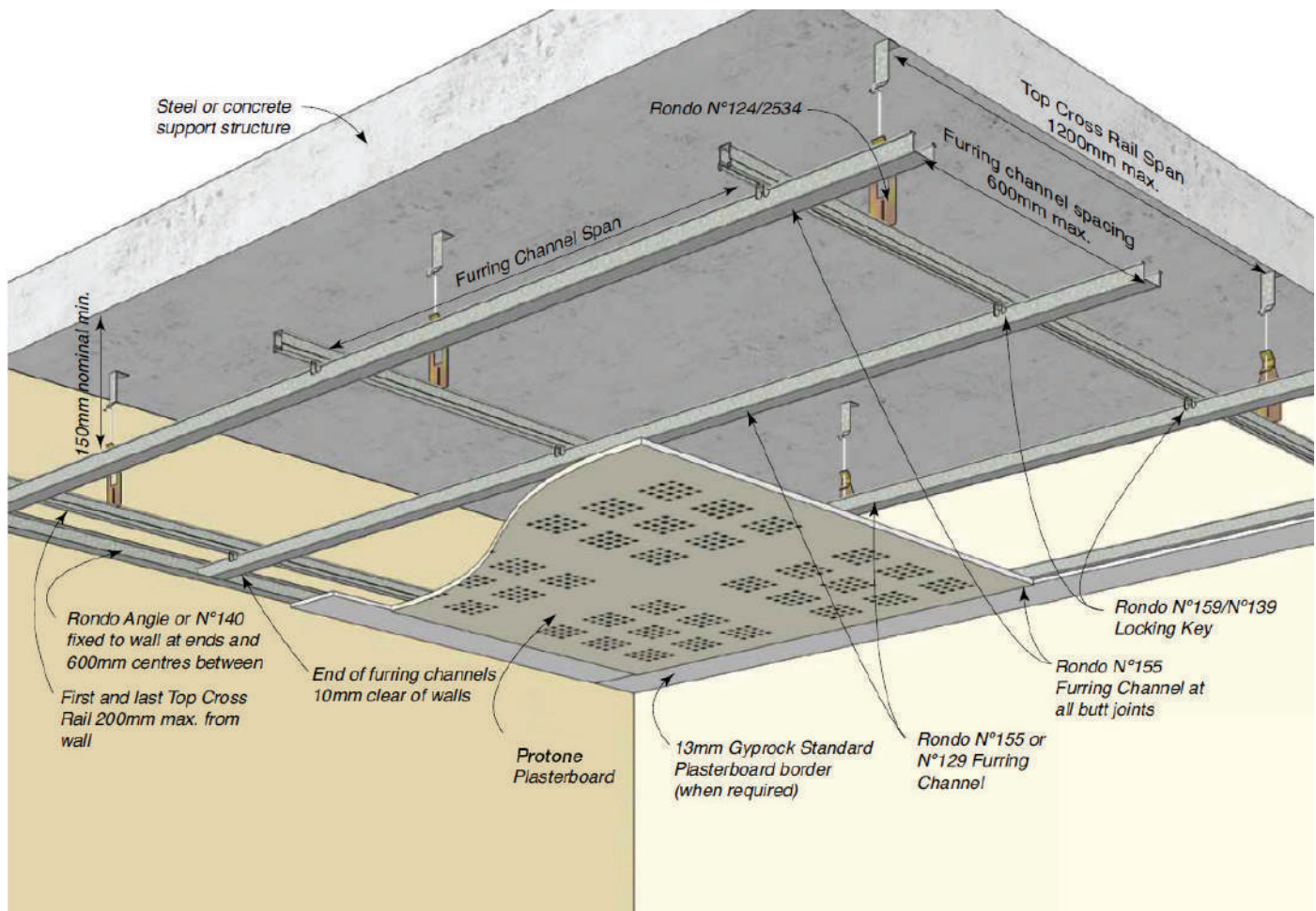




## INSTALLATION OVERVIEW

1. Protone boards must be installed with the long edge of the boards at right angles to the furring channels
2. Screw fix boards, in accordance with this guide
3. Boards should be butted hard against each other and aligned appropriately
4. Allow for a border using Protone Base Plasterboard (if required)
5. Tape and set all joints with Paper Tape and standard 3 coat compound system
6. Cover all screw heads. Sand joints and screw heads
7. Paint as required

Figure 30 : Protone Concealed Grid Suspended Ceiling



## INSTALLATION PROCEDURE

### Board Layout & Installation

1. Protone boards must be installed with the long edges at right angles to the furring channels and ends of boards must be supported by furring channels
2. Mount the first board in the centre of the room. Use an alignment line or preferably a fixed edge guide to ensure the board is properly aligned before screw fixing into place. Refer to Figure 31
3. Boards should be fastened into place using 6g x 25mm needle point screws at 15mm minimum from board ends and 50mm minimum from the long edges.
4. Screws are to be placed at 200mm max. centres at board ends and 300mm max. centres in the field of the board Refer to Figure 32
5. Always fasten the short edges of the board first, then the long edges and body
6. Ensure boards are level and in full contact with the furring channel before screw fixing. Refer to Figure 33
7. Work outwards from the centre of the room in a star pattern when mounting subsequent boards, making sure that they are all laid in the same direction

Figure 31: Protone Board Installation Order

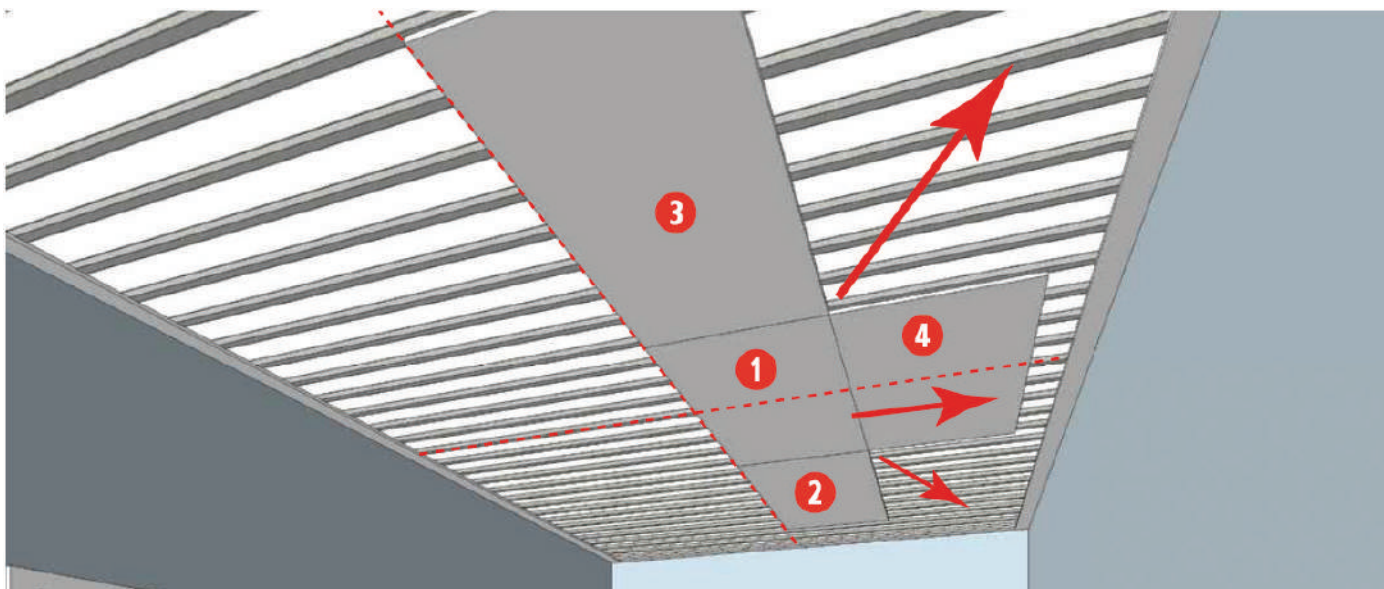


Figure 32: Protone Board Fixing Locations

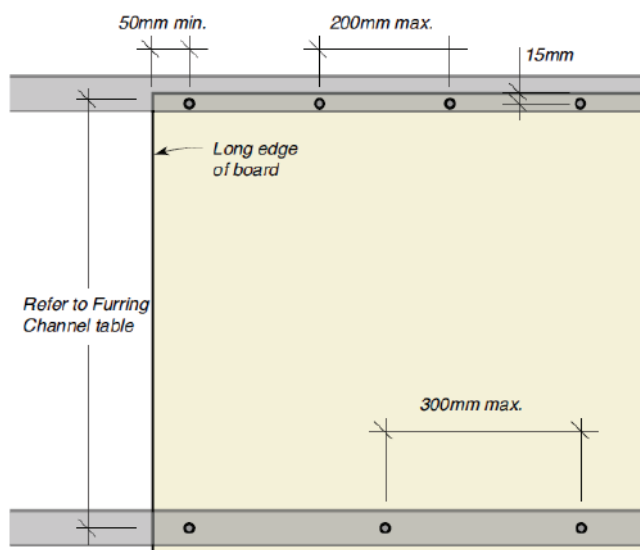
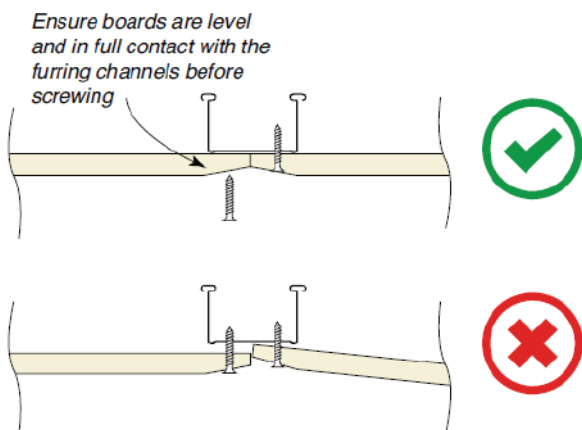
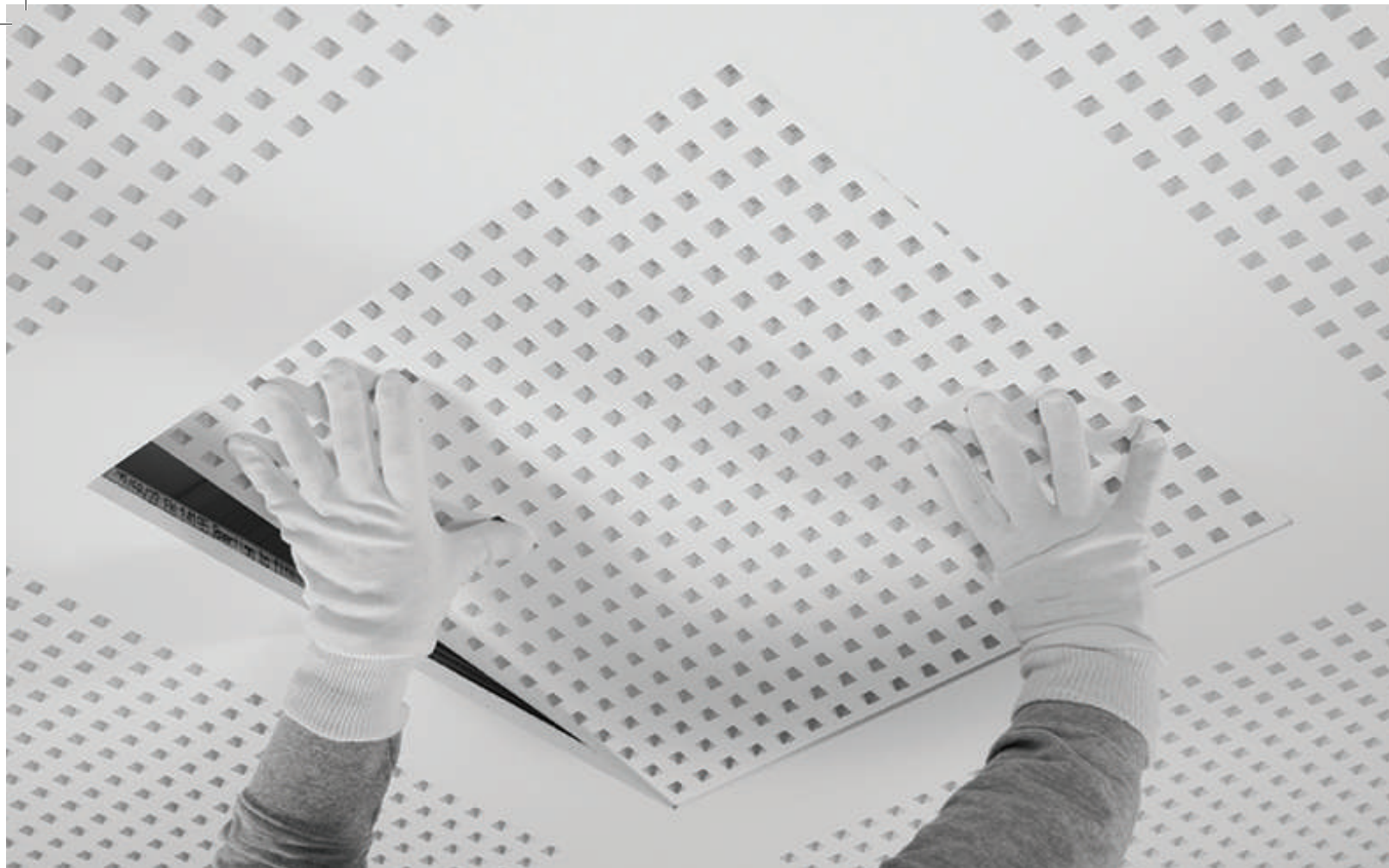


Figure 33 : Board Edge Support And Alignment







## PROTONE ACCESS PANEL INSTALLATION

Protone Access Panels allow for quick and easy access to above ceiling services and are fully integrated in the ceiling finish.

The range and aperture size makes them more practical for the user, with an opening of 510mm x 510mm.

Remember to leave a minimum of 35mm between the ceiling section and the underside of any services, to allow for removal of the hatch.

Additionally the access panels are a gypsum only construction with no metal parts, providing a much improved aesthetic finish, allowing full integration with the corresponding board.

Options are available to match all of the available Protone plasterboard sheets.

### Benefits

- Patterns match Protone boards
- Quick and easy to install
- Very neat factory cut edges – no site cutting of hatch
- Access aperture now 510mm x 510mm
- Jointless frame – seamless finish
- Frame and hatch weight: approximately 4.5kg

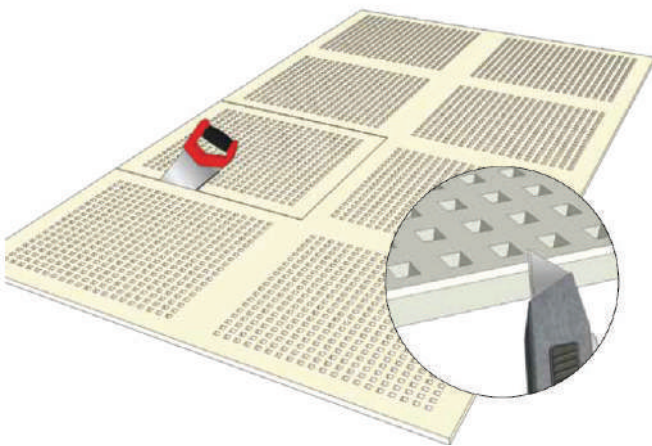
### Installation Overview

1. Select the correct hatch pattern for your chosen sheets
2. Cut the perforated board to the correct size of the panel frame, ensure the location matches the pattern
3. Hatch must be installed so that the hatch frame can be screwed into the ceiling furring channels
4. Install 2 additional furring channels at right angles to the existing channels, stop them 10mm short of the main channels
5. Joint the hatch frame using the same method as used when jointing without the use of Paper Tape
6. Finish as required

# INSTALLATION PROCEDURE

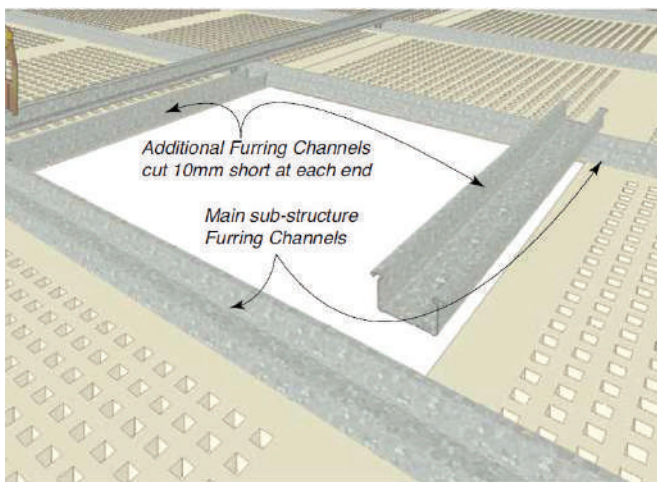
1. Remove the Access Panel from its packaging and store the hatch component in a safe area. Using the frame component, position the Access Panel on the plasterboard sheet by centering it over a perforated section. Trace around the outside of the frame, creating the cut line.
2. Cut the outlined 605mm x 605mm section from the sheet, using a hand saw. Once the section is cut away, use a retractable blade knife to bevel all edges of the cut, ready to be filled during the later stages of installation.

**Figure 34: Cutting The Opening**



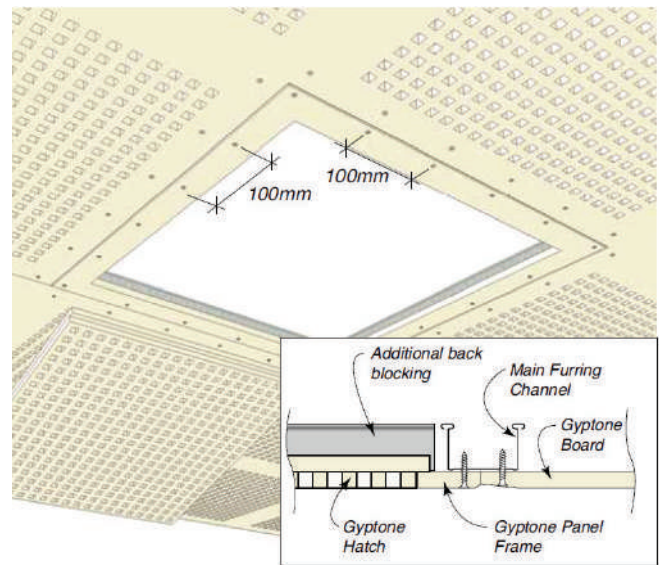
3. Install the perforated sheet onto the ceiling frame. Additional back blocking must be installed on the two unsupported hatch edges; use an off cut of furring channel cut 10mm short of the main channels. Screw fix panel to framing at 100mm centres.
4. Screw fix the Access Panel frame to the furring channels on all four sides, ensure screw placement is at 100mm centres. This must be completed on all four edges to ensure all joints are stable and to avoid reflective cracking.

**Figure 35: Back Blocking**

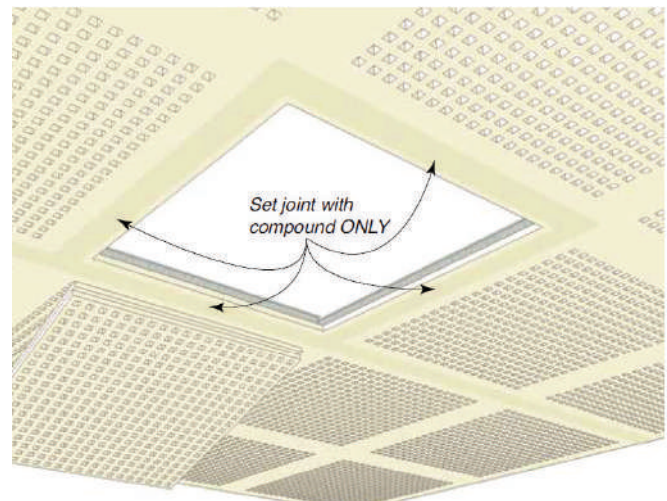


5. Set the joint between the board and the Access Panel frame using a three coat jointing system, sanding smooth between coats, and omitting the application of Paper Tape (this is not required).
6. All edges of both the frame and the hatch should be painted twice to reinforce them before the hatch is placed in position. A high vinyl content water based coating is recommended, which should be allowed to thoroughly dry to avoid sticking. All edges should be painted at the same time as the face of the ceiling panel to ensure crisp edges.

**Figure 36: Frame Installation**

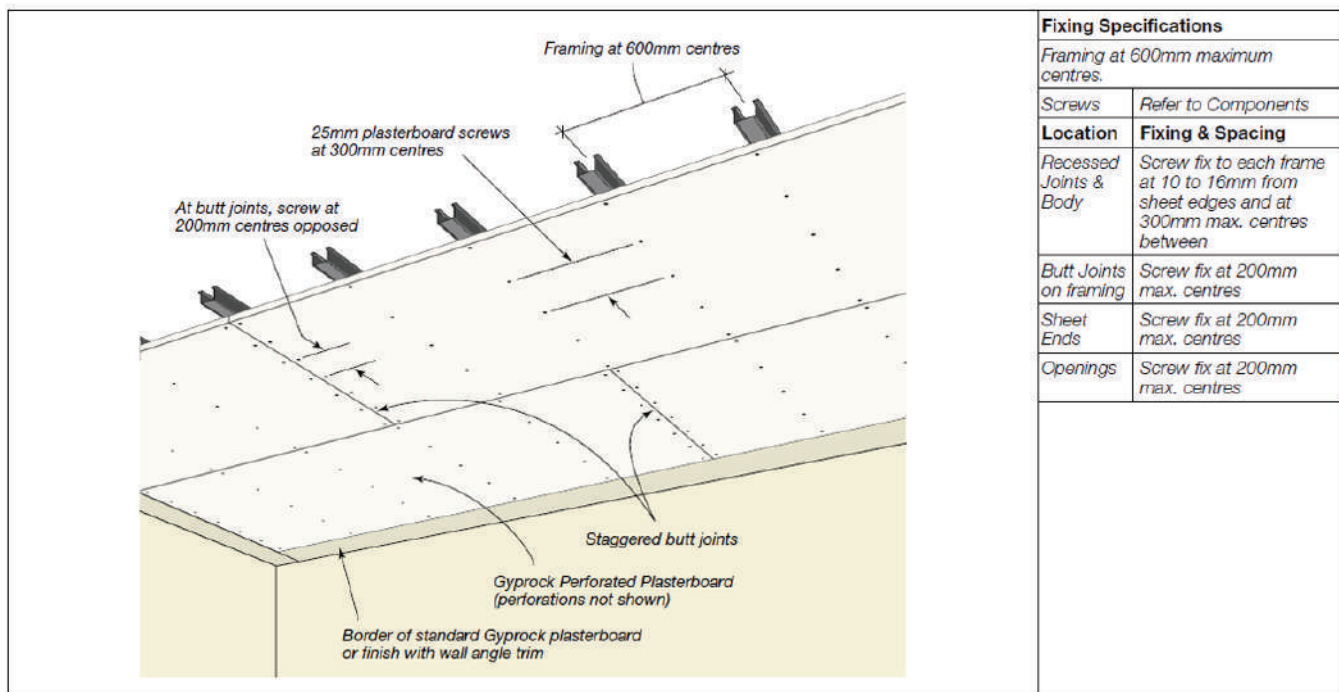


**Figure 37: Frame Jointing**



Note: When removing the hatch, ensure it is placed with the reverse side in contact with the wall or supporting surface. Avoid contact with the finished face.

Figure 38: Plasterboard Fixing – Single Layer Gyprock Standard Perforated Plasterboard – Screw Fixing



### Notes On Fixing

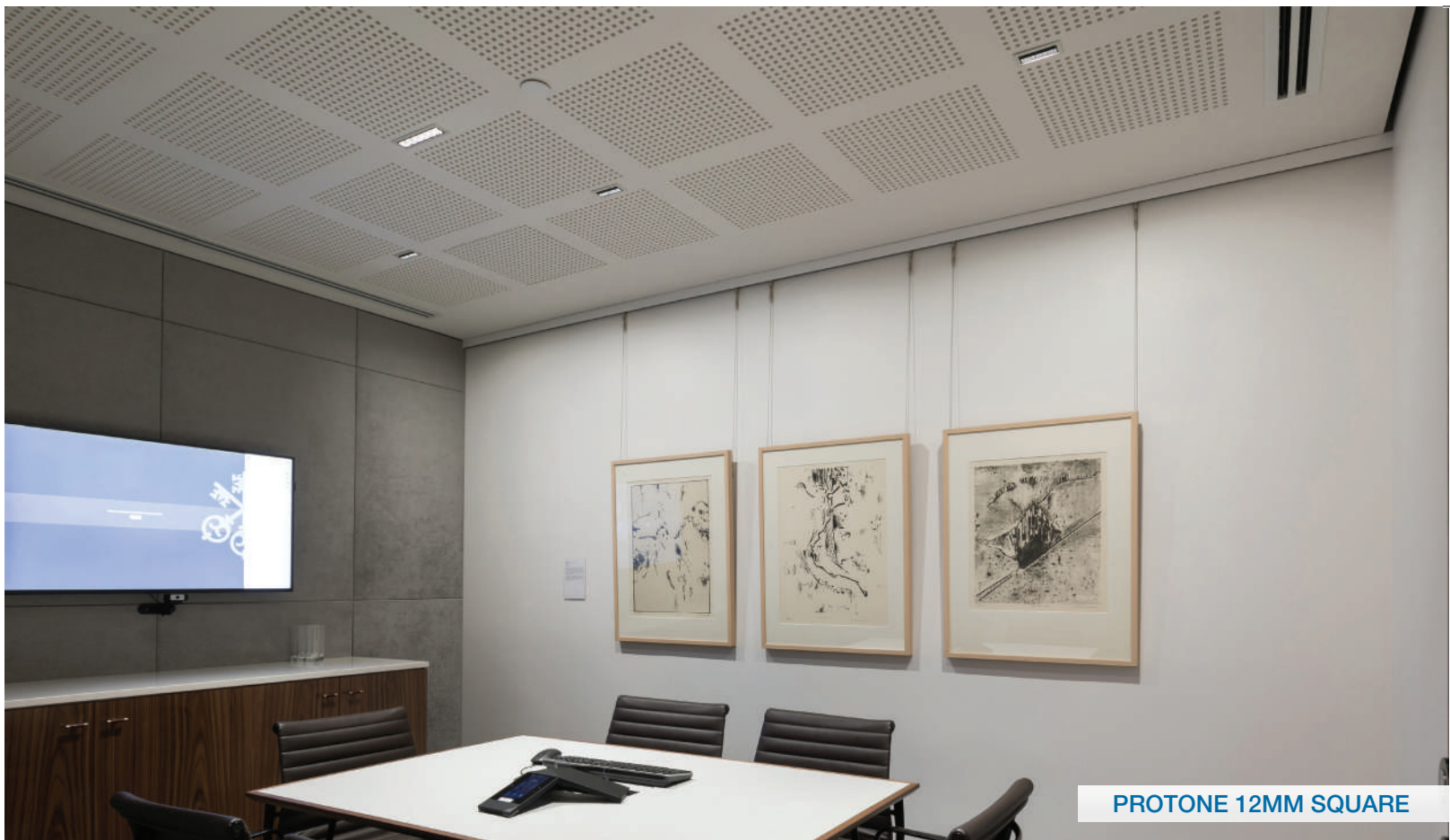
- Plan the layout of the sheets prior to application. It is recommended that a border of standard Gyprock plasterboard at least 150mm wide be provided around the perimeter of the ceiling. Suitable framing must be provided
- To align perforations, use a stringline or laser
- Framing members must be positioned at 600mm centres and coincide with non-perforated areas of sheets
- May be used in curved applications with 20m minimum radius

### Joints

- Tape and set joints using only approved jointing systems.
- Due to the location of the perforations close to the edge of panels, butt joints are of a narrower width than is normal
- Special care should be taken to ensure a good joint finish without filling of perforations

### Fixing Procedure – Sheets

- Refer to Components for fastener details
- Apply Perforated Plasterboard sheets with paperbound edges at right angles to framing members. Align pattern to previously installed sheets and screw fix as per the fixing table
- If butt joints are required, centre joints on framing members and screw fix as per the fixing table. Butt joints should be staggered in adjacent sheets
- Back-blocking is not required



## MAINTENANCE

It is important that Potter Interior Systems plasterboard products be kept dry throughout their service lifetime, and must be protected from internal and external moisture. Regular inspections of the lining system (at least annually), for signs of exposure to impact damage, cracks, moisture or mould as well as regular cleaning and re-painting to manufacturer's recommendations, will ensure the product continues to perform the function for which it was originally intended.

### Cleaning

Light marks can generally be removed with a damp cloth and should be dried thoroughly. Stubborn marks can be removed with specialty cleaners such as sugar soap, but care should be taken not to scrub, press or heavily wet the plasterboard surface.

### Mould and Mildew

Perforated plasterboard is not recommended for installation in areas subject to greater than 70% relative humidity. Mould and mildew can grow on walls and ceilings in areas where there is insufficient ventilation. An improvement to the ventilation method will dramatically reduce the likelihood of these issues.

Once ventilation has been improved it is important to remove the mould from existing surfaces and also to ensure spores are not allowed to circulate through the air.

### Fire and Smoke Damage

Potter Interior Systems plasterboard affected by smoke or fire damage is recommended to be replaced, as the heat associated with fire often impacts the performance of the lining material.

### Moisture Damage

In general, it is recommended that plasterboard be replaced after being substantially wet, such as due to burst water services or flooding. If the paper becomes wet, or is subject to any deterioration, board strength and the holding capacity of fixings may be reduced.

When subjected to minor water exposure, the plasterboard must be allowed to dry and be inspected for signs of deterioration or warping. If unaffected the plasterboard can be retained, and redecorated as desired.

In tiled areas, any cracks or damage which could allow water ingress into the wall cavity must be repaired immediately by re-stopping and repainting, or by replacing tiles, pointing or sealants.

Moisture damage also occurs from exposure to condensation and humidity, often the result of poor ventilation in areas like bathrooms, laundries and kitchens, commonly resulting in mould and mildew growth.

### Impact Damage

Minor Damage: Where only the paper surface has been scratched or dented, and the plasterboard core remains intact, the area should be lightly sanded and patched with a Gyprock topping compound. Paint as per paint manufacturer's recommendations.

Major Damage: Where there is a hole, the plasterboard core is weakened (movement at the site of damage when pressed), or the paper is damaged to the extent that the core is exposed, the damaged section of plasterboard must be replaced.



**0800 POTTERS**  
**[www.potters.co.nz](http://www.potters.co.nz)**

**AUCKLAND + HEAD OFFICE**

393 Church Street, Penrose  
Phone 09 579 1338

**HAMILTON**

127A Maui Street, Pukete  
Phone 07 846 0050

**WELLINGTON**

20 Hutt Road, Petone  
Phone 04 568 8855

**CHRISTCHURCH**

90 Antigua Street, Addington  
Phone 03 338 8763

*Building business together since 1966.*

---

Wall | Ceiling | Insulation | Passive Fire | Whiteboards + Pinboards

---