

**TIPS FOR ARCHITECTS AND DESIGNERS:
TYPICAL FOR ALL SUITES**

- 6MM - 13MM MAXIMUM LAMINATED GLASS SIZE
- 13MM PLASTERBOARD ONLY
- 105MM PROFILES = 64MM STUD
- 132MM PROFILES = 92MM STUD
- SD = SINGLE/DOUBLE ACOUSTIC WALL LININGS
- DD = DOUBLE/DOUBLE ACOUSTIC WALL LININGS
- FOR SOUND TRANSMISSION CLASS POINTS (STC) REFER TO THE POTTERS WEBSITE WWW.POTTERS.CO.NZ IN THE "PARTITIONING" SECTION

**POTTER ALUMINIUM SYSTEMS
C SERIES 45 - DETAIL REFERENCES**

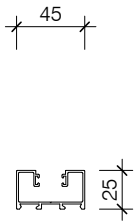
4.2.1
SHEET

SCALE

A 01/04/2020
ISSUED DATE

0800 POTTER (0800 768 837) WWW.POTTERS.CO.NZ
SUBJECT TO CHANGE WITHOUT NOTICE

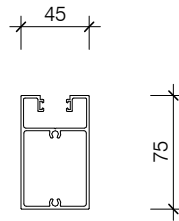
CSR



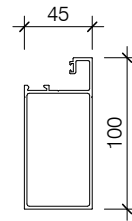
PAS002
CS45 Glazing
Mullion/Transom



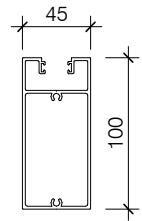
PAS004
45 GLAZING
MULLION/SILL



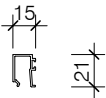
PAS004/GP
45 GLAZING/75MM
FRAME



PAS003/100GP
45 GLAZING/100MM
FRAME



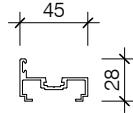
PAS004/100GP
45 GLAZING/100MM
FRAME



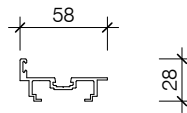
PAS005
45 GLAZING BEAD



PAS006
45 FRAME COVER



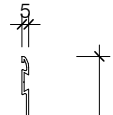
PAS007
45 DOORJAMB SUITS
DOORS TO 40MM
THICK



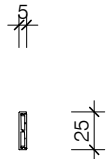
PAS008
45 DOORJAMB SUITS
DOORS TO 50MM
THICK



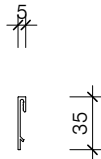
PAS009
100MM SKIRTING



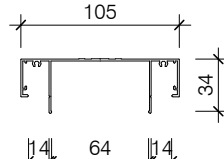
PAS009/B
150MM SKIRTING



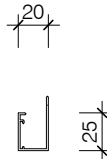
PAS009/25A-B
SKIRTING



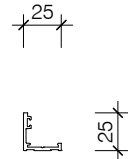
PAS009/35
35MM CLIP ON
SKIRTING



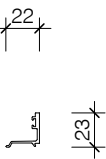
PAS010/R
105 HEAD-SILL
TRACK



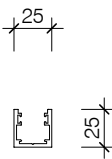
PAS012
25 EXTENDER
TRACK



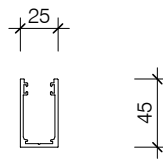
PAS044
25 GLAZING
CHANNEL FRAME



PAS045
25 GLAZING
CHANNEL BEAD



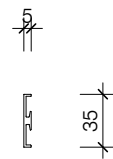
PAS046
25 GLAZING
CHANNEL



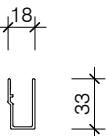
PAS047
C45 25MM X 45MM
CHANNEL



PAS600
A35 A-FRAME BAR

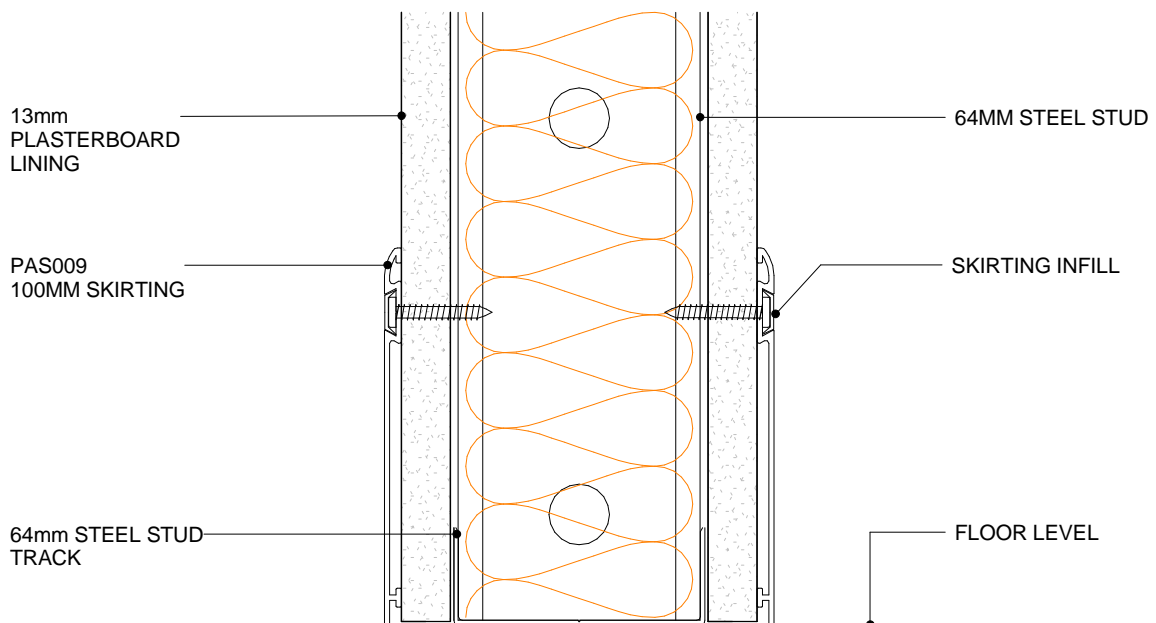
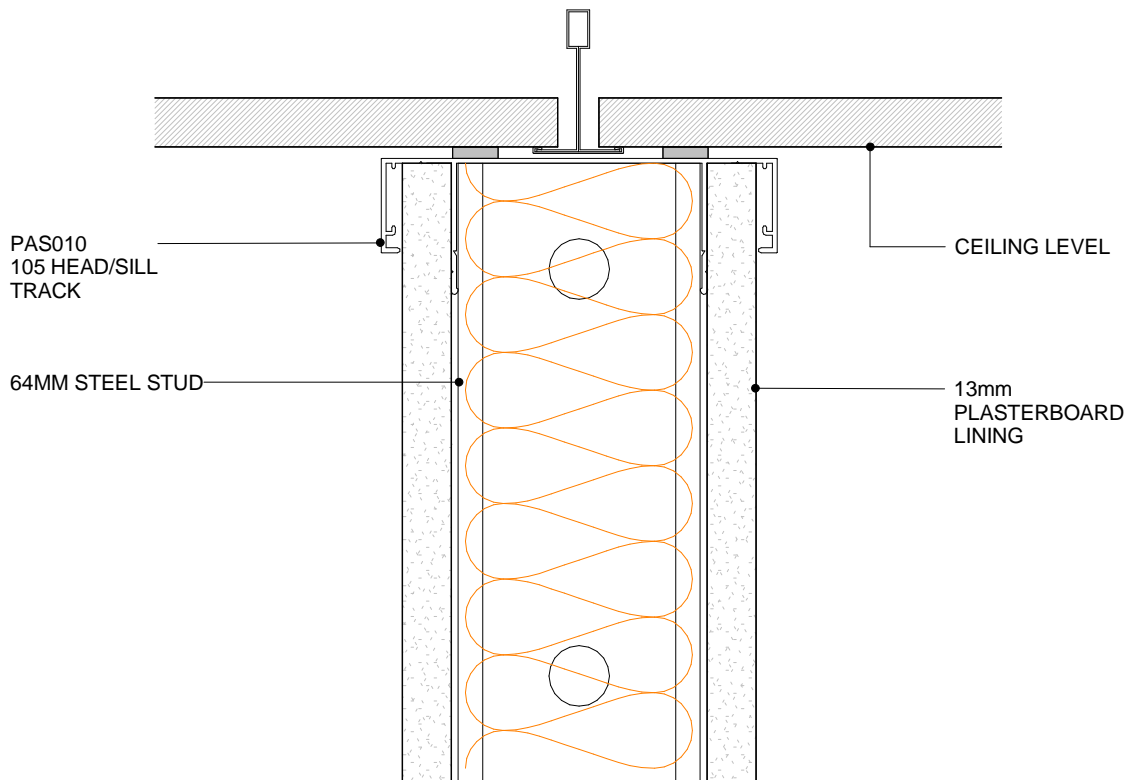


PAS601
F35 FLAT BAR



PAS ACC CLIP

**POTTER ALUMINIUM SYSTEMS
C SERIES 45 - STANDARD SUITE PROFILES**



**POTTER ALUMINIUM SYSTEMS
C SERIES 45 - STEEL STUD WALL**

CROSS SECTION

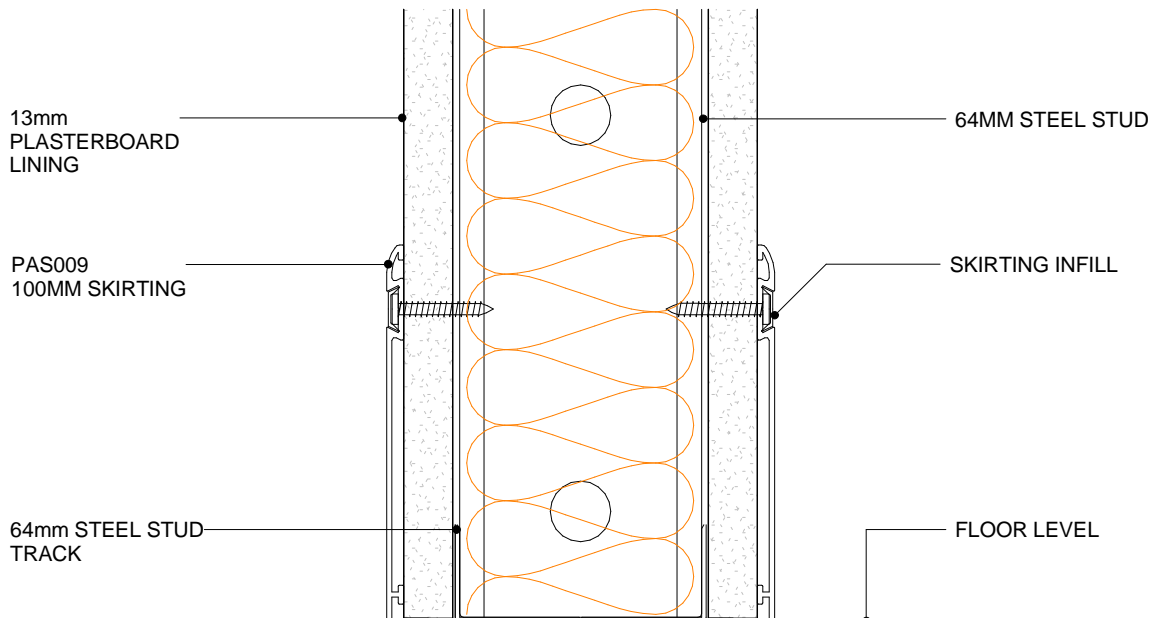
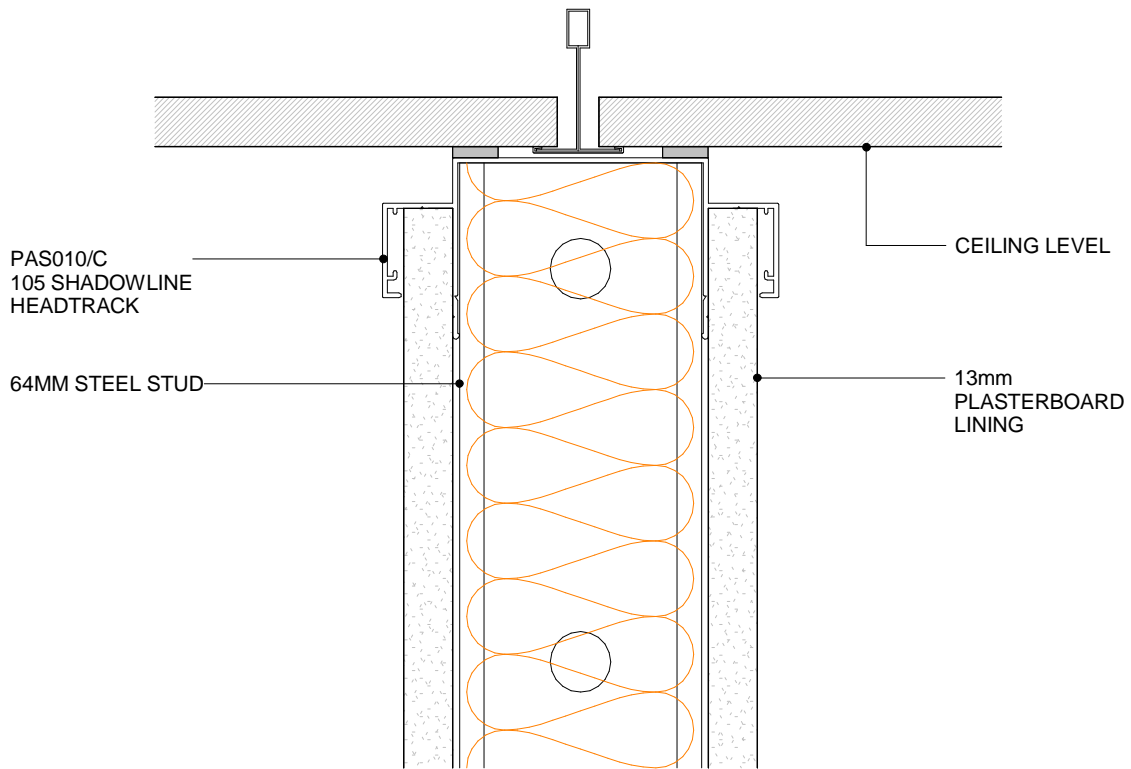
4.4.1
SHEET

1:2@A4
SCALE

A 01/04/2020
ISSUED DATE

0800 POTTER (0800 768 837) WWW.POTTERS.CO.NZ
SUBJECT TO CHANGE WITHOUT NOTICE





POTTER ALUMINIUM SYSTEMS
C SERIES 45 - SHADOWLINE STEEL STUD WALL
CROSS SECTION

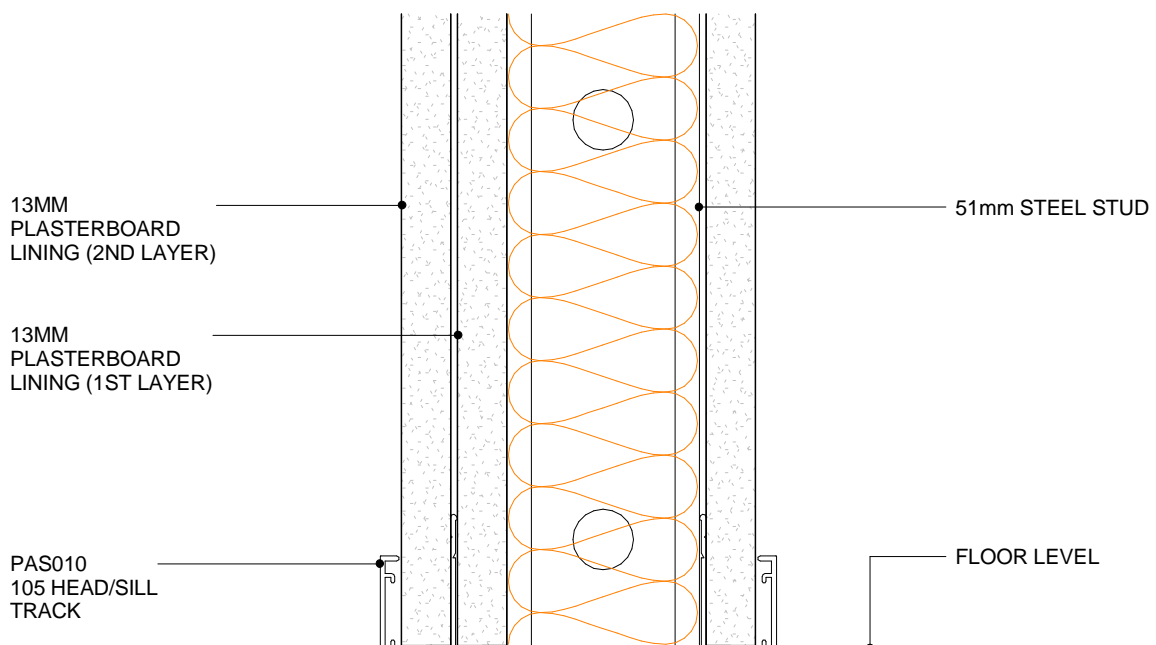
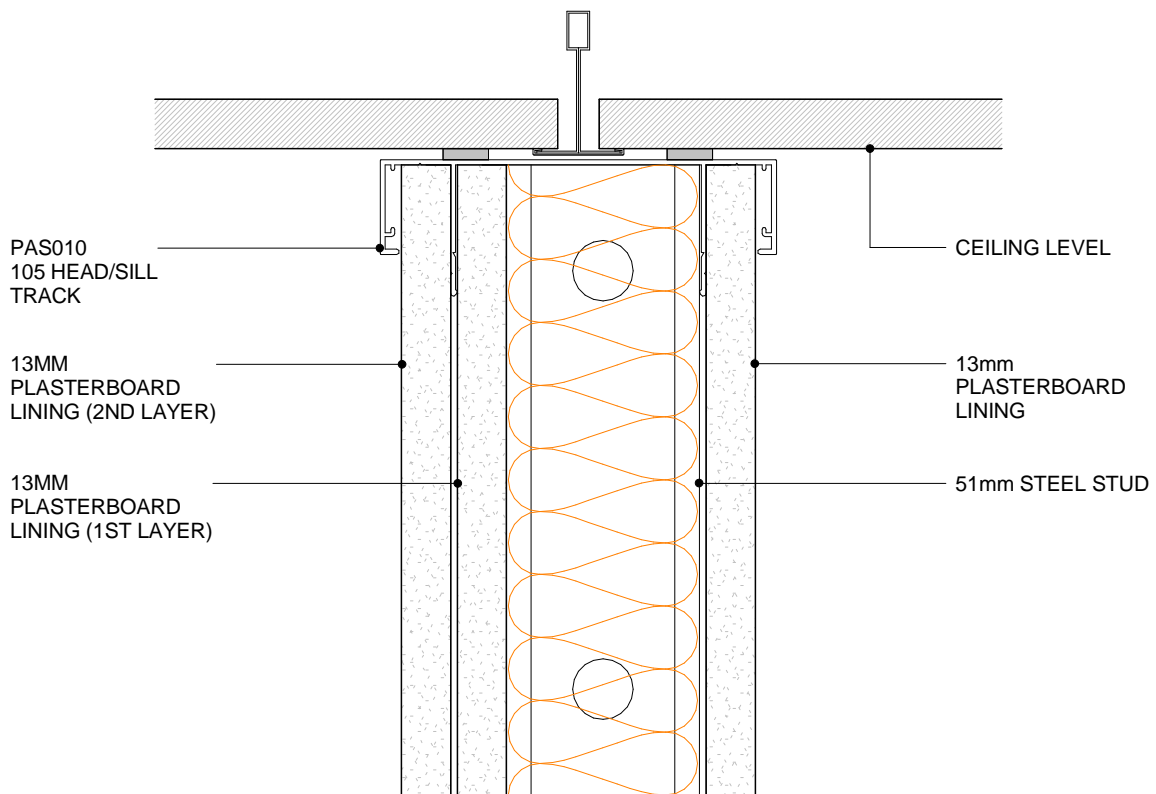
4.4.2
SHEET

1:2@A4
SCALE

A 01/04/2020
ISSUED DATE

0800 POTTER (0800 768 837) WWW.POTTERS.CO.NZ
 SUBJECT TO CHANGE WITHOUT NOTICE





POTTER ALUMINIUM SYSTEMS
C SERIES 45 - STEEL STUD WALL ALTERNATIVE
CROSS SECTION

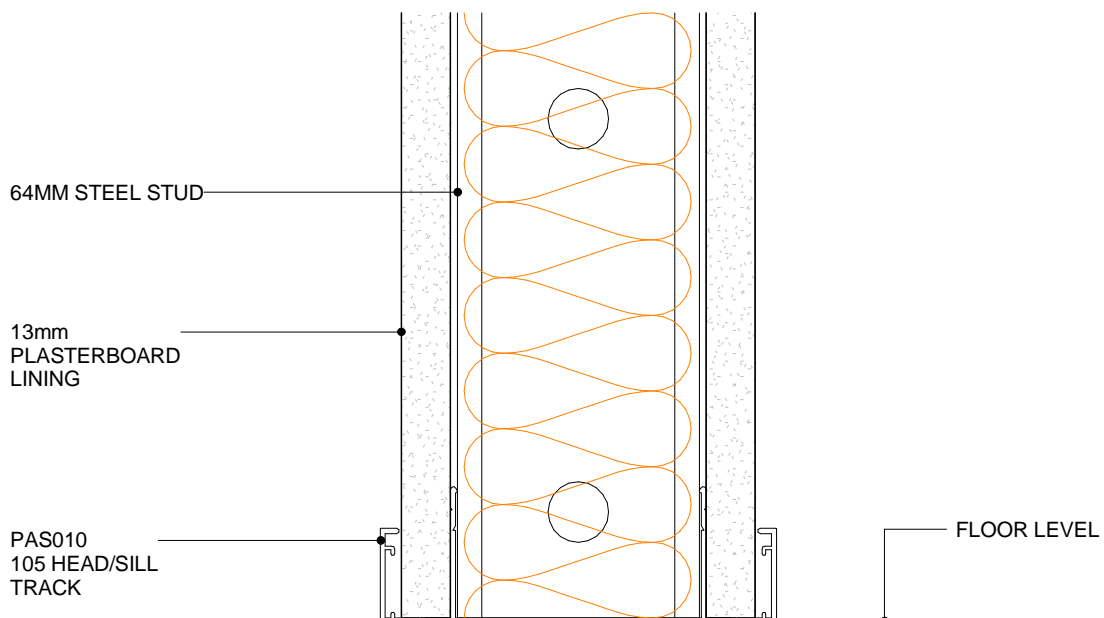
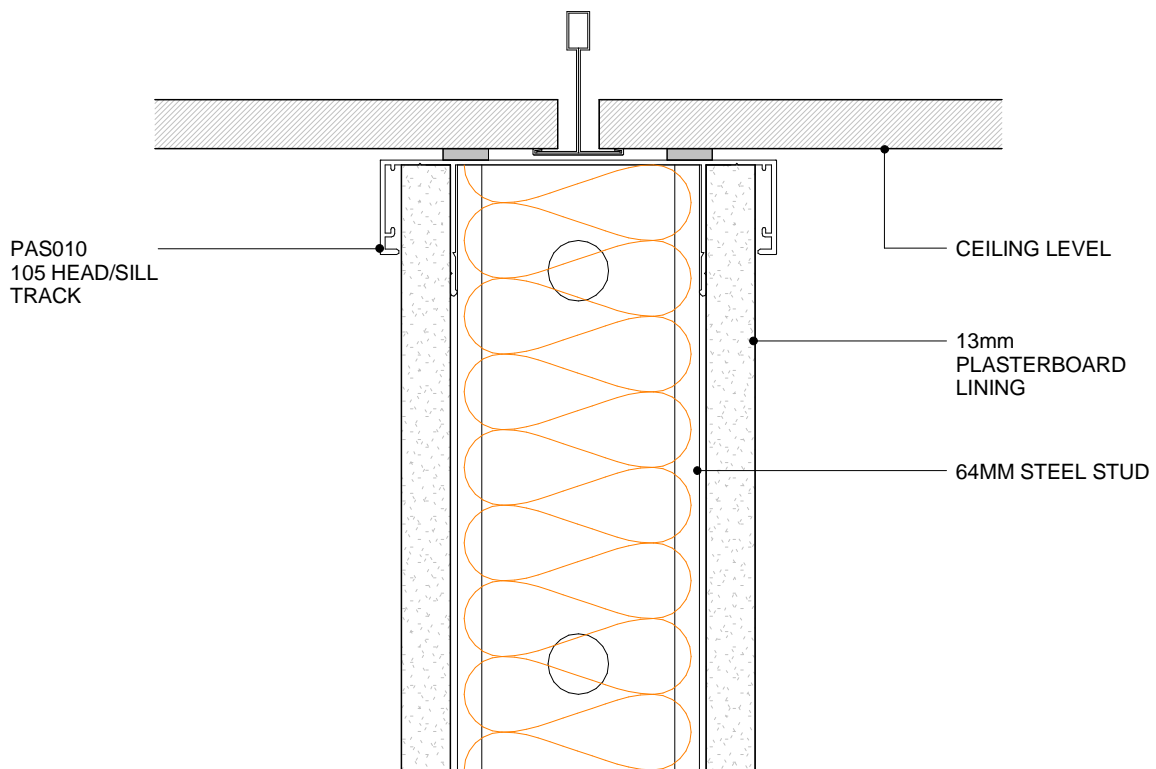
4.4.3
SHEET

1:2@A4
SCALE

A 01/04/2020
ISSUED DATE

0800 POTTER (0800 768 837) WWW.POTTERS.CO.NZ
SUBJECT TO CHANGE WITHOUT NOTICE





POTTER ALUMINIUM SYSTEMS
C SERIES 45 - STEEL STUD WALL ALTERNATIVE 2
CROSS SECTION

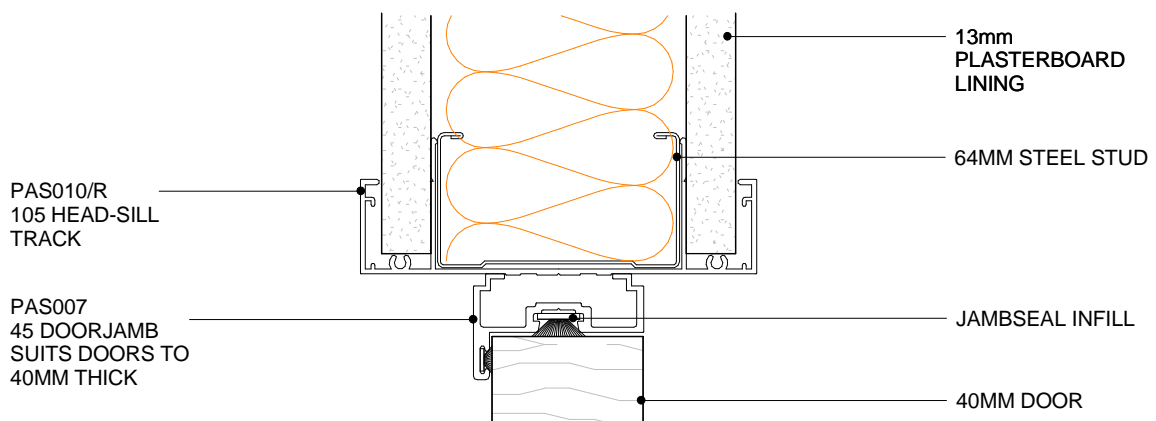
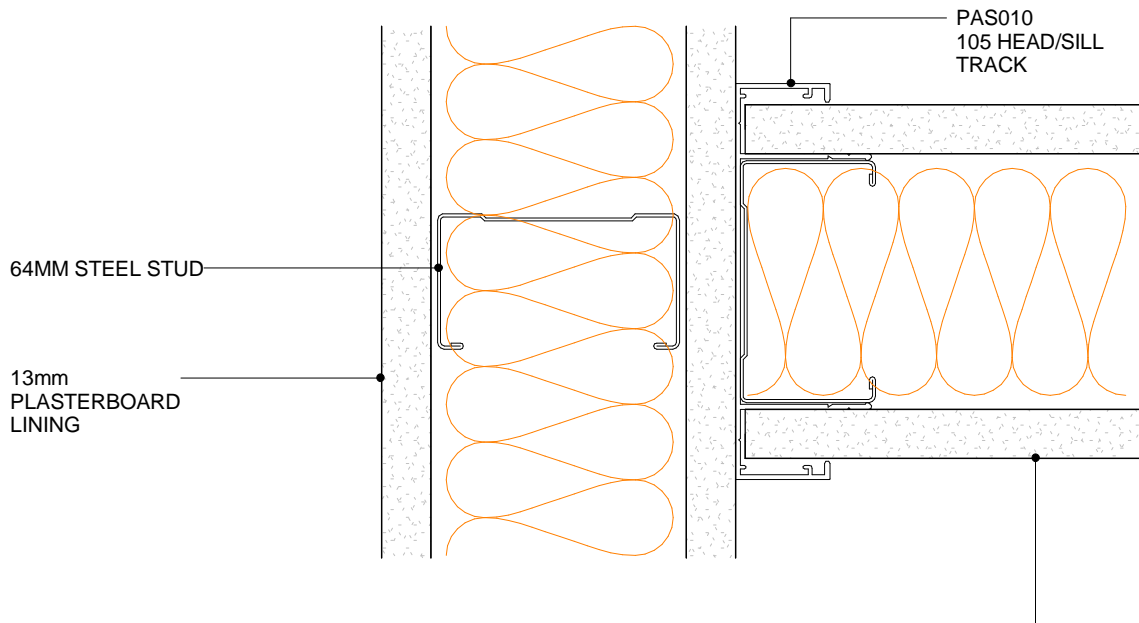
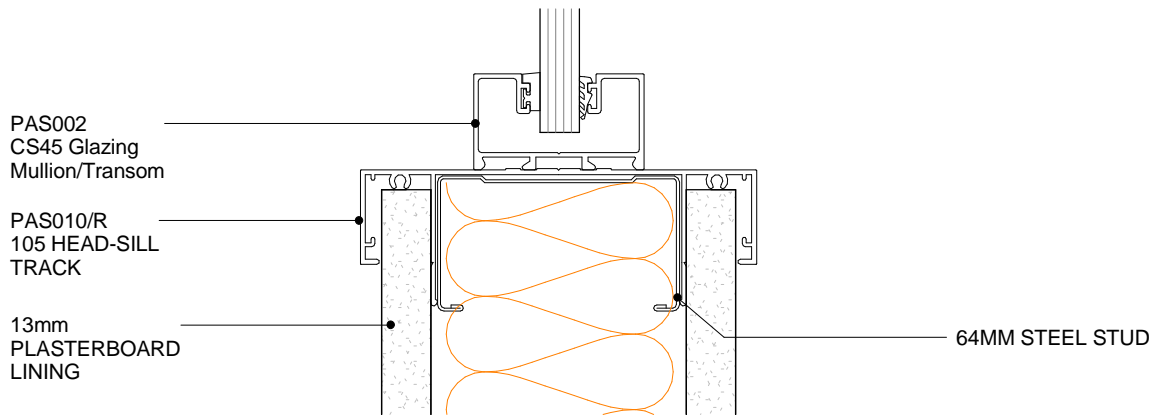
4.4.4
SHEET

1:2@A4
SCALE

A 01/04/2020
ISSUED DATE

0800 POTTER (0800 768 837) WWW.POTTERS.CO.NZ
SUBJECT TO CHANGE WITHOUT NOTICE

CSR



**POTTER ALUMINIUM SYSTEMS
C SERIES 45 - WALL INTERSECTION**

PLAN VIEW

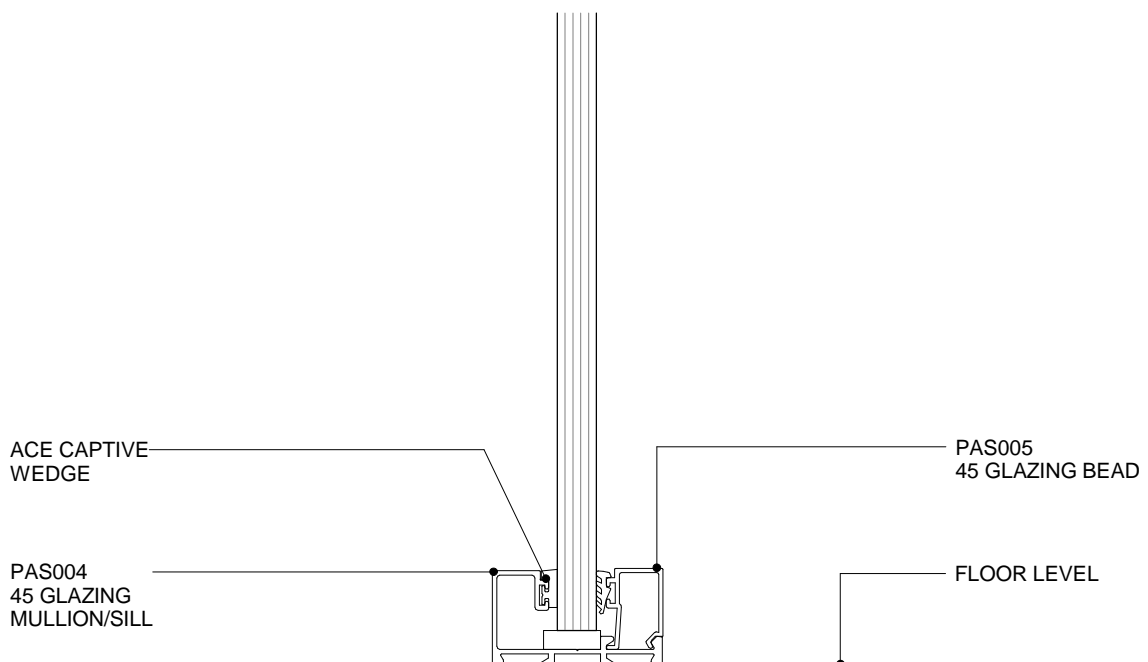
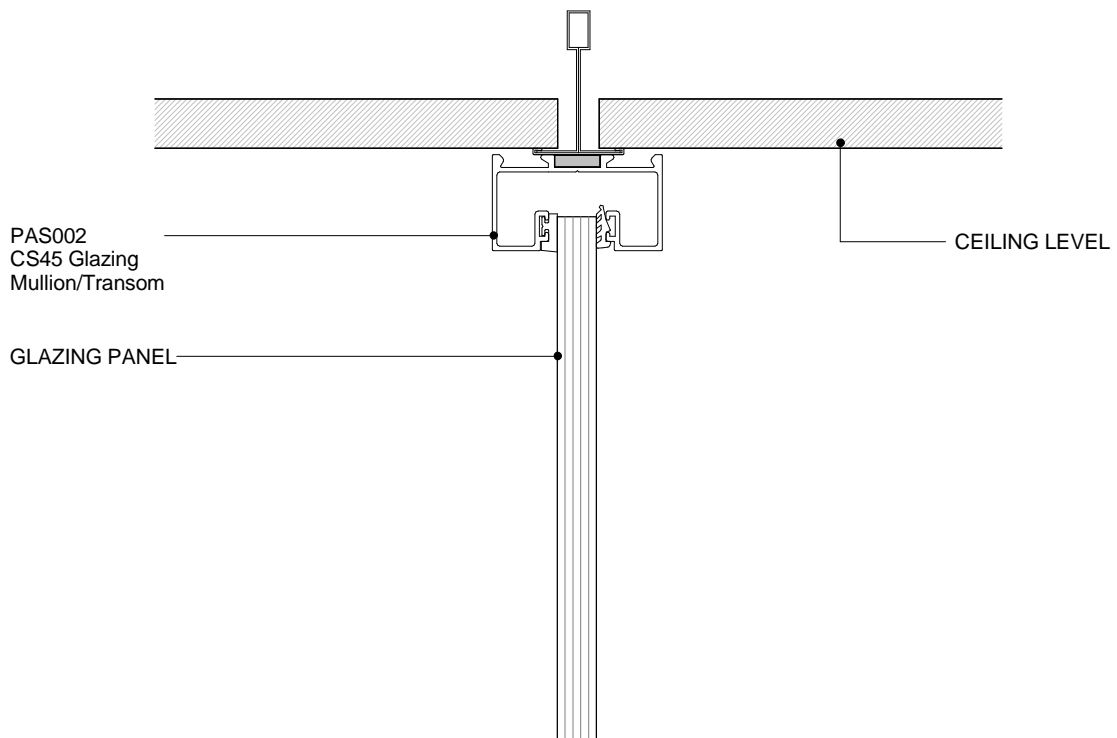
4.4.5
SHEET

1:2@A4
SCALE

A 01/04/2020
ISSUED DATE

0800 POTTER (0800 768 837) WWW.POTTERS.CO.NZ
SUBJECT TO CHANGE WITHOUT NOTICE





POTTER ALUMINIUM SYSTEMS
C SERIES 45 - FULL HEIGHT GLAZING SYSTEM
CROSS SECTION

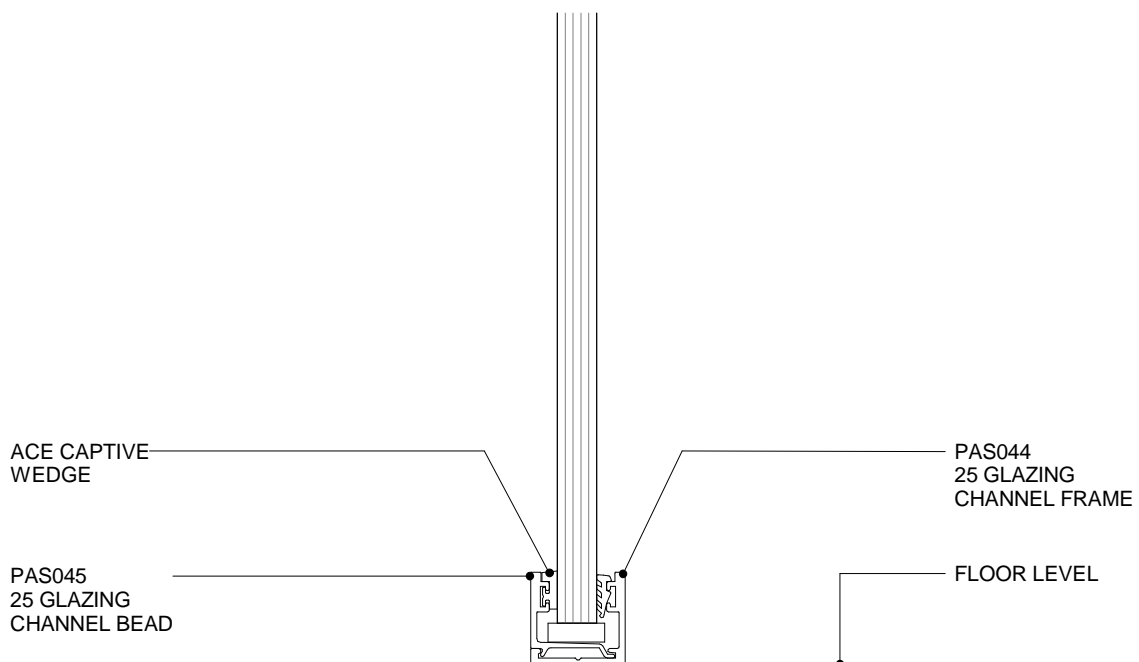
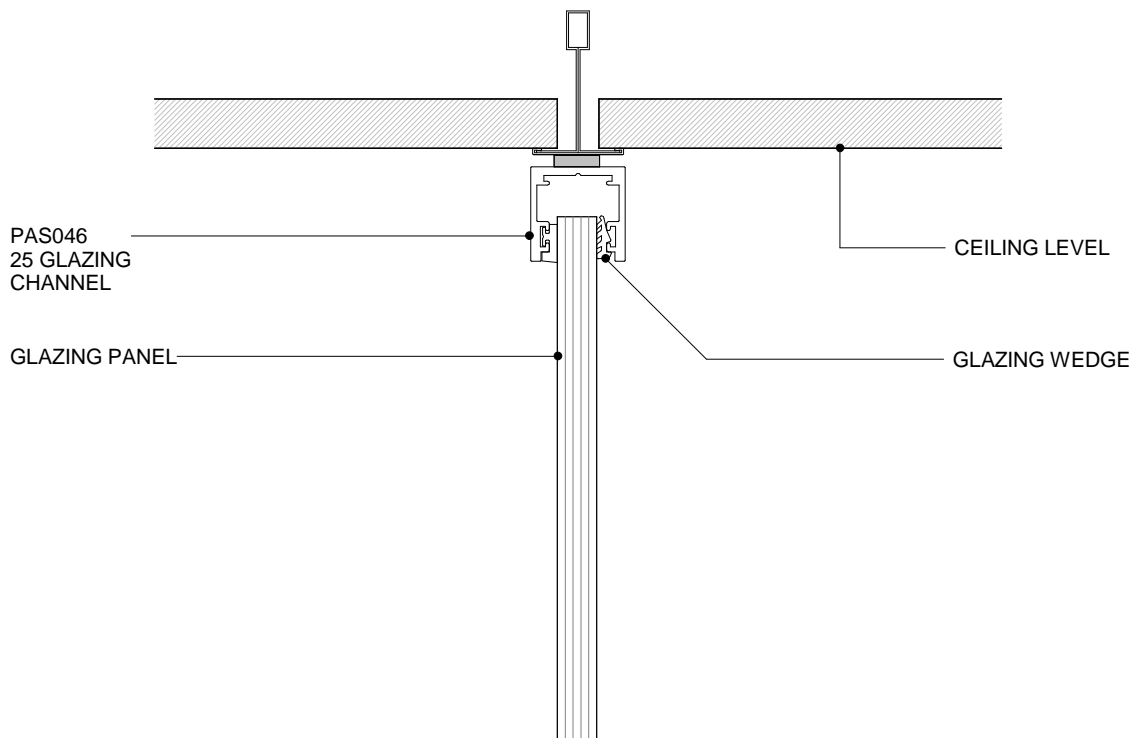
4.5.1
SHEET

1:2@A4
SCALE

A 01/04/2020
ISSUED DATE

0800 POTTER (0800 768 837) WWW.POTTERS.CO.NZ
SUBJECT TO CHANGE WITHOUT NOTICE





POTTER ALUMINIUM SYSTEMS
C SERIES 45 - FULL HEIGHT GLAZING SYSTEM 2
CROSS SECTION

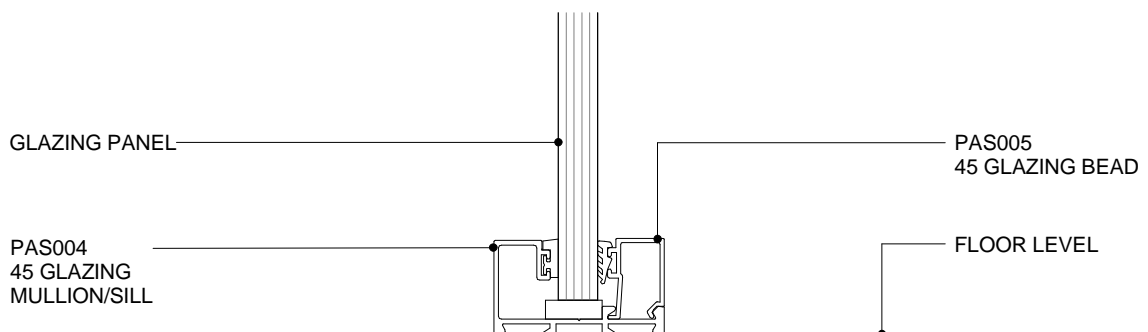
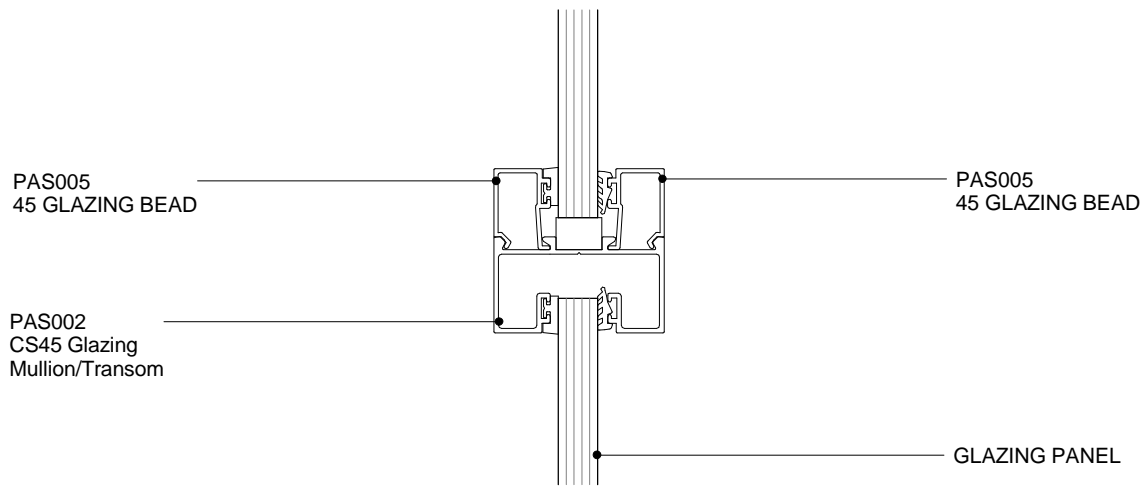
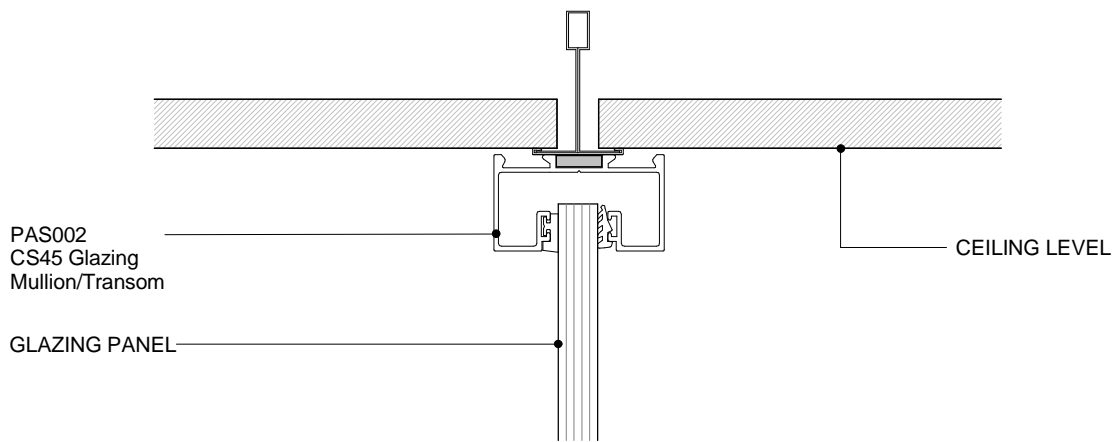
4.5.2
SHEET

1:2@A4
SCALE

A 01/04/2020
ISSUED DATE

0800 POTTER (0800 768 837) WWW.POTTERS.CO.NZ
SUBJECT TO CHANGE WITHOUT NOTICE





**POTTER ALUMINIUM SYSTEMS
C SERIES 45 - GLAZING TRANSOM**

CROSS SECTION

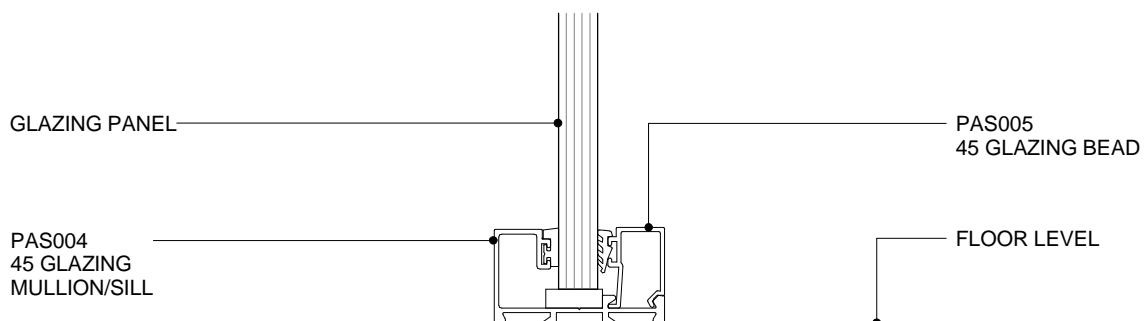
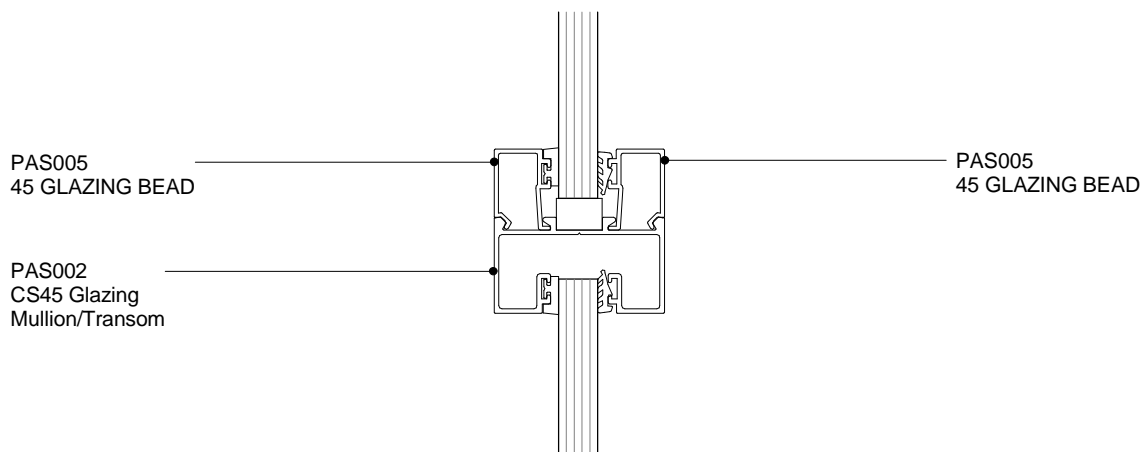
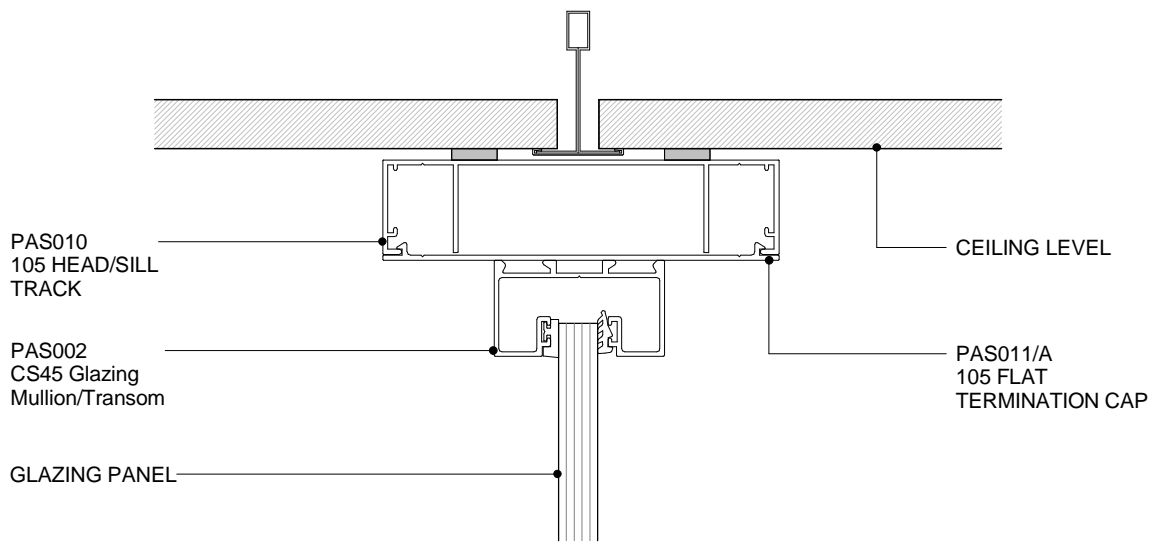
4.5.3
SHEET

1:2@A4
SCALE

A 01/04/2020
ISSUED DATE

0800 POTTER (0800 768 837) WWW.POTTERS.CO.NZ
SUBJECT TO CHANGE WITHOUT NOTICE





POTTER ALUMINIUM SYSTEMS
C SERIES 45 - GLAZING TRANSOM WITH HEADTRACK
CROSS SECTION

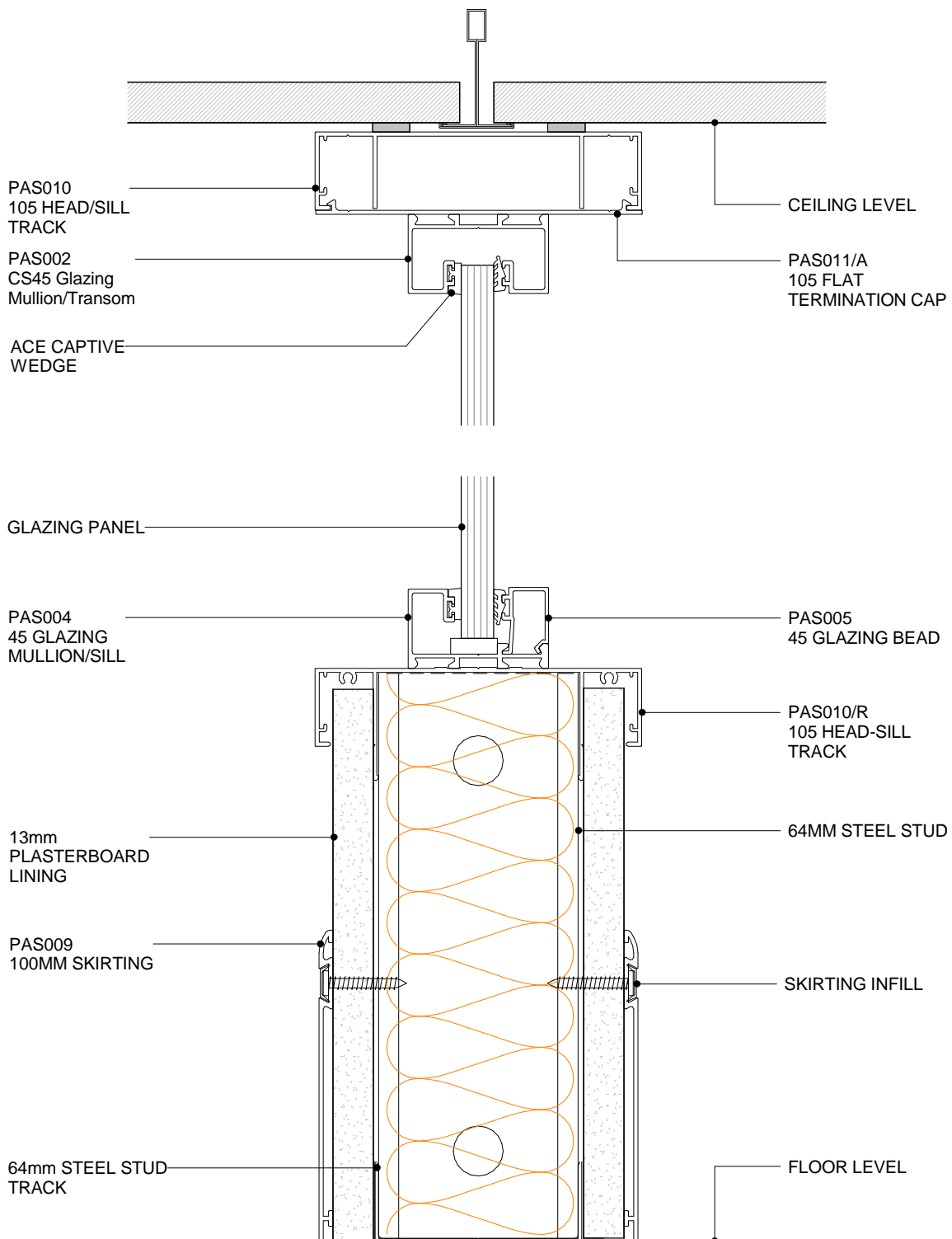
4.5.4
 SHEET

1:2@A4
 SCALE

A 01/04/2020
 ISSUED DATE

0800 POTTER (0800 768 837) WWW.POTTERS.CO.NZ
 SUBJECT TO CHANGE WITHOUT NOTICE





POTTER ALUMINIUM SYSTEMS
C SERIES 45 - HALF HEIGHT GLAZING WALL
CROSS SECTION

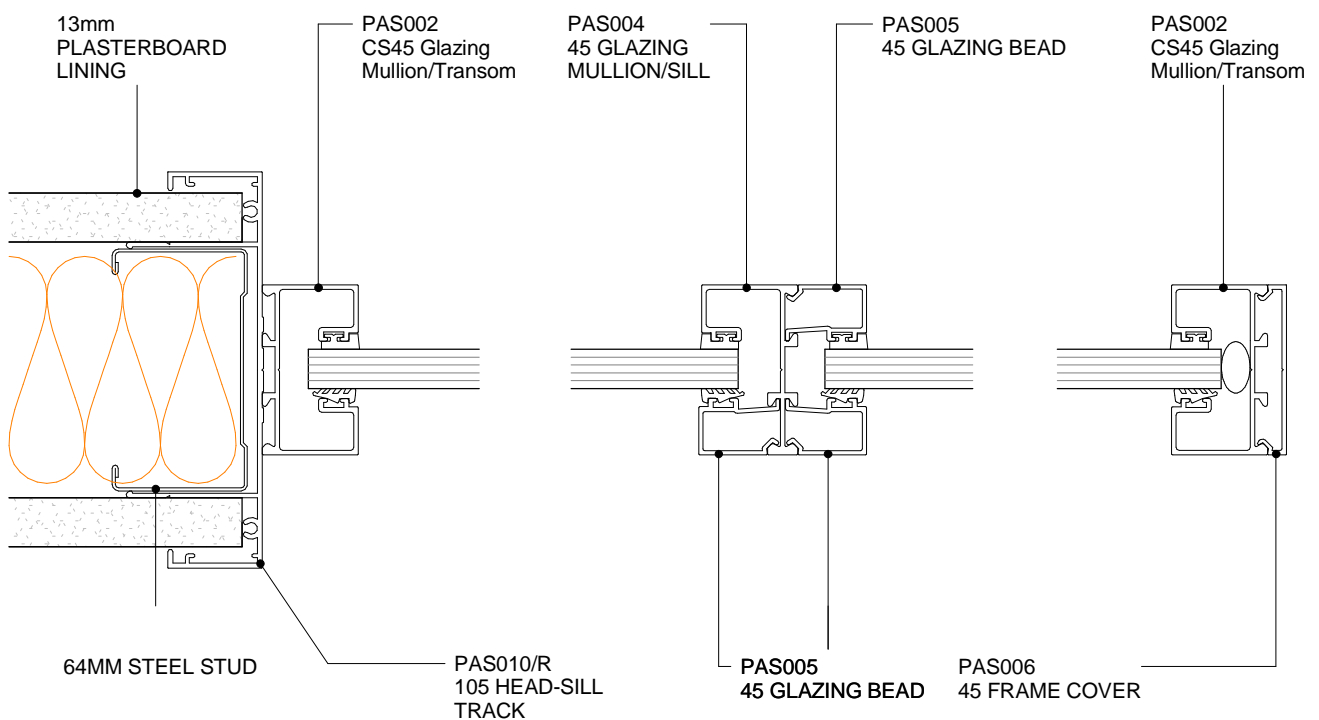
4.5.5
SHEET

1:2@A4
SCALE

A 01/04/2020
ISSUED DATE

0800 POTTER (0800 768 837) WWW.POTTERS.CO.NZ
 SUBJECT TO CHANGE WITHOUT NOTICE

CSR



**POTTER ALUMINIUM SYSTEMS
C SERIES 45 - GLAZING MULLION**

PLAN VIEW

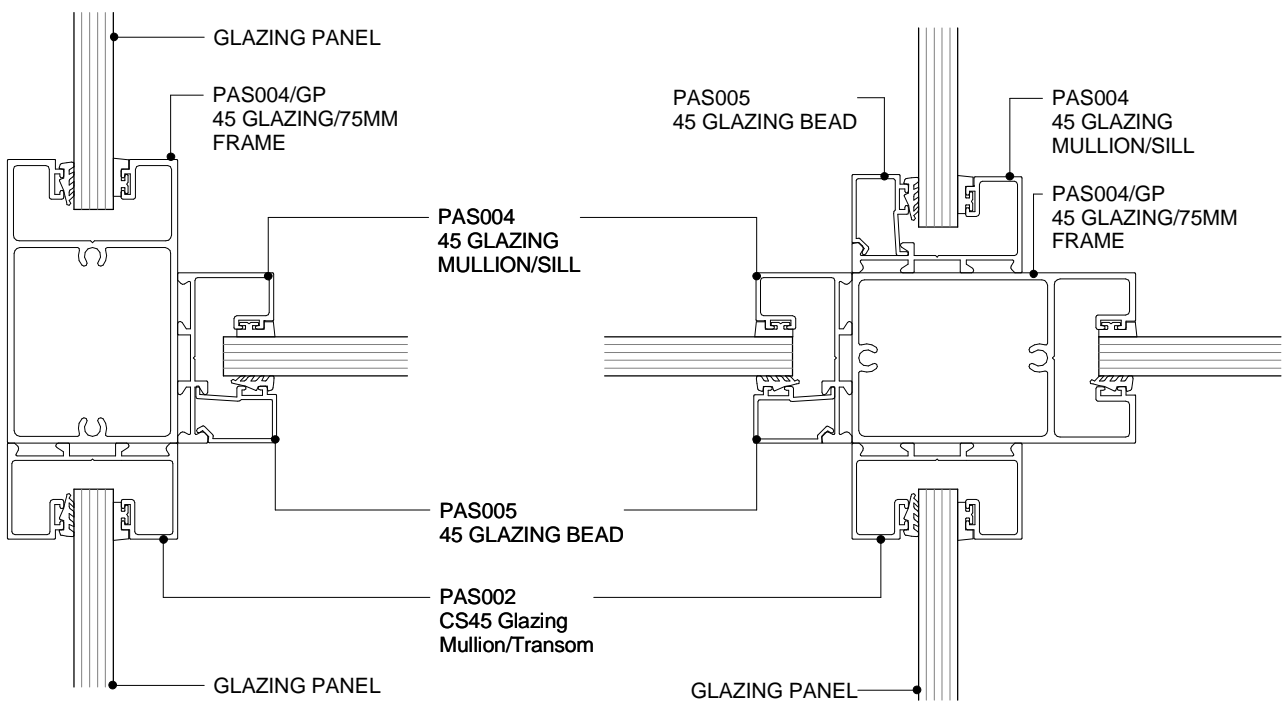
4.5.6
SHEET

1:2@A4
SCALE

A 01/04/2020
ISSUED DATE

0800 POTTER (0800 768 837) WWW.POTTERS.CO.NZ
SUBJECT TO CHANGE WITHOUT NOTICE





**POTTER ALUMINIUM SYSTEMS
C SERIES 45 - GLAZING POST**

PLAN VIEW

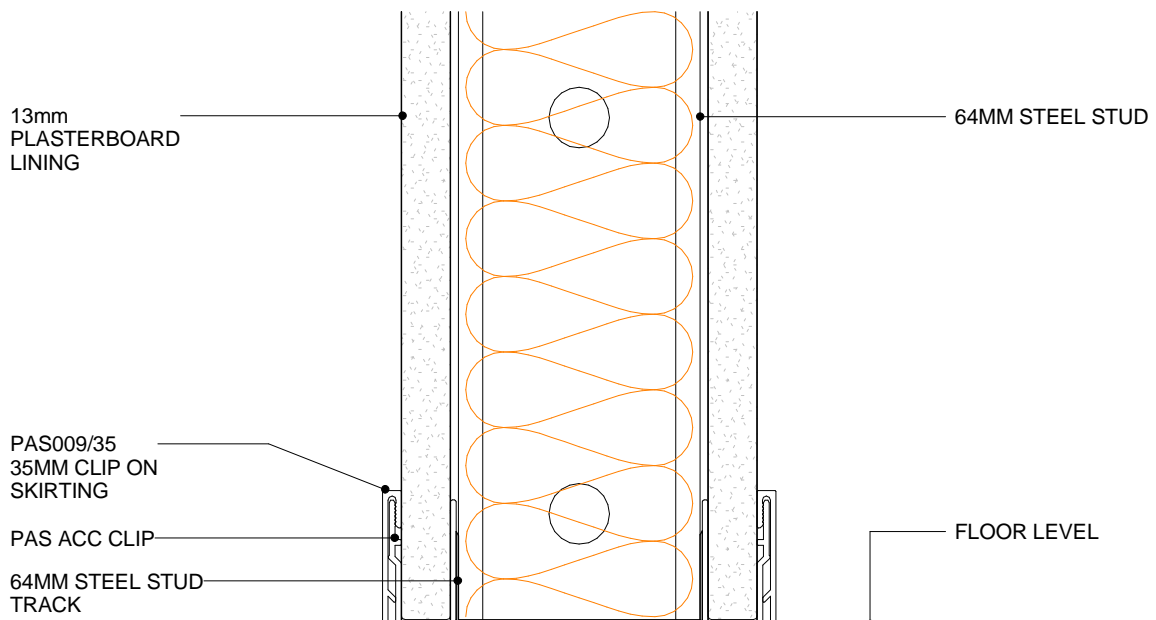
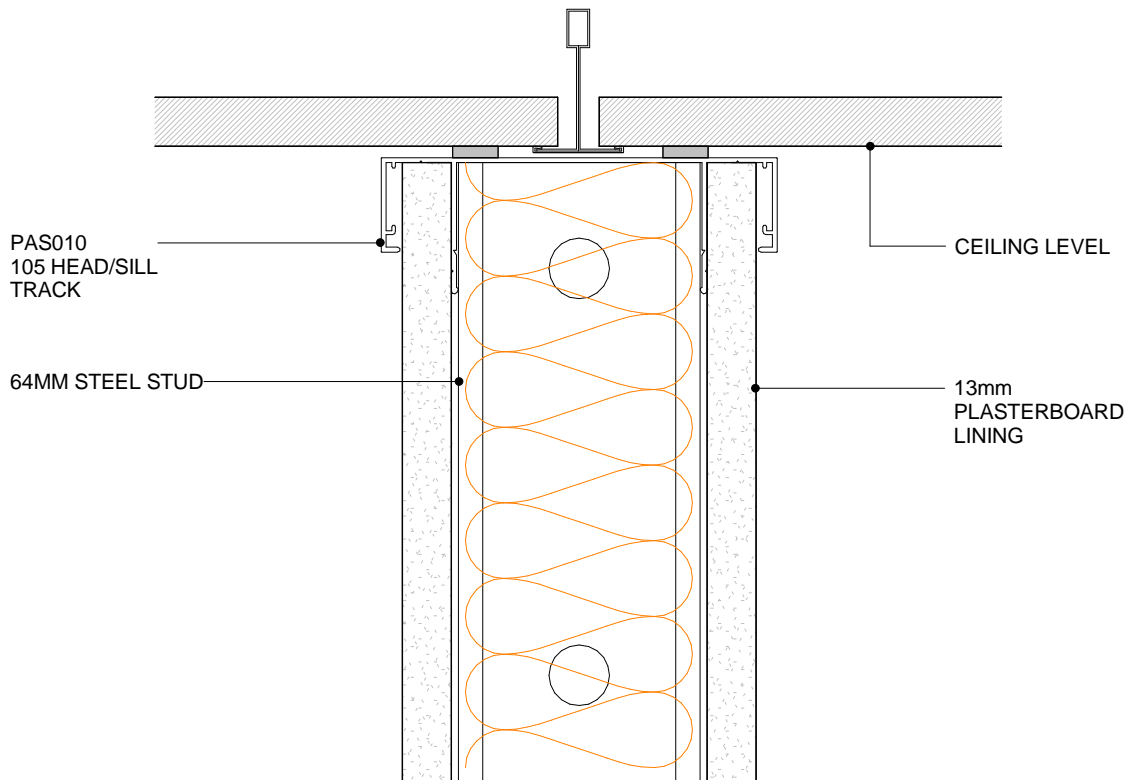
4.5.7
SHEET

1:2@A4
SCALE

A 01/04/2020
ISSUED DATE

0800 POTTER (0800 768 837) WWW.POTTERS.CO.NZ
SUBJECT TO CHANGE WITHOUT NOTICE





POTTER ALUMINIUM SYSTEMS
C SERIES 45 - STEEL STUD WALL WITH 35MM CLIP ON SKIRTING
CROSS SECTION

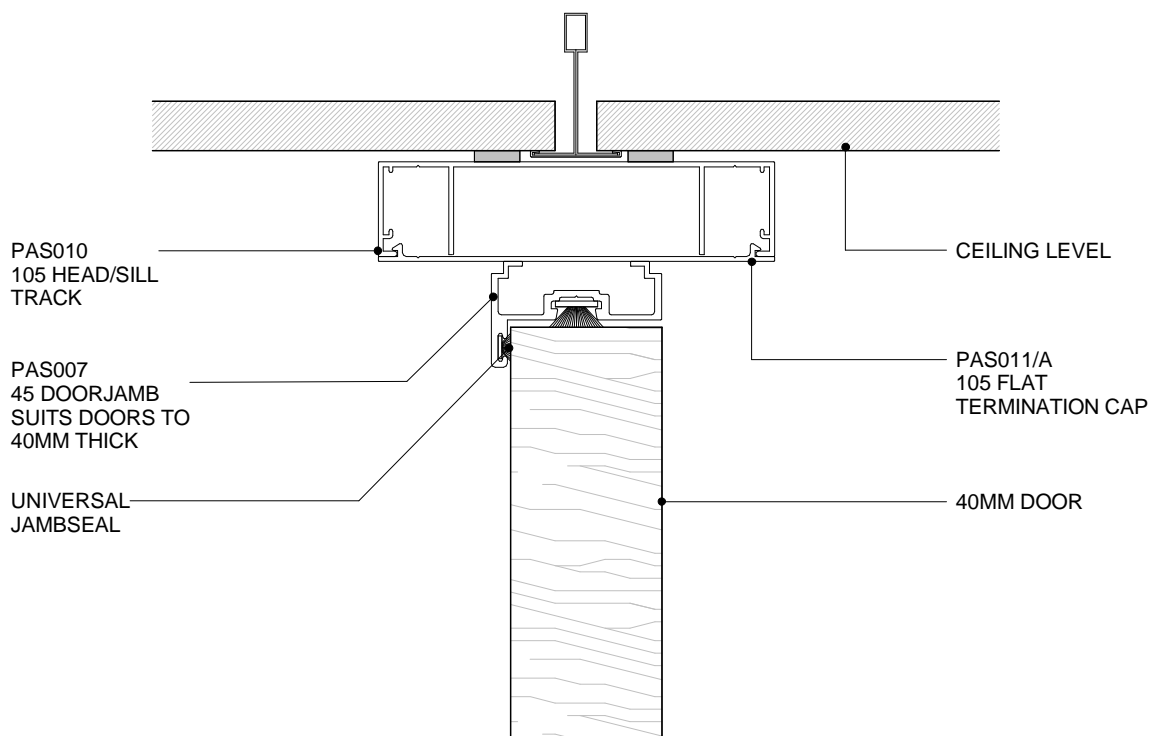
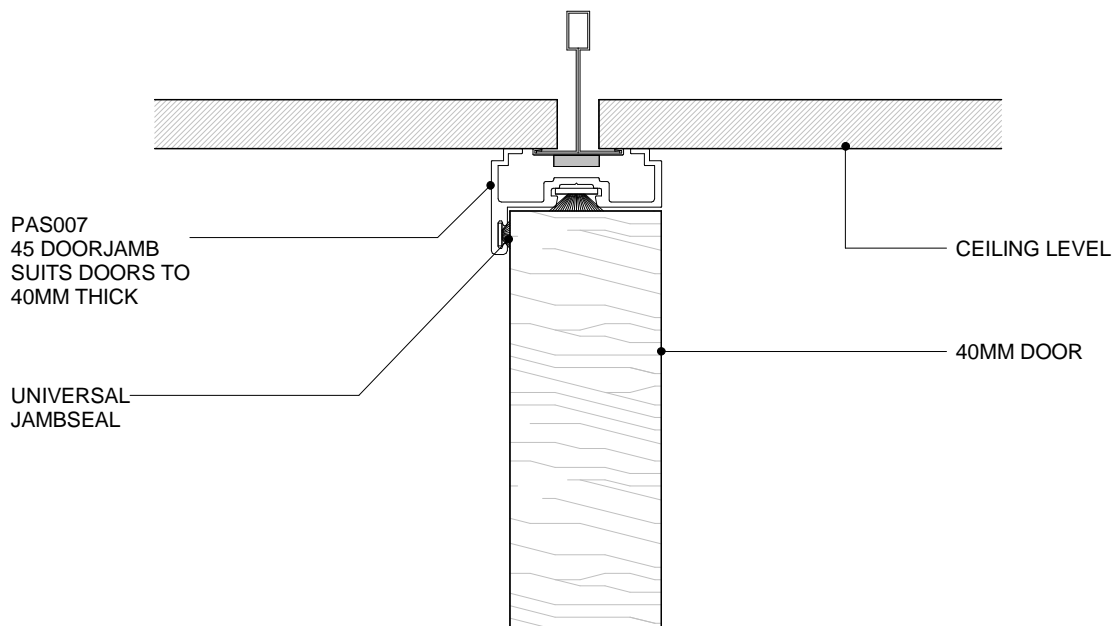
4.5.8
SHEET

1:2@A4
SCALE

A 01/04/2020
ISSUED DATE

0800 POTTER (0800 768 837) WWW.POTTERS.CO.NZ
 SUBJECT TO CHANGE WITHOUT NOTICE





**POTTER ALUMINIUM SYSTEMS
C SERIES 45 - 40MM DOOR HEADERS**

CROSS SECTION

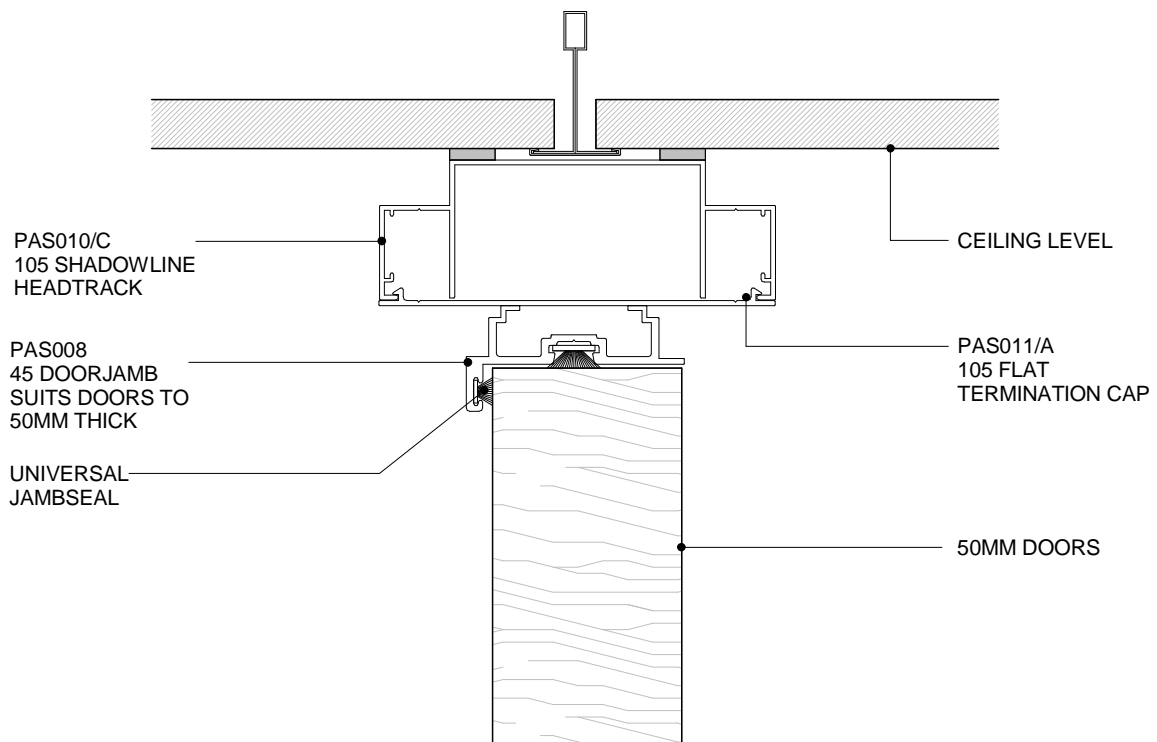
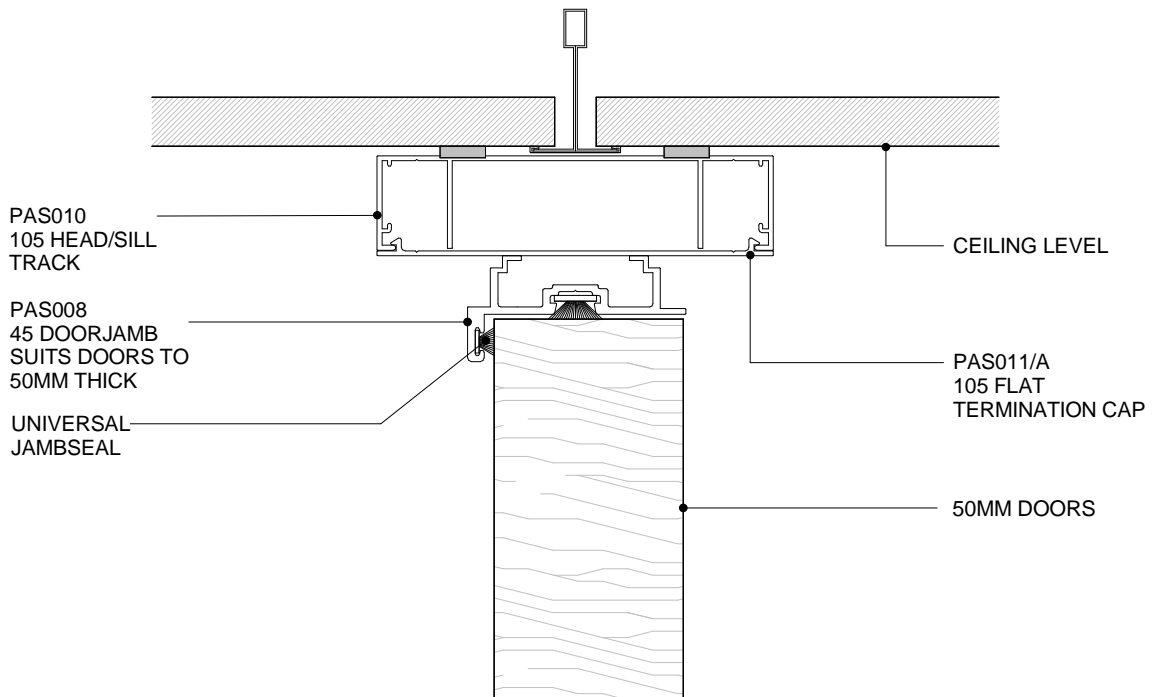
4.6.1
SHEET

1:2@A4
SCALE

A 01/04/2020
ISSUED DATE

0800 POTTER (0800 768 837) WWW.POTTERS.CO.NZ
SUBJECT TO CHANGE WITHOUT NOTICE





POTTER ALUMINIUM SYSTEMS
C SERIES 45 - 50MM DOOR HEADTRACKS
CROSS SECTION

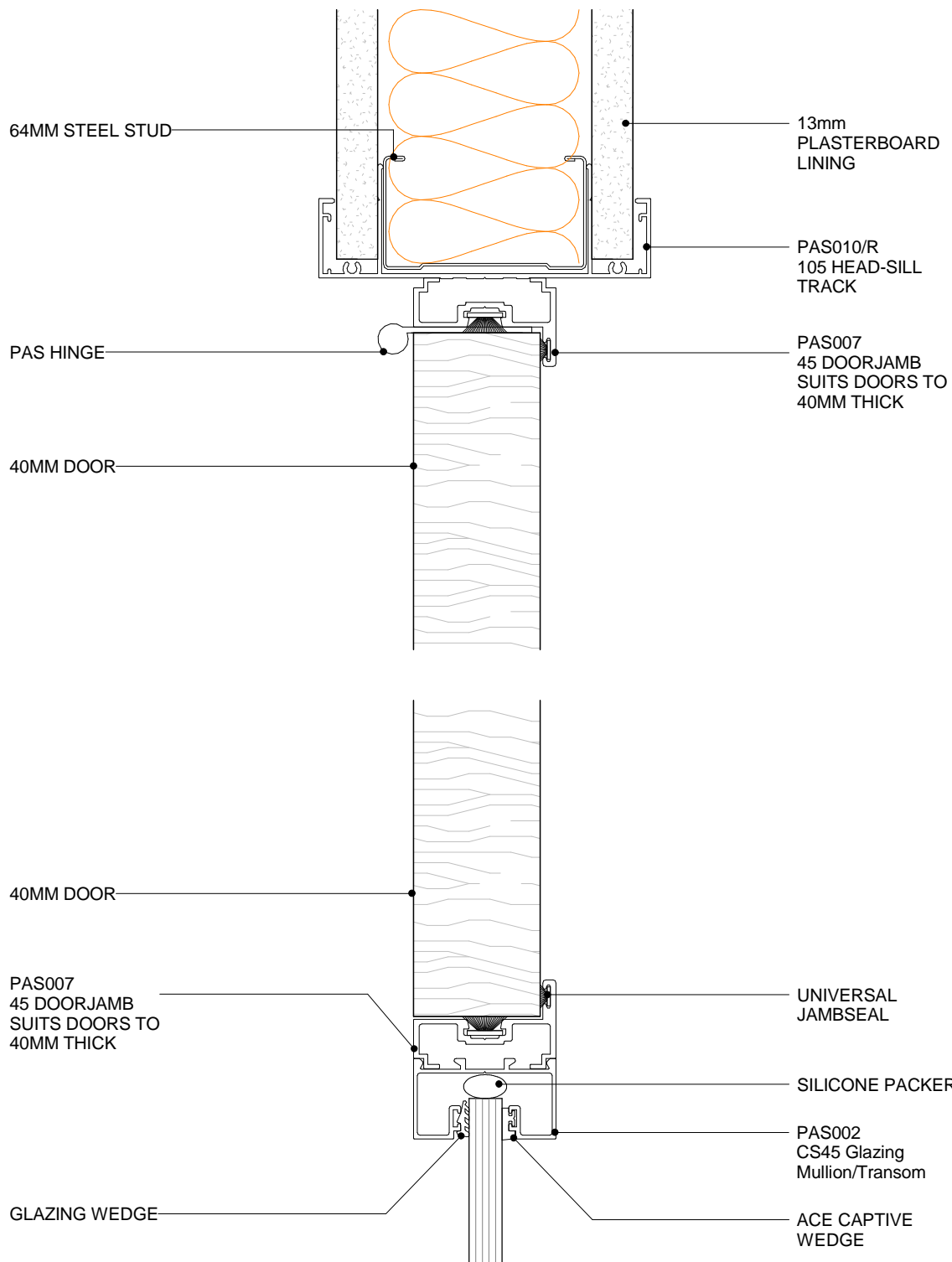
4.6.2
 SHEET

1:2@A4
 SCALE

A 01/04/2020
 ISSUED DATE

0800 POTTER (0800 768 837) WWW.POTTERS.CO.NZ
 SUBJECT TO CHANGE WITHOUT NOTICE





**POTTER ALUMINIUM SYSTEMS
C SERIES 45 - DOOR TO GLAZING**

PLAN VIEW

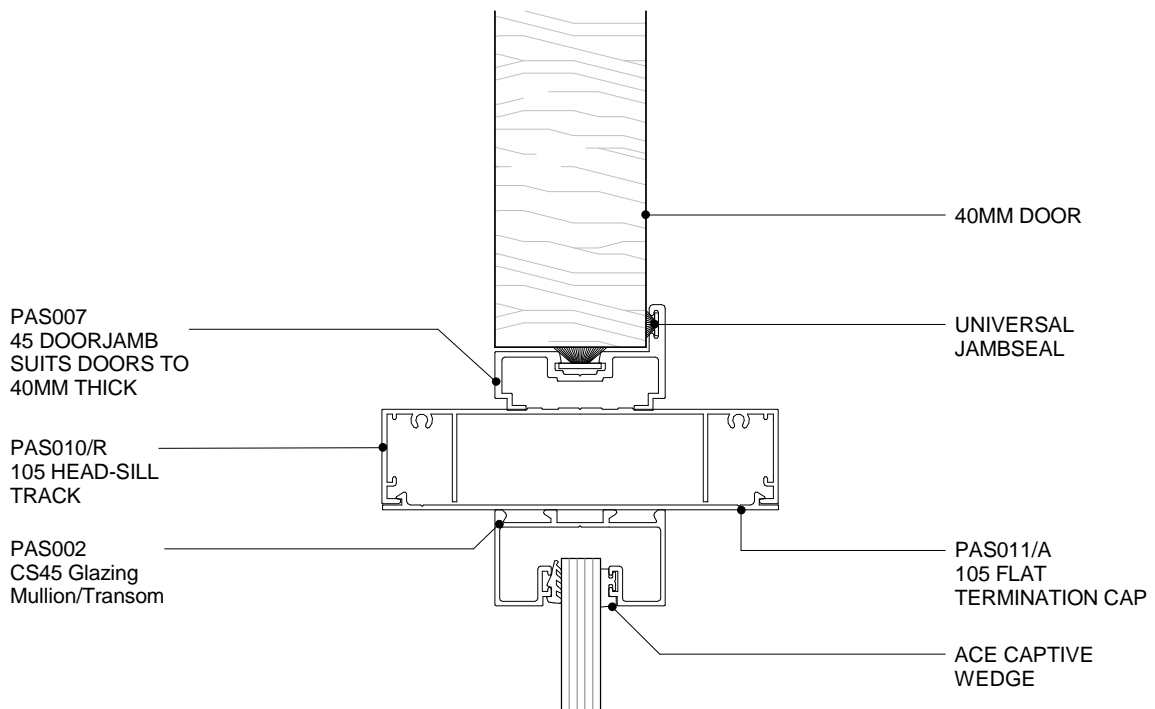
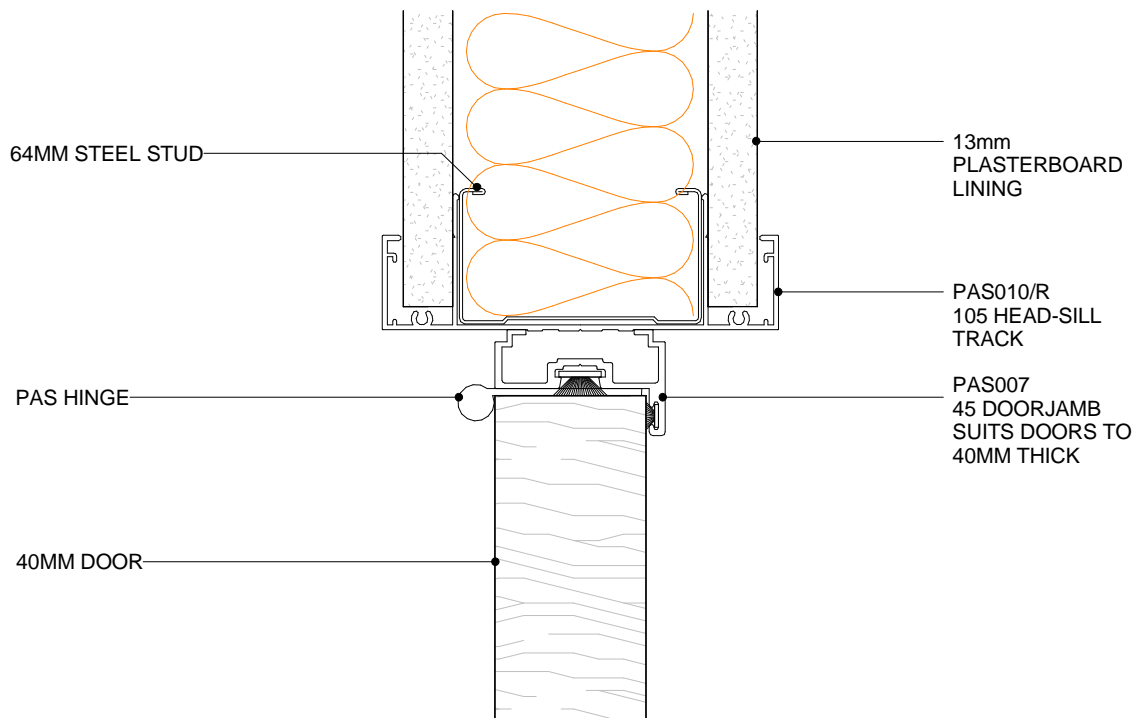
4.6.3
SHEET

1:2@A4
SCALE

A 01/04/2020
ISSUED DATE

0800 POTTER (0800 768 837) WWW.POTTERS.CO.NZ
SUBJECT TO CHANGE WITHOUT NOTICE

CSR



POTTER ALUMINIUM SYSTEMS
C SERIES 45 - DOOR-GLAZING MULLION WITH HEADTRACK
PLAN VIEW

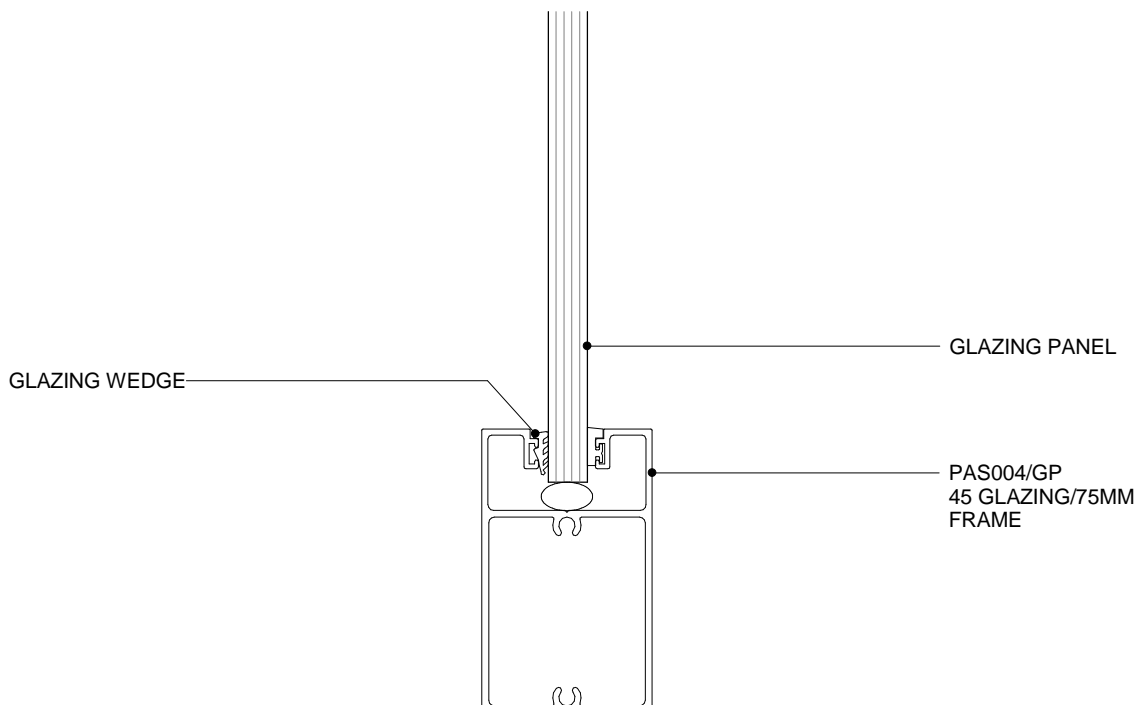
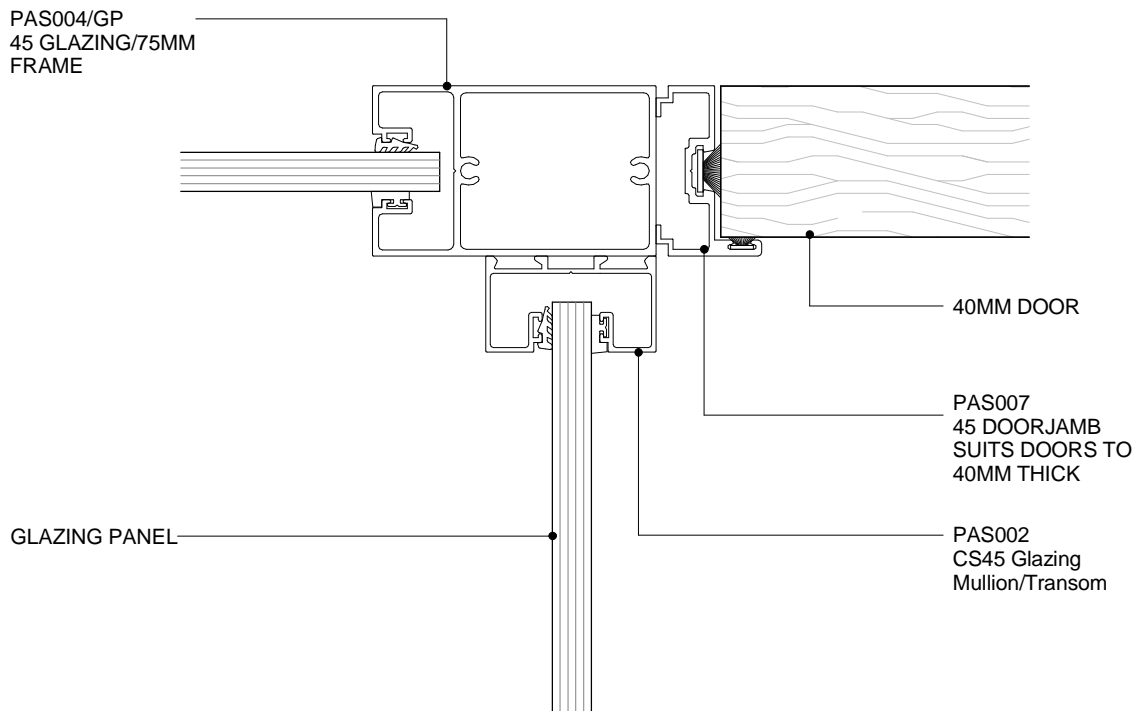
4.6.4
SHEET

1:2@A4
SCALE

A 01/04/2020
ISSUED DATE

0800 POTTER (0800 768 837) WWW.POTTERS.CO.NZ
SUBJECT TO CHANGE WITHOUT NOTICE

CSR



**POTTER ALUMINIUM SYSTEMS
C SERIES 45 - DOOR-GLAZING POST**

PLAN VIEW

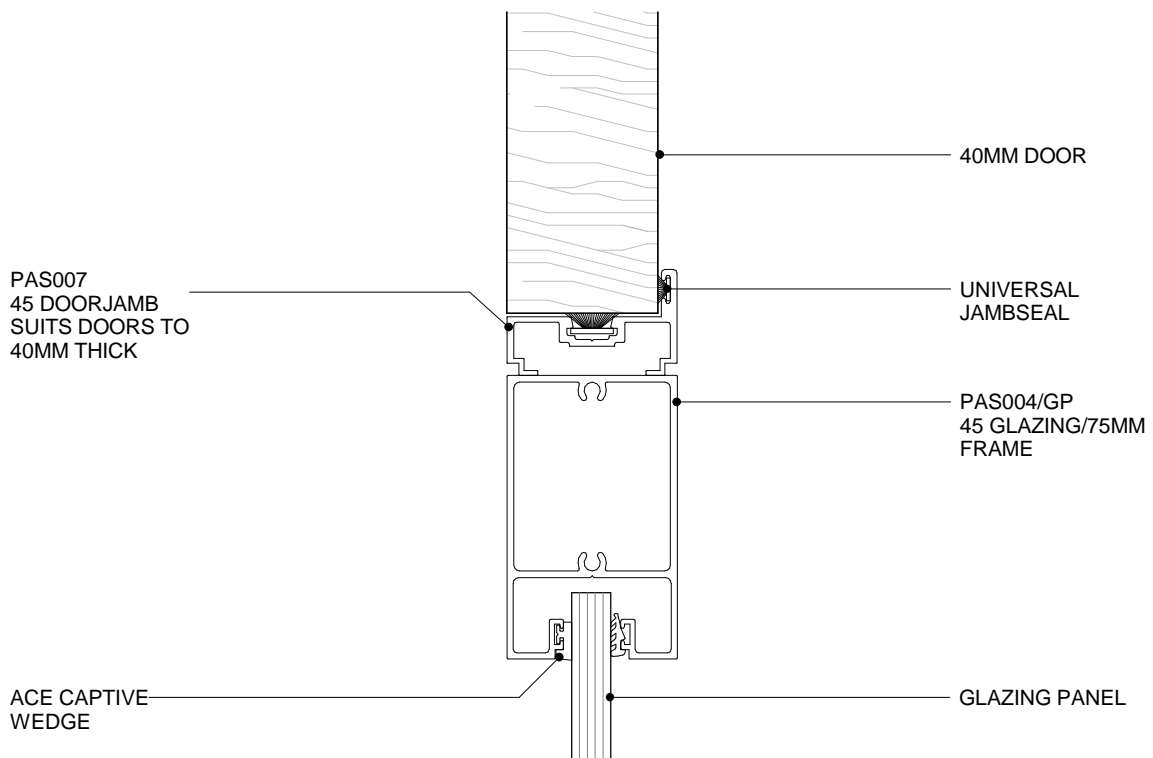
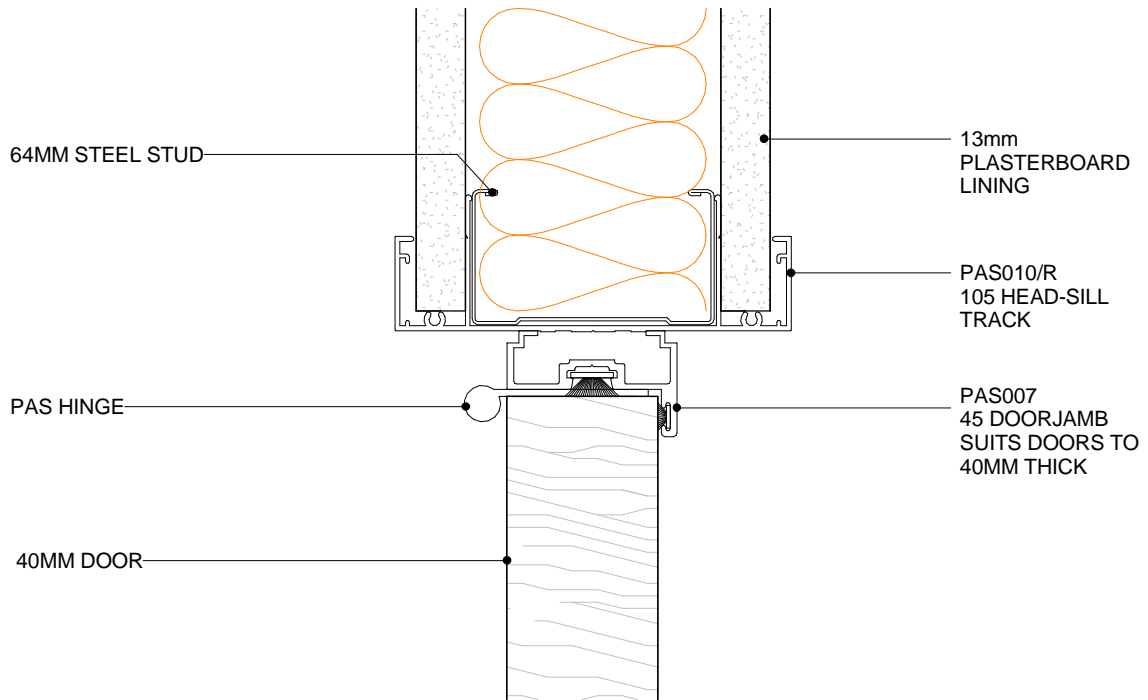
4.6.5
SHEET

1:2@A4
SCALE

A 01/04/2020
ISSUED DATE

0800 POTTER (0800 768 837) WWW.POTTERS.CO.NZ
SUBJECT TO CHANGE WITHOUT NOTICE





POTTER ALUMINIUM SYSTEMS
C SERIES 45 - DOOR-GLAZING POST 2
PLAN VIEW

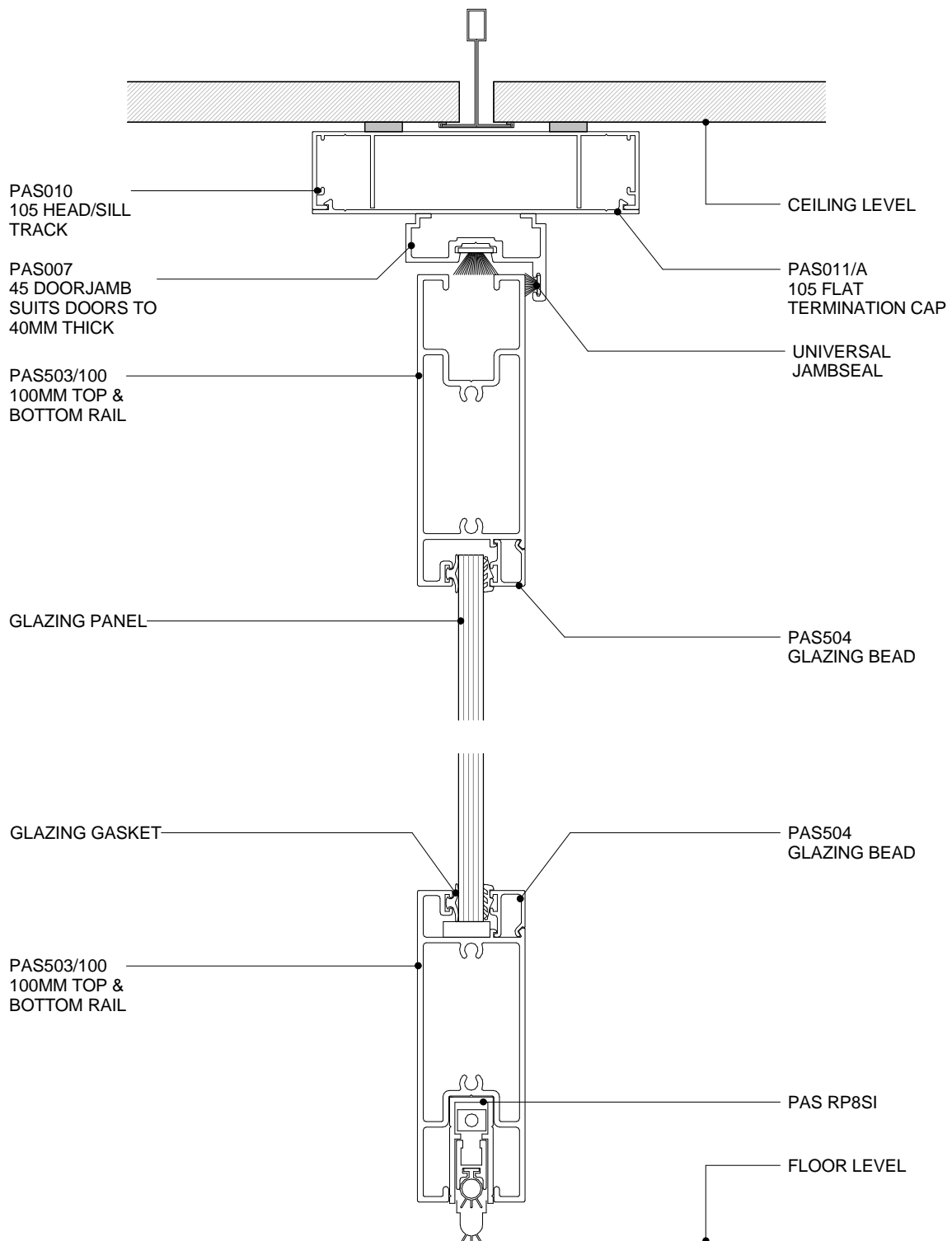
4.6.6
SHEET

1:2@A4
SCALE

A 01/04/2020
ISSUED DATE

0800 POTTER (0800 768 837) WWW.POTTERS.CO.NZ
SUBJECT TO CHANGE WITHOUT NOTICE





POTTER ALUMINIUM SYSTEMS
C SERIES 45 - DS SERIES 100MM DOOR & RP8SI DOOR SEAL
CROSS SECTION

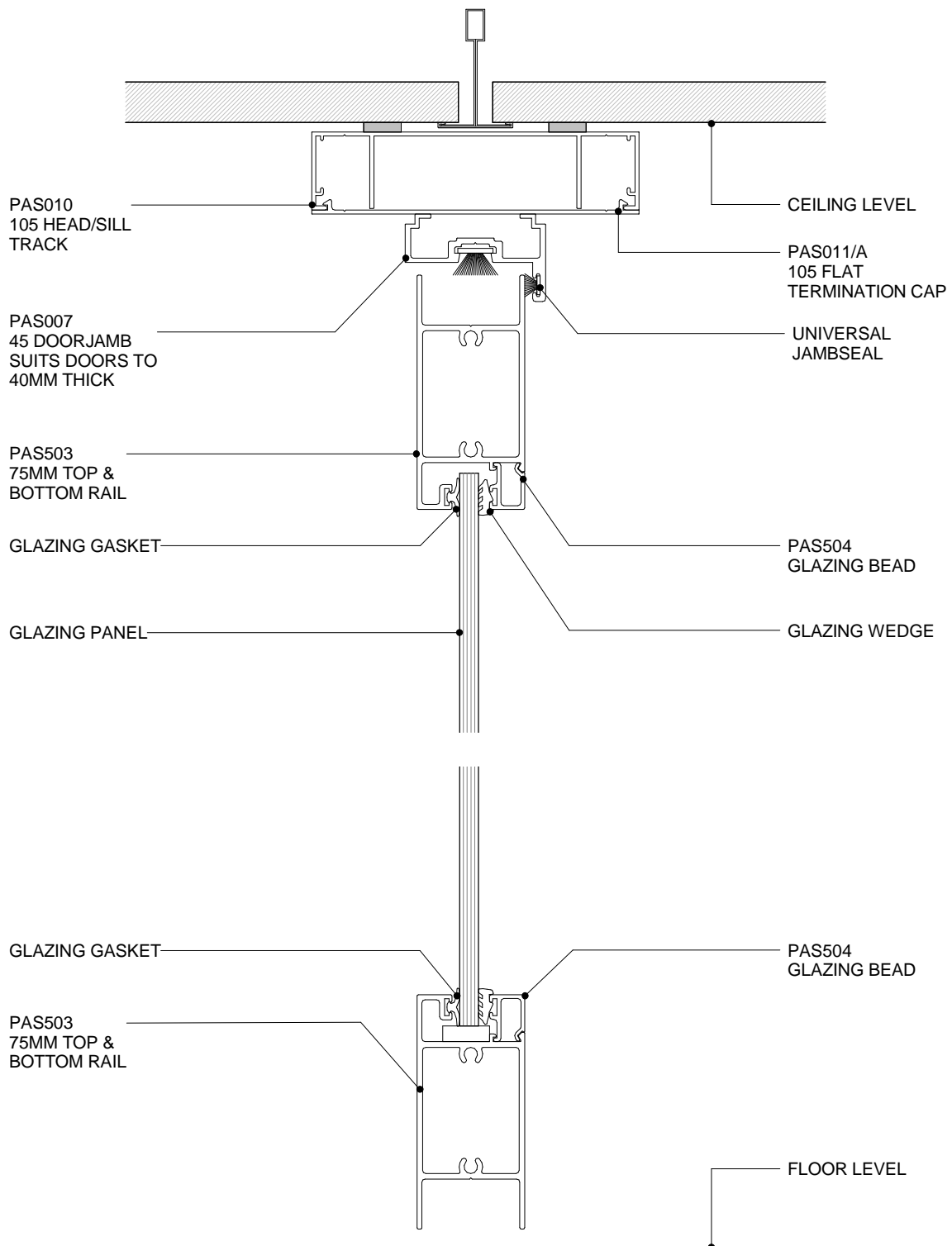
4.6.7
 SHEET

1:2@A4
 SCALE

A 01/04/2020
 ISSUED DATE

0800 POTTER (0800 768 837) WWW.POTTERS.CO.NZ
 SUBJECT TO CHANGE WITHOUT NOTICE





POTTER ALUMINIUM SYSTEMS
C SERIES 45 - DS SERIES 75MM DOOR

CROSS SECTION

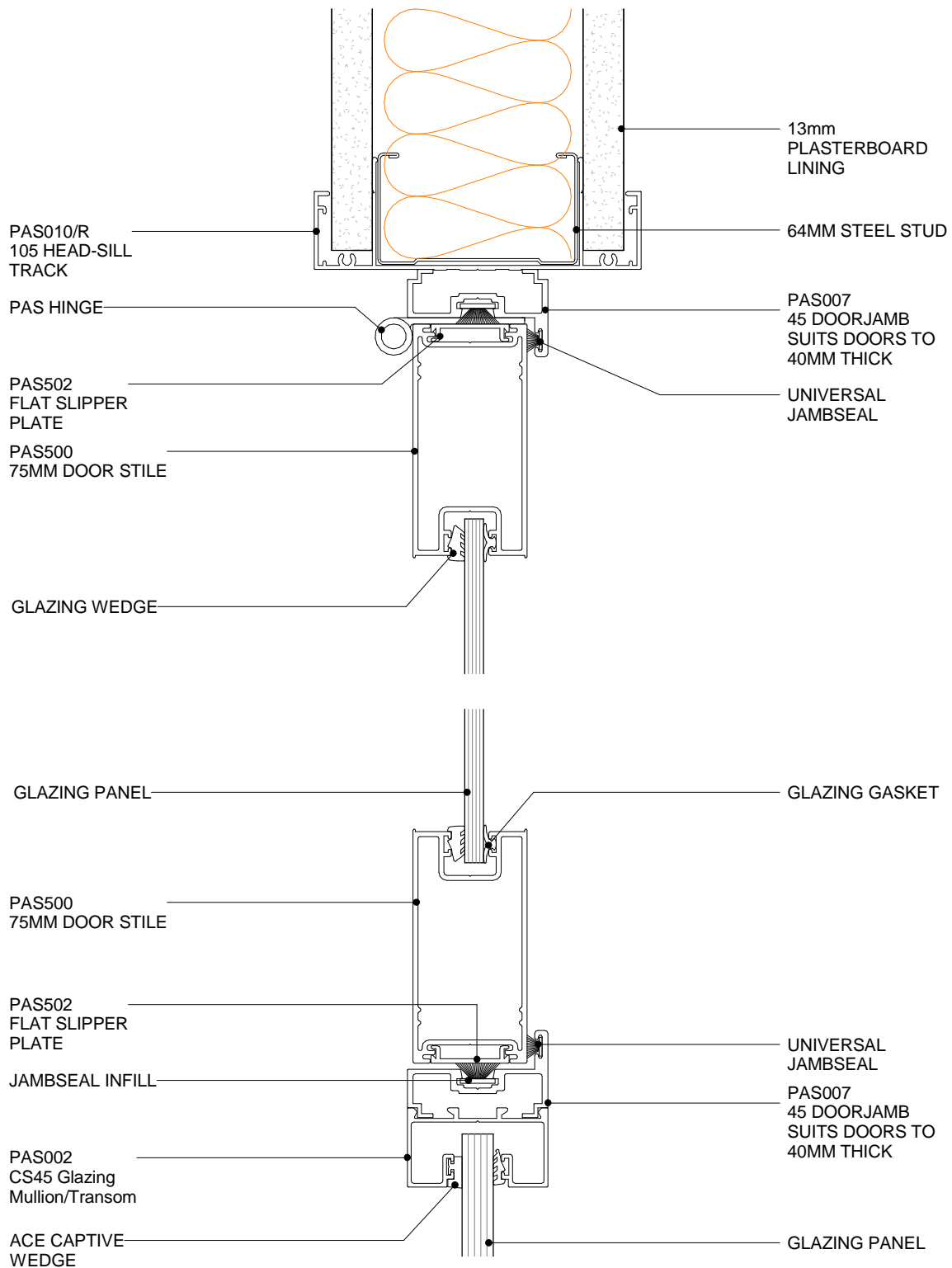
4.6.8
 SHEET

1:2@A4
 SCALE

A 01/04/2020
 ISSUED DATE

0800 POTTER (0800 768 837) WWW.POTTERS.CO.NZ
 SUBJECT TO CHANGE WITHOUT NOTICE





POTTER ALUMINIUM SYSTEMS
C SERIES 45 - DOOR TO GLAZING WITH DS SERIES 75MM DOOR
PLAN VIEW

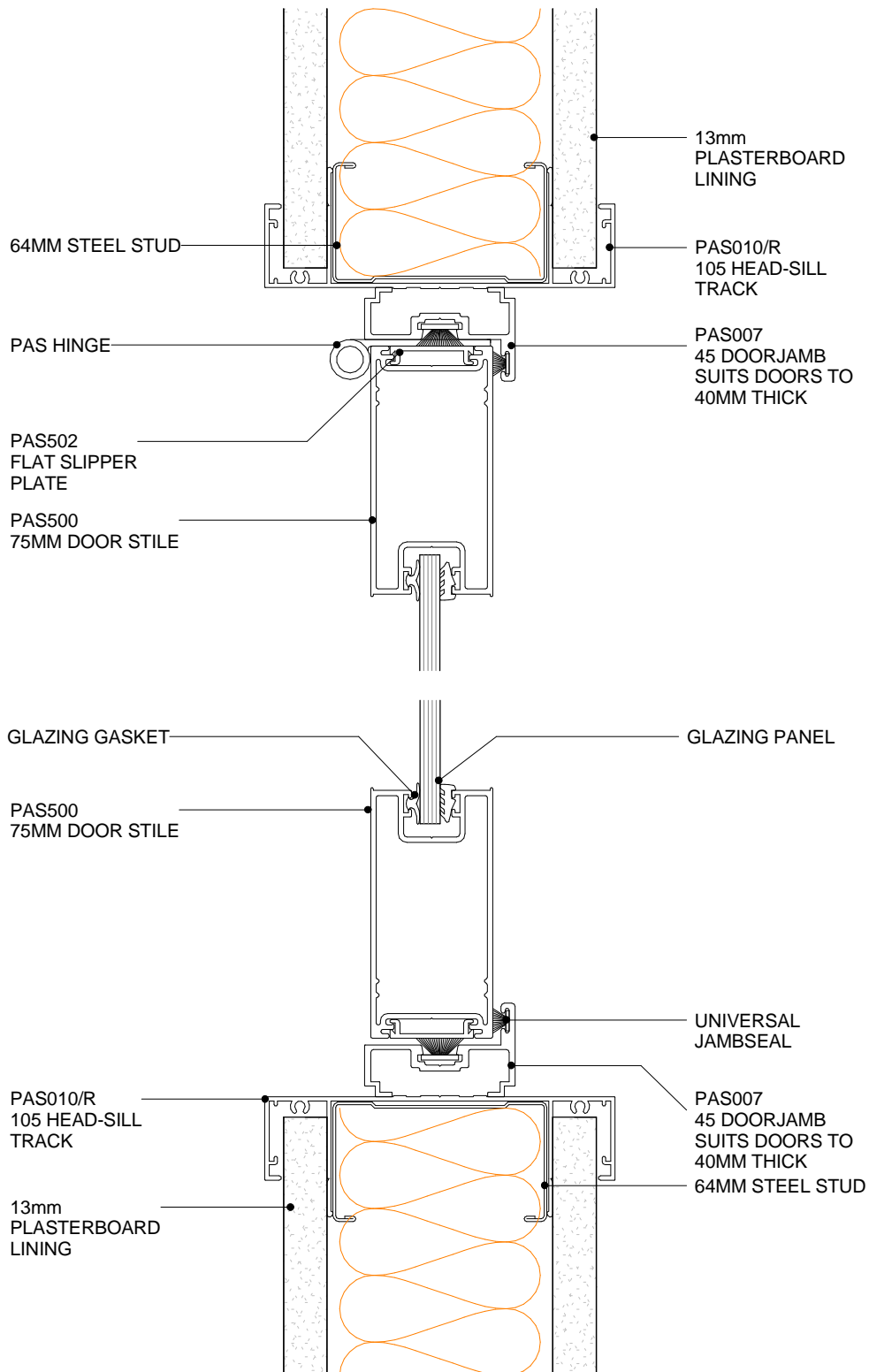
4.6.9
 SHEET

1:2@A4
 SCALE

A 01/04/2020
 ISSUED DATE

0800 POTTER (0800 768 837) WWW.POTTERS.CO.NZ
 SUBJECT TO CHANGE WITHOUT NOTICE





POTTER ALUMINIUM SYSTEMS
C SERIES 45 - DOOR OPENING WITH DS SERIES 75MM DOOR
PLAN VIEW

4.6.10
SHEET

1:2@A4
SCALE

A 01/04/2020
ISSUED DATE

0800 POTTER (0800 768 837) WWW.POTTERS.CO.NZ
SUBJECT TO CHANGE WITHOUT NOTICE

