

**TIPS FOR ARCHITECTS AND DESIGNERS:  
TYPICAL FOR ALL SUITES**

- 6MM - 13MM MAXIMUM LAMINATED GLASS SIZE
- 13MM PLASTERBOARD ONLY
- 105MM PROFILES = 64MM STUD
- 132MM PROFILES = 92MM STUD
- SD = SINGLE/DOUBLE ACOUSTIC WALL LININGS
- DD = DOUBLE/DOUBLE ACOUSTIC WALL LININGS
- FOR SOUND TRANSMISSION CLASS POINTS (STC) REFER TO THE POTTERS WEBSITE [WWW.POTTERS.CO.NZ](http://WWW.POTTERS.CO.NZ) IN THE "PARTITIONING" SECTION

**POTTER ALUMINIUM SYSTEMS  
E SERIES 105 - DETAIL REFERENCES**

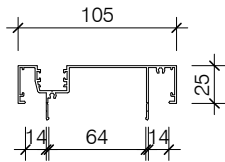
**6.2.1**  
SHEET

SCALE

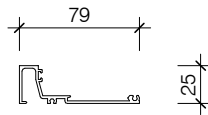
A 01/04/2020  
ISSUED DATE

0800 POTTER (0800 768 837) [WWW.POTTERS.CO.NZ](http://WWW.POTTERS.CO.NZ)  
SUBJECT TO CHANGE WITHOUT NOTICE

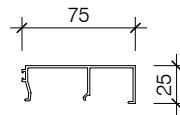




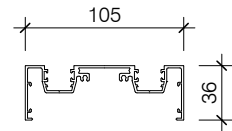
**PAS032**  
105 EDGE POCKET  
CAPPING



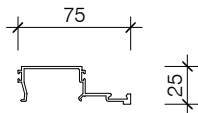
**PAS033**  
105 EDGE GLAZING  
FRAME



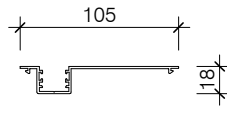
**PAS034**  
105 EDGE GLAZING  
BEAD



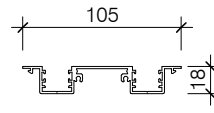
**PAS035**  
105 TWIN GLAZING  
MULLION FRAME



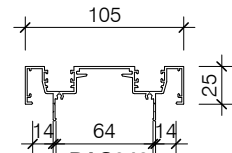
**PAS036**  
105 TWIN GLAZING  
BEAD



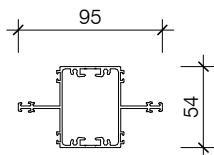
**PAS038**  
105 OFFSET  
GLAZING SNAP IN  
POCKET



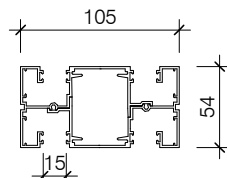
**PAS039**  
105 TWIN GLAZING  
SNAP IN POCKET



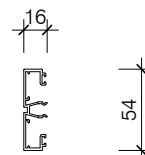
**PAS040**  
105 TWIN GLAZING  
FRAME



**PAS041**  
TWIN GLAZING  
TRANSOM



**PAS043**  
TWIN GLAZING  
FRAME



**PAS342**  
TWIN GLAZING  
TRANSOM BEAD

**POTTER ALUMINIUM SYSTEMS  
E SERIES 105 - STANDARD SUITE PROFILES**

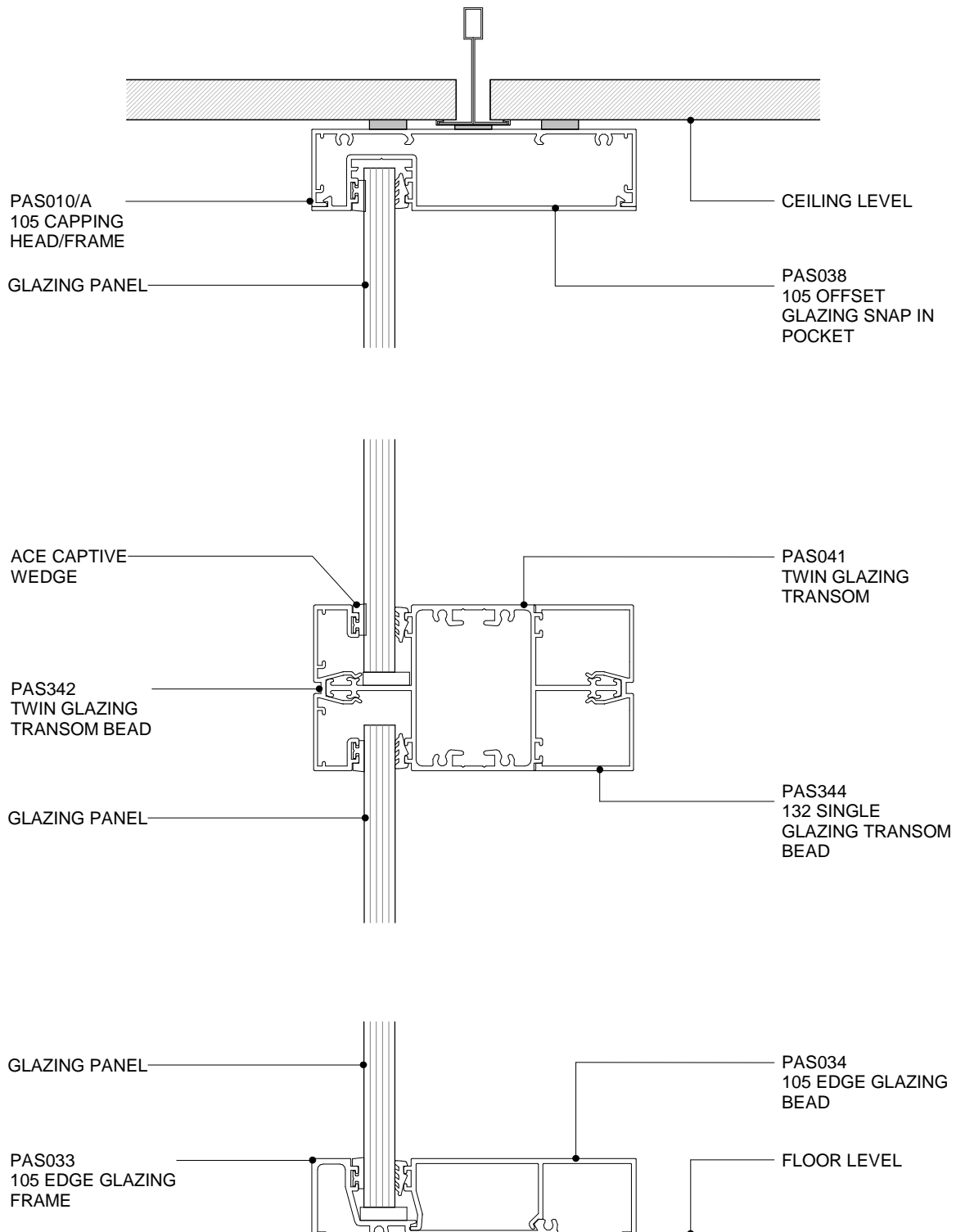
**6.3.1**  
SHEET

1:5@A4  
SCALE

A 01/04/2020  
ISSUED DATE

0800 POTTER (0800 768 837) WWW.POTTERS.CO.NZ  
SUBJECT TO CHANGE WITHOUT NOTICE





**POTTER ALUMINIUM SYSTEMS**  
**E SERIES 105 - GLAZING WALL-TRANSOM**  
**CROSS SECTION**

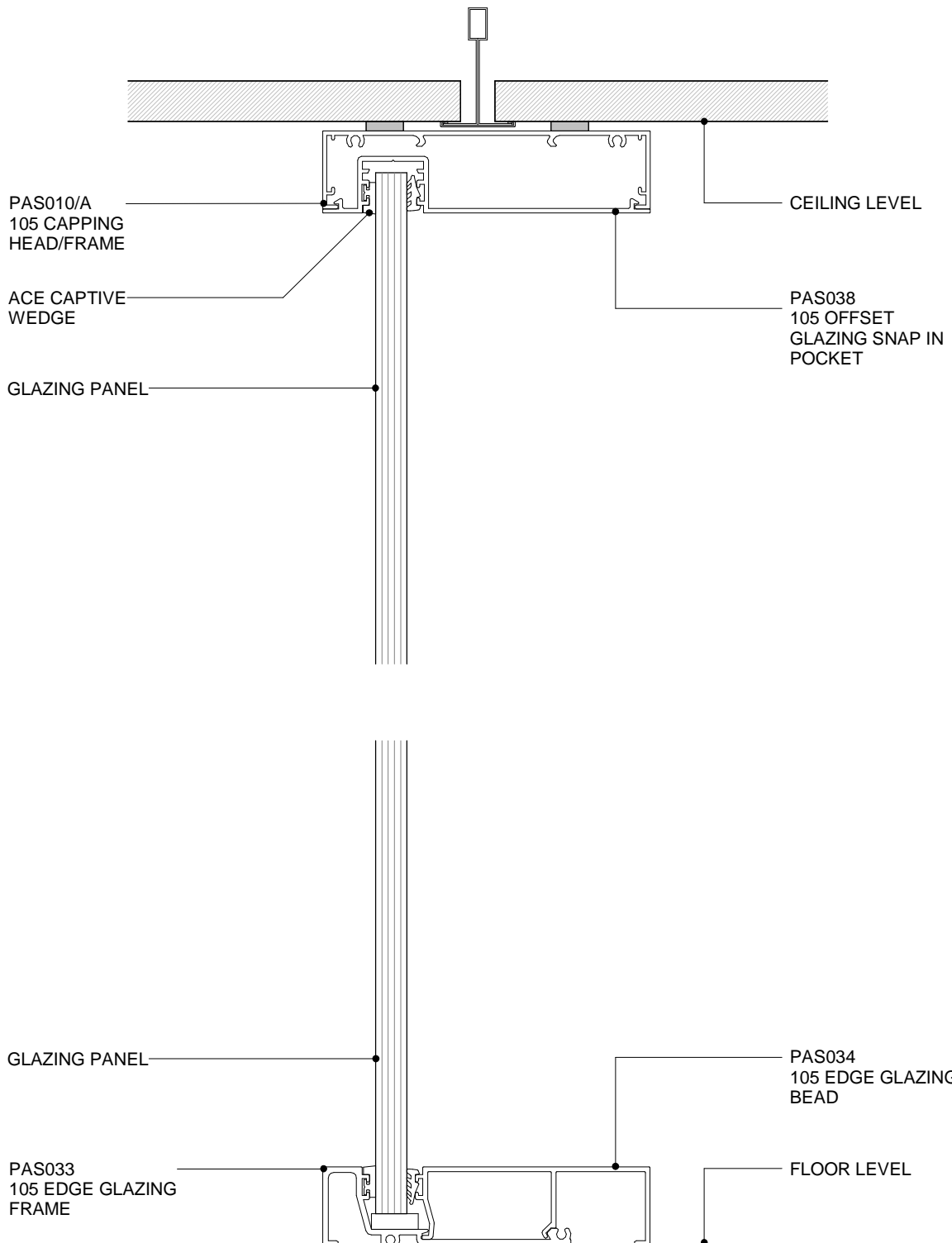
**6.5.1**  
SHEET

1:2@A4  
SCALE

A 01/04/2020  
ISSUED DATE

0800 POTTER (0800 768 837) WWW.POTTERS.CO.NZ  
SUBJECT TO CHANGE WITHOUT NOTICE





**POTTER ALUMINIUM SYSTEMS  
E SERIES 105 - LARGE GLAZING**

**CROSS SECTION**

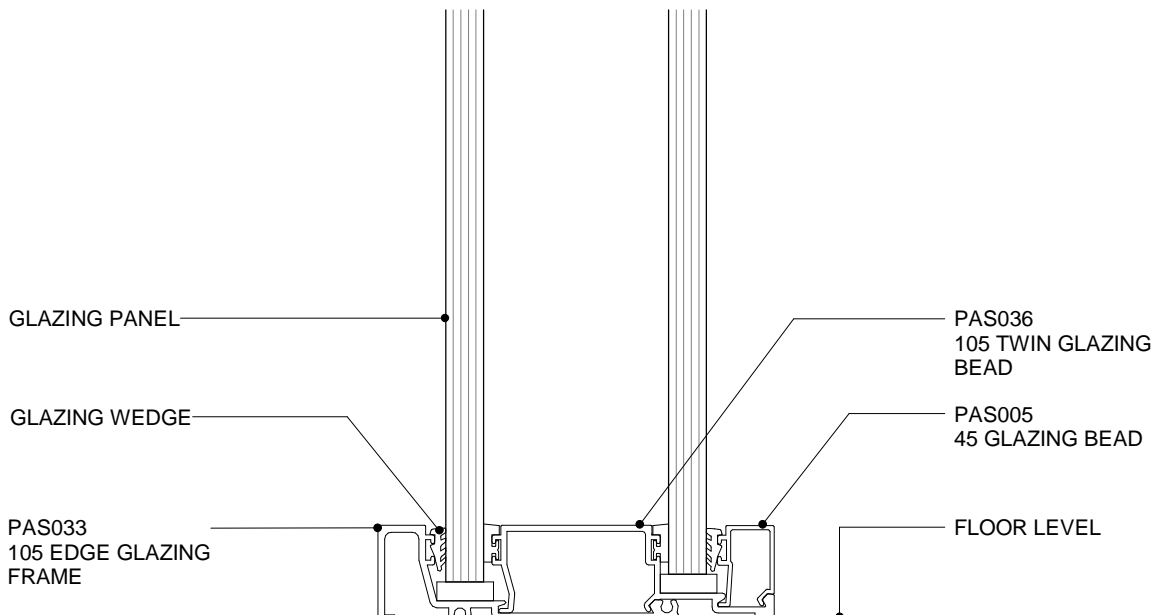
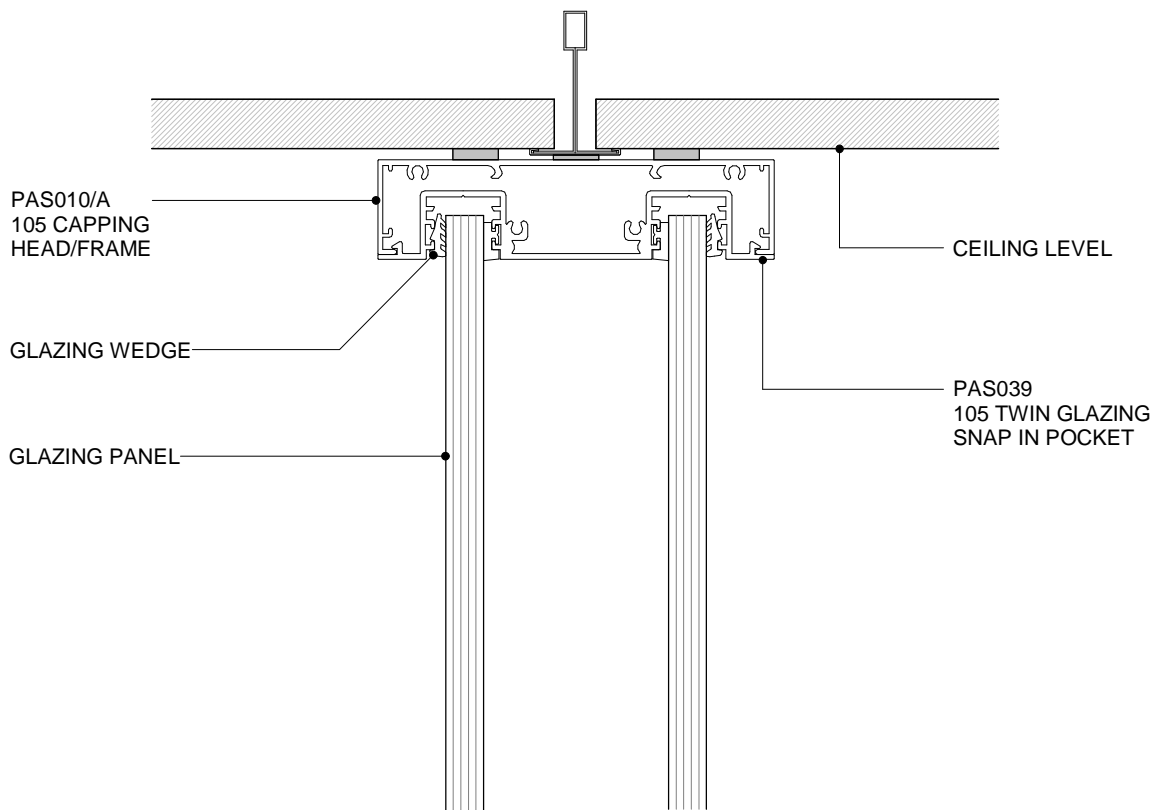
**6.5.2**  
SHEET

1:2@A4  
SCALE

A 01/04/2020  
ISSUED DATE

0800 POTTER (0800 768 837) WWW.POTTERS.CO.NZ  
SUBJECT TO CHANGE WITHOUT NOTICE





**POTTER ALUMINIUM SYSTEMS  
E SERIES 105 - TWIN GLAZING WALL**

**CROSS SECTION**

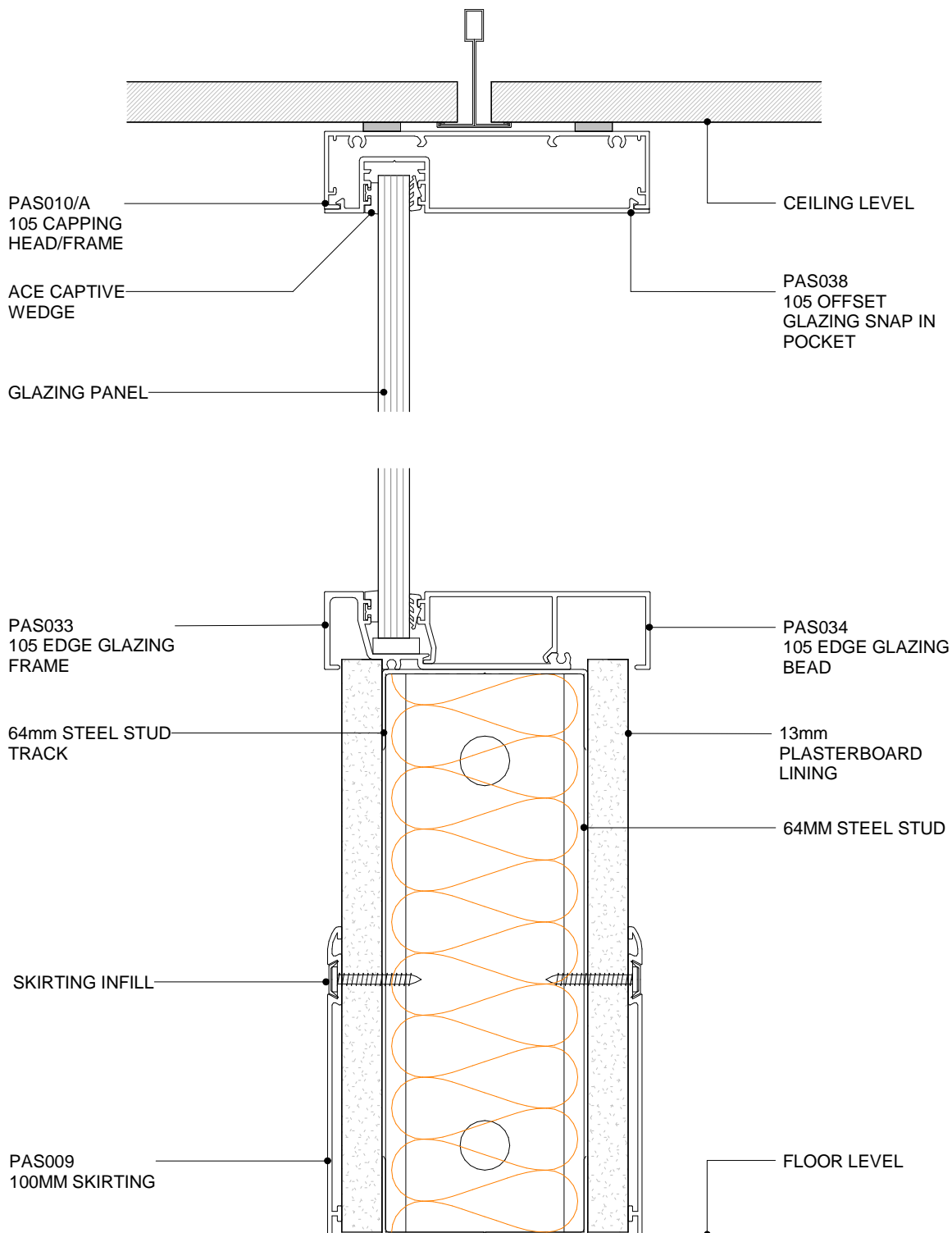
**6.5.3**  
SHEET

1:2@A4  
SCALE

A 01/04/2020  
ISSUED DATE

0800 POTTER (0800 768 837) WWW.POTTERS.CO.NZ  
SUBJECT TO CHANGE WITHOUT NOTICE





**POTTER ALUMINIUM SYSTEMS**  
**E SERIES 105 - HALF HEIGHT GLASS WALL**  
**CROSS SECTION**

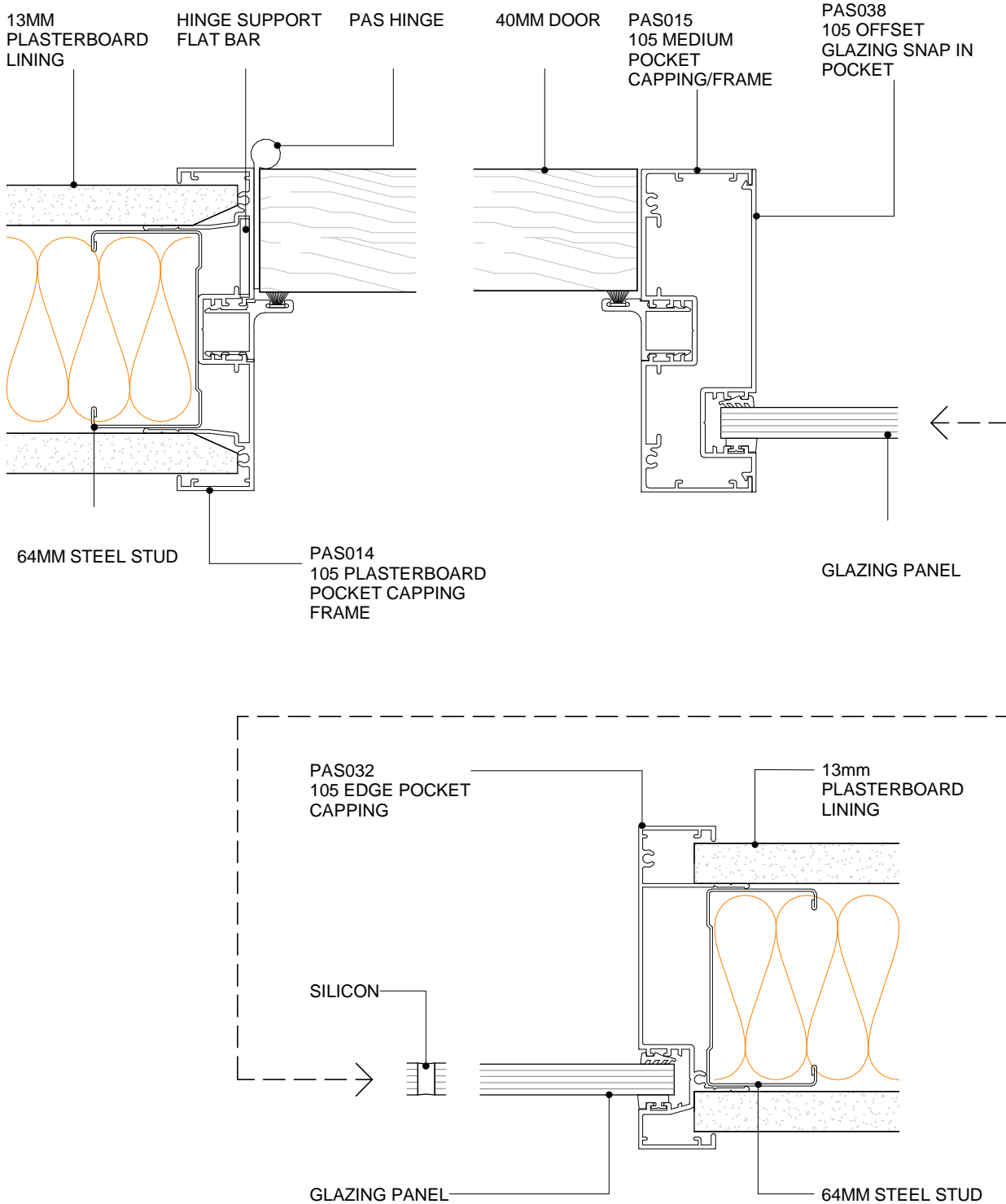
**6.5.4**  
SHEET

1:2@A4  
SCALE

A 01/04/2020  
ISSUED DATE

0800 POTTER (0800 768 837) WWW.POTTERS.CO.NZ  
SUBJECT TO CHANGE WITHOUT NOTICE





**POTTER ALUMINIUM SYSTEMS  
E SERIES 105 - DOOR GLAZING MULLIONS  
PLAN VIEW**

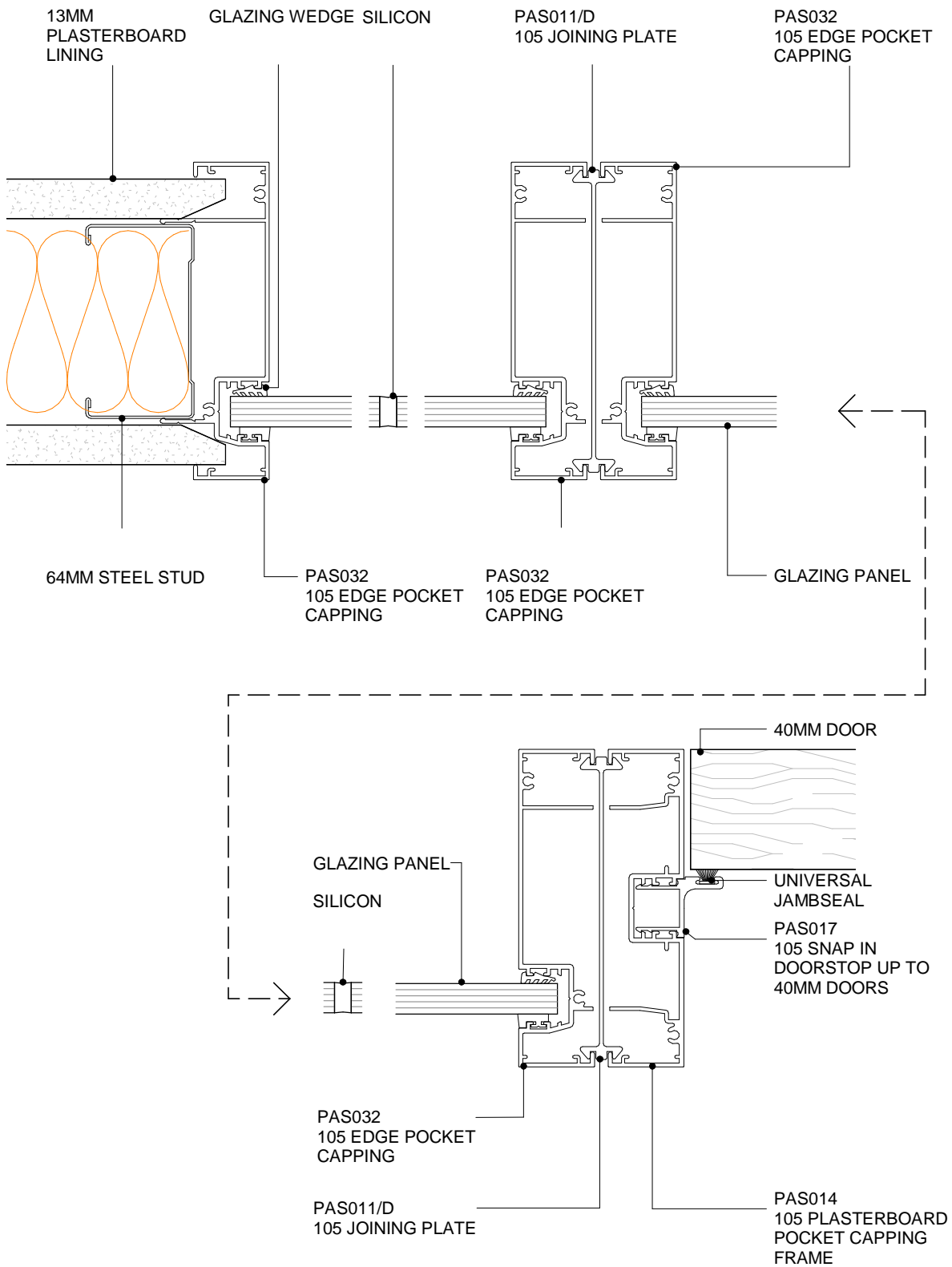
**6.5.5**  
SHEET

1:2@A4  
SCALE

A 01/04/2020  
ISSUED DATE

0800 POTTER (0800 768 837) WWW.POTTERS.CO.NZ  
SUBJECT TO CHANGE WITHOUT NOTICE





**POTTER ALUMINIUM SYSTEMS  
E SERIES 105 - GLAZING MULLIONS**

**PLAN VIEW**

**6.5.6**  
SHEET

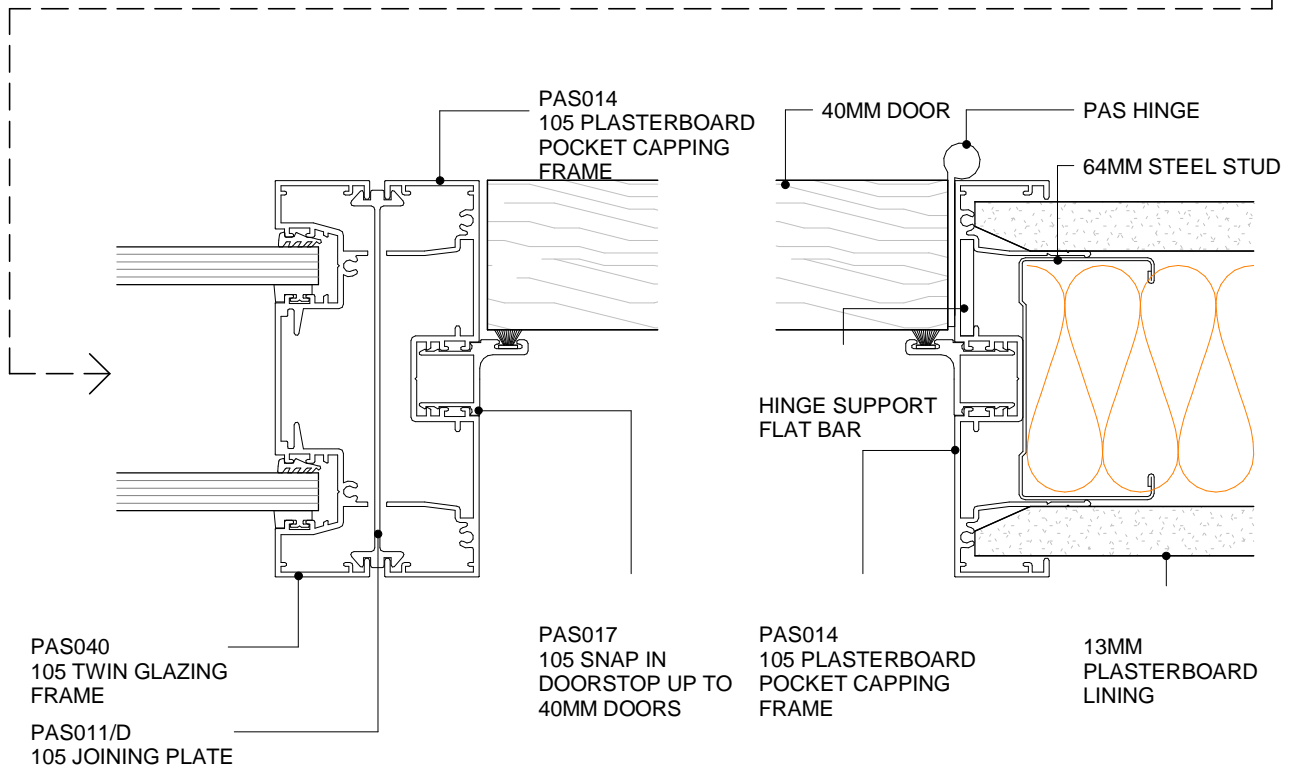
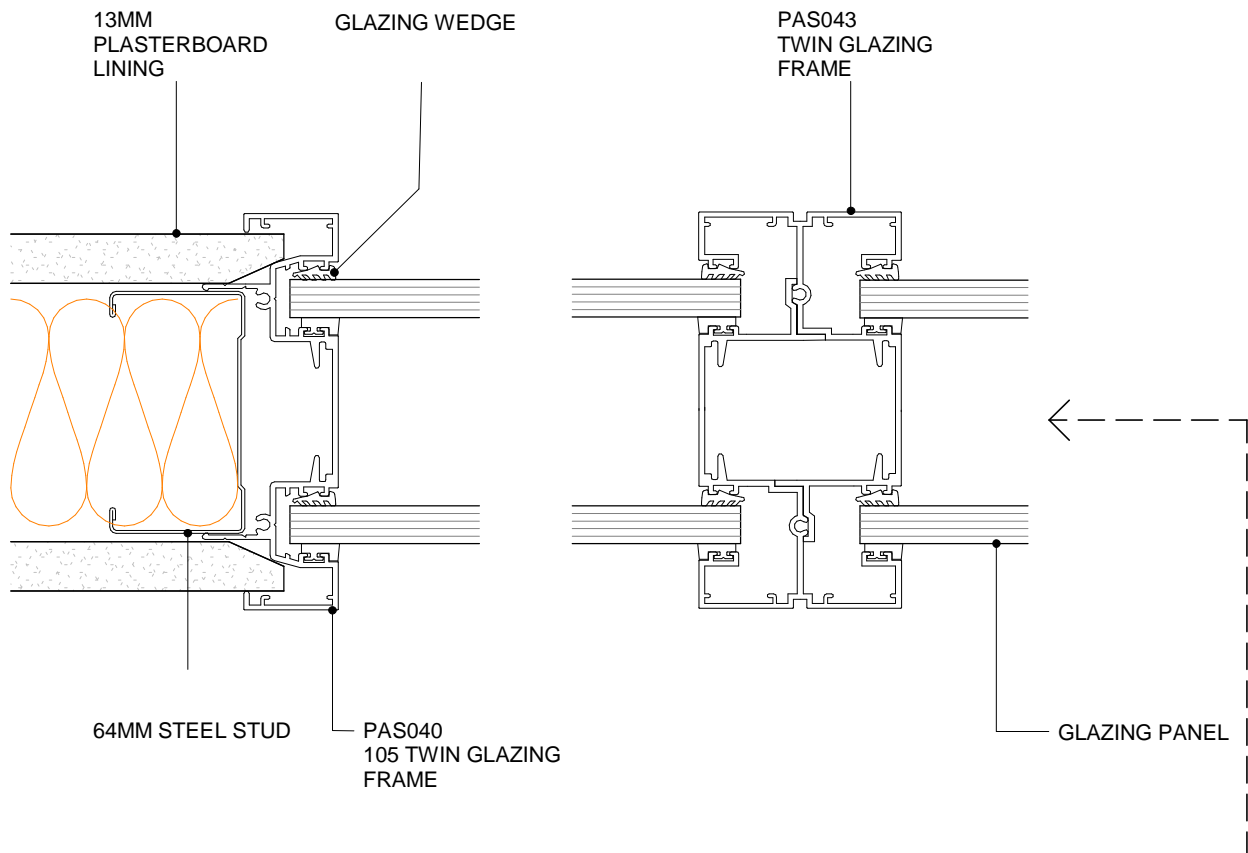
1:2@A4  
SCALE

A 01/04/2020  
ISSUED DATE

0800 POTTER (0800 768 837) WWW.POTTERS.CO.NZ  
SUBJECT TO CHANGE WITHOUT NOTICE

**CSR**





**POTTER ALUMINIUM SYSTEMS**  
**E SERIES 105 - TWIN GLAZING MULLIONS**  
**PLAN VIEW**

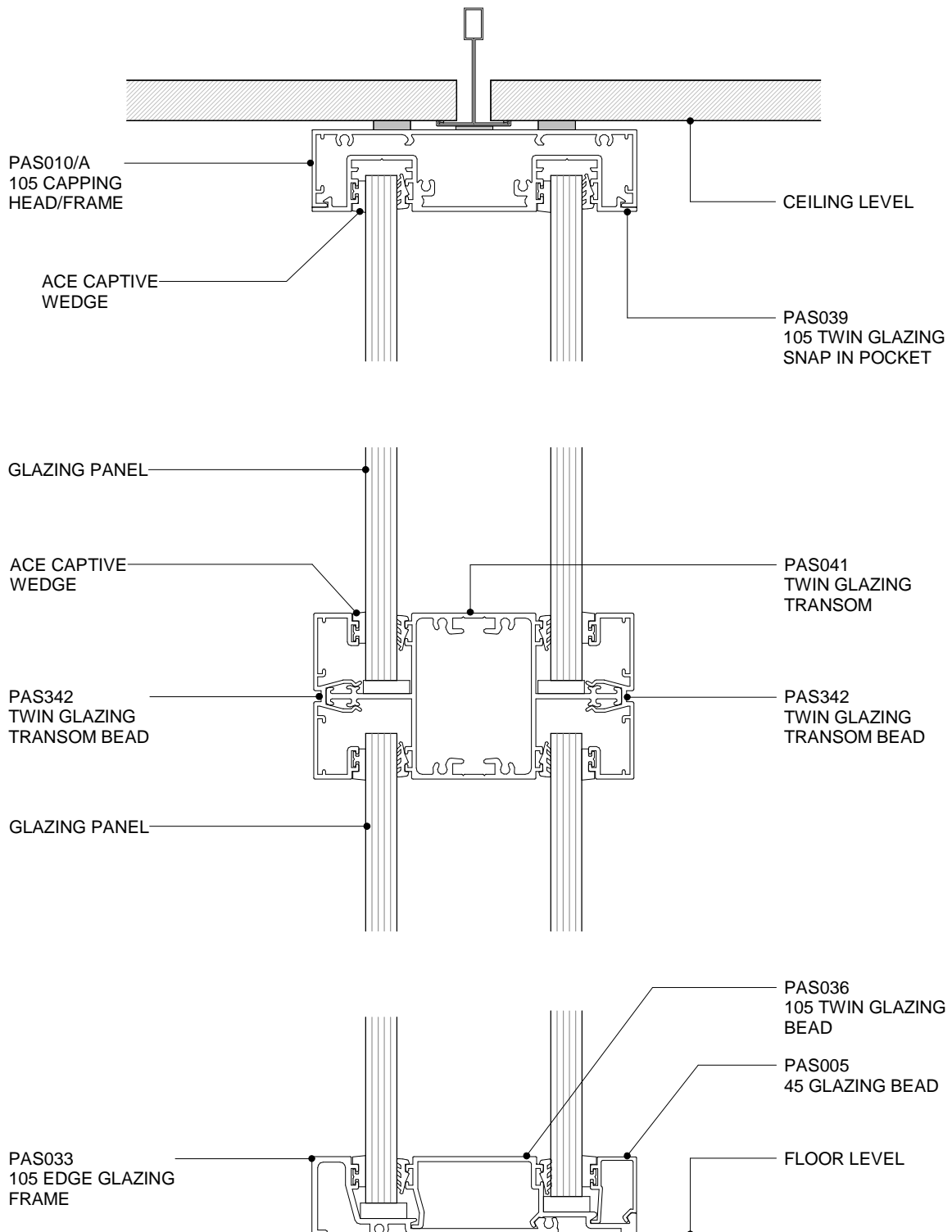
**6.5.7**  
SHEET

1:2@A4  
SCALE

A 01/04/2020  
ISSUED DATE

0800 POTTER (0800 768 837) WWW.POTTERS.CO.NZ  
SUBJECT TO CHANGE WITHOUT NOTICE





**POTTER ALUMINIUM SYSTEMS  
E SERIES 105 - TWIN GLAZING WALL TRANSOM**

**6.5.10**  
SHEET

1:2@A4  
SCALE

A 01/04/2020  
ISSUED DATE

0800 POTTER (0800 768 837) WWW.POTTERS.CO.NZ  
SUBJECT TO CHANGE WITHOUT NOTICE

