



PRODUCT TECHNICAL STATEMENT

E SERIES 132 PARTITIONS

PRODUCT SUMMARY

The E Series is a contemporary glass partition system. This robust aluminium suite offers an edgeline or twin-glazing design that delivers premium aesthetics in any commercial setting.

- Standard detail of 132mm x 25mm, 132mm x 35mm or 132mm x 50mm
- Edgeline or twin glazing design
- Can accommodate glass thicknesses between 6mm and 13mm
- Door thicknesses of 35mm – 45mm can be used
- Standard wall size based around 92mm steel stud with one layer of 13mm plaster board on each side

FINISHING OPTIONS

The suite is available in either a Mill, Anodised or Powdercoated finish. Colours include our exclusive 'Ultra Black' or a full range of colours and various MetWood finishes. An antimicrobial coating can also be applied for use in hygiene and medical spaces. We also specialise in custom specifications upon request.

DS SERIES DOORS + SLIDERS

Designed to fit with Potter aluminium partition systems a range of doors and sliders are available in numerous configurations based around the 35mm door series.



SUSTAINABILITY

- All our aluminium partition suites carry the Declare label
- Final Assembly: New Zealand. Life Expectancy: 50+ years. End of of Life Options: 100% Reusable/Recyclable

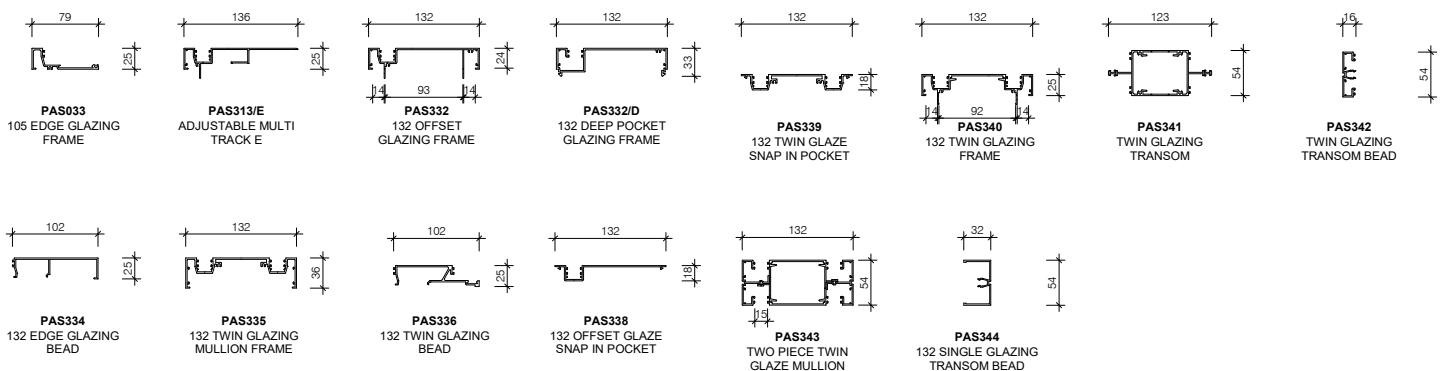
TECHNICAL SERVICES

- Specification manual including profiles, detail references, stud tables, glazing heights and bracing information
- CAD details are available as either individual components or fully assembled details for convenient transfer to specifiers drawings as DWG, .DXF, .PDF and Autodesk Revit .RVT.
- Specifications are also available with Masterspec branded sections
- To download these invaluable resources visit us at www.potters.co.nz or email specsupport@potters.co.nz

WARRANTY

- Designed and produced in New Zealand, our proven range of aluminium partitioning suites carry a ten (10) year warranty from the date of installation. (Subject to terms + conditions)

STANDARD PROFILES



0800 POTTERS

www.potters.co.nz

specsupport@potters.co.nz

A business unit of CSR Building Products (NZ) Ltd

01.02. 2022