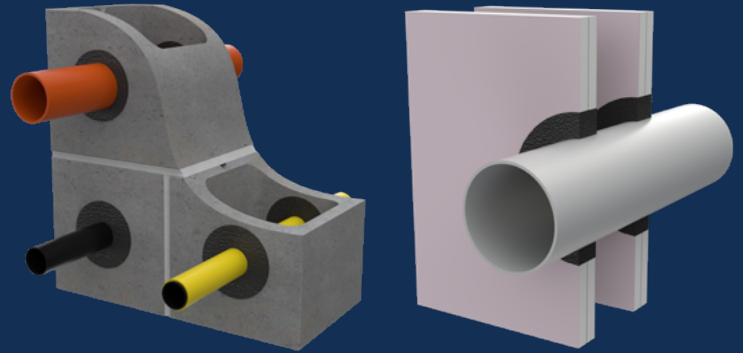


## FIREMASTIC-HPE™

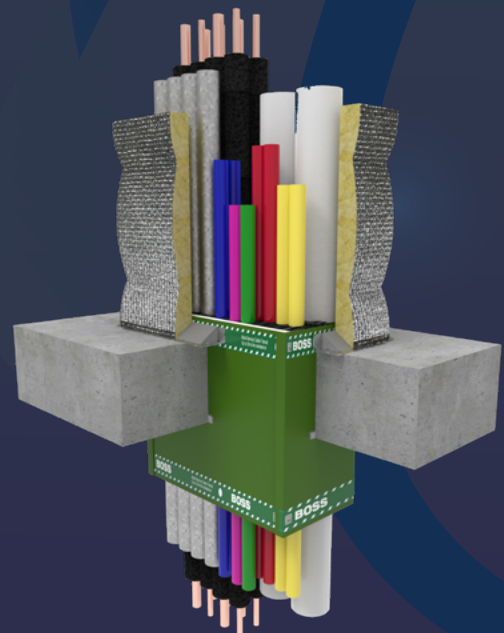
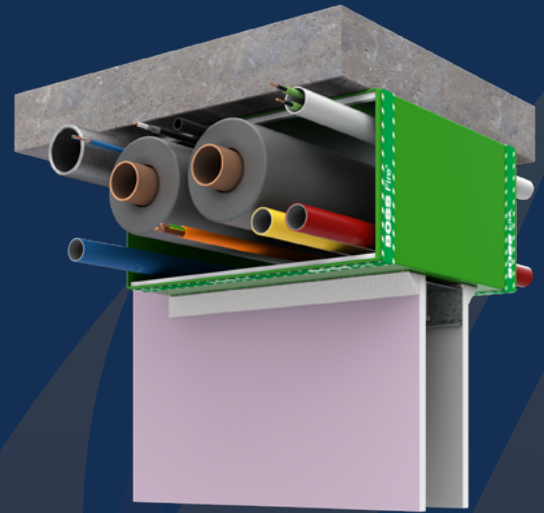
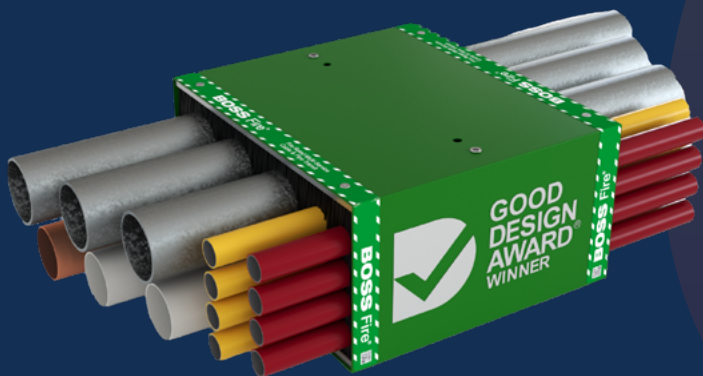
**FireMastic-HPE™** is the ultimate high pressure exerting fire sealant for combustible plumbing pipes for up to a 2HR fire rating. Under heat, FireMastic-HPE™ will expand to close and seal around cables to maintain the integrity and insulation. Suitable for a wide variety of substrates and offering an extensive range of PEX & PEX AL water & gas pipes, uPVC DWV pipes, cPVC Sprinkler Pipes and lagged copper pipes.



## BOSS FYREBOX®

**BOSS FyreBox®** is revolutionising firestopping methods for large bundles of mixed services. Designed to allow large bundles of services to all pass through one single fire rated enclosure and is the only tested and proven method of firestopping multiple services with such simplicity of installation and ease of compliance. It is commonly used service entries to an SOU, service risers, shafts, plant areas and data rooms in a variety of residential, commercial and industrial buildings. Approved plumbing services that can pass through the box include:

- PEX & PEX AL Water & Gas Pipes up to 25mm
- Lagged PEX & PEX AL Water & Gas Pipes up to 25mm
- UPVC DWV Pipes up to 55.8mm
- Steel Sprinkler Pipes up to 60.3mm
- cPVC Sprinkler Pipes up to 60.3mm
- Lagged Copper Pipes up to 50.8mm
- Unlagged Copper Pipes up to 50.8mm



Proudly distributed by:



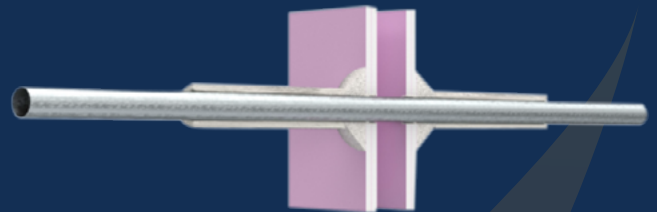
## FIREMASTIC-300™

**BOSS FireMastic-300™** intumescent fire-rated & acoustic acrylic sealant designed to resist the passage of fire, smoke and sound. FireMastic-300™ will intumesce and form a char when exposed to the heat of a fire, which will prevent the passage of fire and smoke for up to 5 hours. Suitable for a wide variety of copper, steel & iron pipes and linear gap seals.



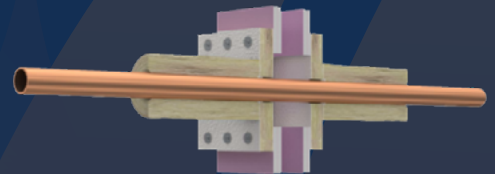
## FIRESILICONE-EMA™

**FireSilicone-EMA™** is a fire-resistant silicone sealant. It is a one-part, neutral curing silicone for construction joints and service penetrations. With excellent flexibility and weatherability, it offers up to 300 minutes fire resistance. It can also be used to seal a variety of steel, copper & iron pipes in walls and floors when partnered with BOSS Thermal Defence Wrap.



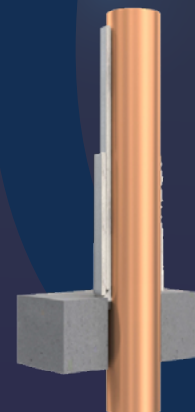
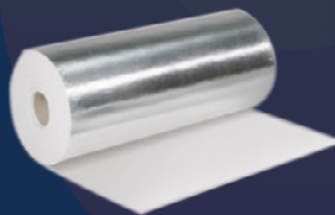
## P40-MAK WRAP

**P40-MAK Wrap™** is a lightweight thermal wrap, providing high performance insulation for copper, steel & iron pipes. Consisting of medium density mineral fibre insulation, lined on one face with reinforced aluminium foil backing. When used in conjunction with other high performance BOSS penetration seals, BOSS P40-MAK Wrap™ will increase the insulation rating of the installed system by up to 120 minutes.



## THERMAL DEFENCE WRAP

**Thermal Defence Wrap** is an ultra-thin high performance insulation wrap used on lagged and unlagged Copper, Steel & Iron Pipes in a variety of different wall and floor penetrations. The Thermal Defence Wrap is designed to maintain necessary insulation on metal or heat conductive services and used when access and space around services is very tight.



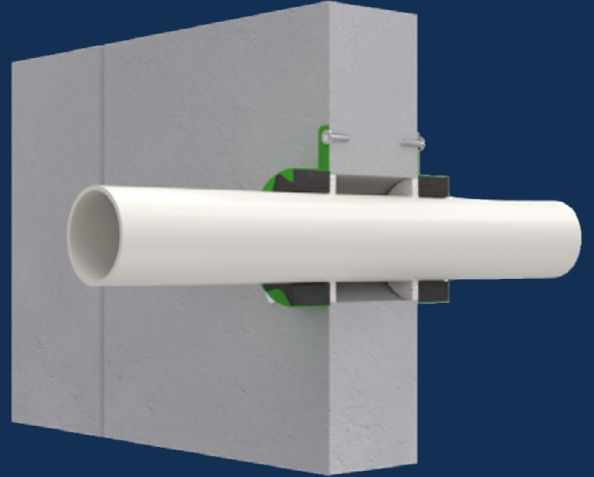
Proudly distributed by:



## MAXICOLLARS™

**BOSS MaxiCollars™** set new standards in the use of retrofit pipe collars. With a unique design and advanced intumescent technology, MaxiCollars™ provide one of the highest expansion rates available on pipe collars, providing a high performance fire protection. Coupled with a unique profile of only 30mm or 40mm depth, MaxiCollars™ are suitable for a wide range of substrates and pipes types including;

- uPVC DWV Pipes
- cPVC Sprinkler Pipes
- Lagged Steel, Copper & Iron Pipes with Thermobreak® Pipe Insulation
- A/C Paircoil Bundles
- PEX Water Pipes
- PEX AL Gas Pipes
- PP-R Pipes (Aquatherm)
- HDPE Pipes



## RETROFIT COLLARS

**BOSS Retrofit Fire Collars** prevent the spread of fire where uPVC plumbing pipes penetrate fire rated plasterboard concrete or masonry walls and concrete floor slabs. The retrofit collars are an easy to install fire collar that offers cost effective high performance firestopping. Approvals for PVC pipes on walls and floors.



## UNIWRAP®

**UniWrap®** is designed and tested to seal combustible pipes and lagged metal pipes penetrations using graphite intumescent technology. UniWrap® comes in 20m long rolls that can be cut to length to suit a wide variety of pipe diameters making it incredibly versatile and easy to store and carry to site. It is designed to be fitted into a wall or floor substrate, ideal when a pipe elbow is fitted tight to a wall or floor. UniWrap® is approved in a wide variety of substrates. Approvals for a wide variety of services include:

- uPVC Pipes
- cPVC Sprinkler Pipes
- Lagged Steel, Copper & Iron Pipes with Thermobreak® Pipe Insulation
- Steel Sprinkler Pipes
- PEX Water Pipes



Proudly distributed by:



## PENOPATCH

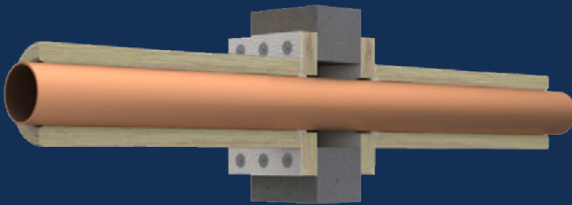
**PenoPatch™** is a low cost, simple method of sealing blank openings and small pipes and conduits in a range of 1hr fire walls. Made with a fire resistant advanced formula putty with a strong bonding capability, the BOSS PenoPatch™ simply presses onto the all around the service and provides up to a 60 minute fire rating. Can be applied in just 30 seconds. BOSS PenoPatch™ is supplied in the form of a 60mm or 100mm diameter discs in packs of 20 units. Approvals for a wide variety of services:

- Small PEX Pipes
- Small Steel & Copper Pipes
- Small aperture seals



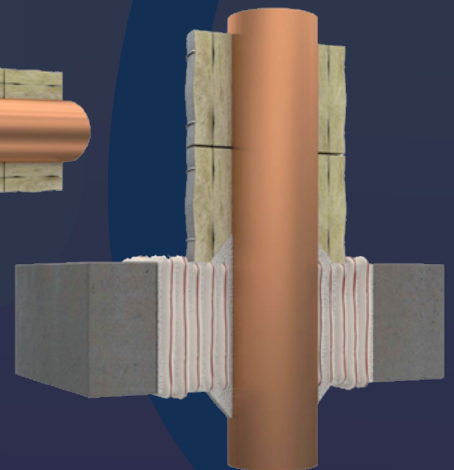
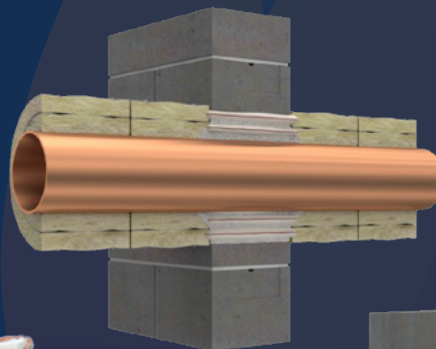
## BOSS BATTS

**BOSS Batts** are designed to provide simple and effective compartmentalisation and fire stopping in walls and floors. BOSS Batts consist of high-density mineral fibre batt with an Ablative Coating. BOSS Batts provide excellent protection for oversize penetrations containing copper, steel & iron pipes and various plastic pipes. BOSS Batts can be friction fitted into various substrates, or fixed external to the penetration.



## BOSS FIREPILLOWS-240™

**BOSS FirePillow-240™** are best suited to environments where non insulated copper, steel & pipes penetrate concrete floor slabs & concrete or masonry walls in service risers, shafts, plant areas and car parks. FirePillow-240™ are designed to fire rate wall and floor penetrations which may incorporate copper, steel & iron pipes where up to 3 hours integrity and 2 hours insulation are required. BOSS FirePillows-240™ are treated fabric bags containing fire retardant granulated rockwool, securing penetrations in fire rated construction against the spread of fire.



Proudly distributed by:

