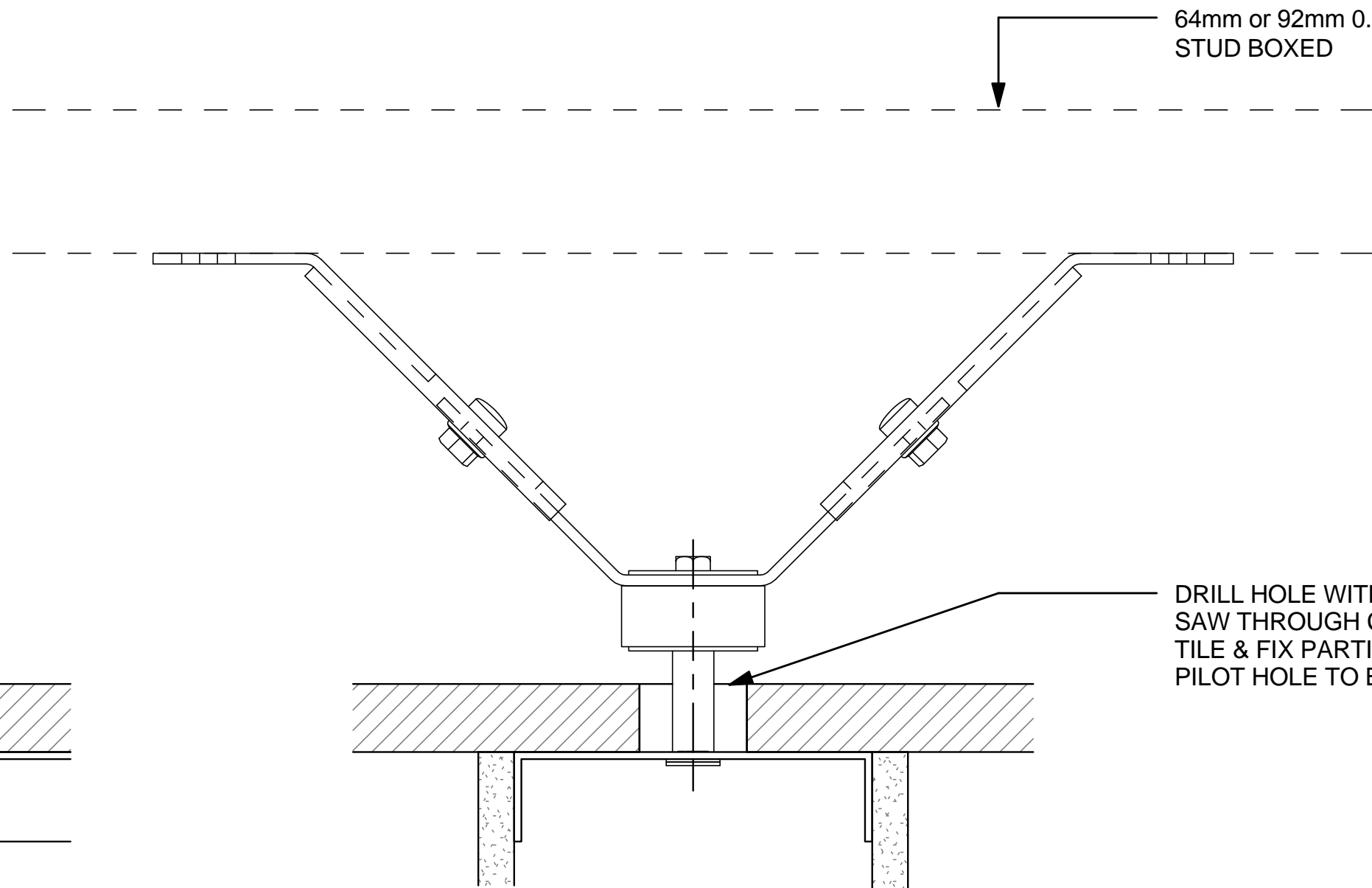
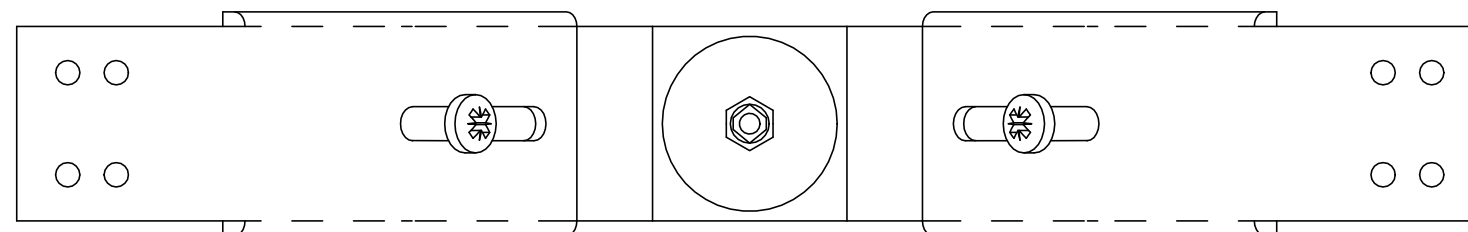


END ELEVATION



SIDE ELEVATION



PLAN VIEW

64mm or 92mm 0.75 BMT
STUD BOXED

DRILL HOLE WITH HOLE
SAW THROUGH CEILING
TILE & FIX PARTITION VIA
PILOT HOLE TO BRACKET

TRACKLOK™
SPT-10 © NZ Pat App#616564