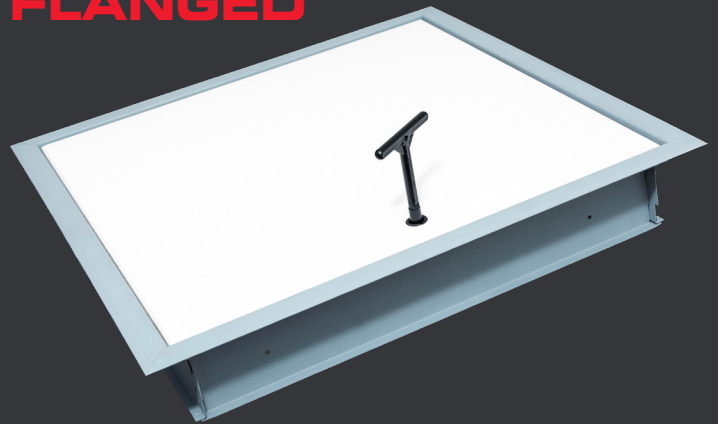


# STANDARD HATCHES

## SET BEAD



## FLANGED



Our Flanged and Set Bead Standard Hatches are available in a range of sizes. The frames are made in New Zealand from strong 0.95BMT Z275 steel with punched folded tab system ensuring strength and square dimensions.

**FEATURES:** 15mm pre primed MDF lid | Hettich German Concealed Hinges | Square Key Cam Lock.



### SET BEAD ACCESS PANEL

### CODE

300 x 300mm	UH300SBEAD
450 x 450mm	UH450SBEAD
530 x 530mm	UH530SBEAD
560 x 560mm	UH560SBEAD
600 x 600mm	UH600SBEAD

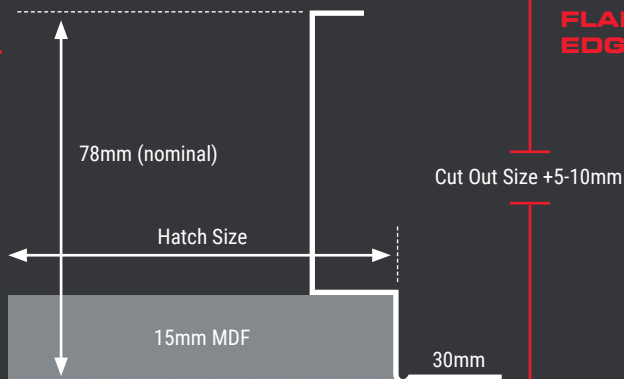


### FLANGED ACCESS PANEL

### CODE

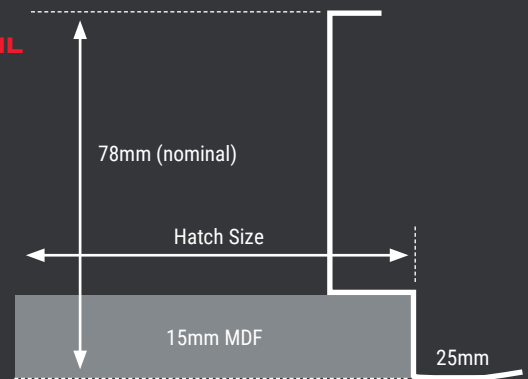
300 x 300mm	UH300FLAN
450 x 450mm	UH450FLAN
530 x 530mm	UH530FLAN
560 x 560mm	UH560FLAN
600 x 600mm	UH600FLAN

### SET BEAD EDGE DETAIL



\*Not drawn to scale.

### FLANGE EDGE DETAIL



**UNIHATCH**

+64 21 866 672

## UNIHATCH CUSTOM HATCHES

Unihatch specialise in custom size access panels manufactured to application request. Smoke Seals, Acoustic, Fire Rated and tile Hatches available.

Different lock options available: Keyed Alike | Budget Lock | Snap Lock



06584  
PUUFSTDPDI  
DGPPUUFSTDPDI