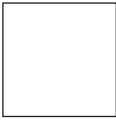
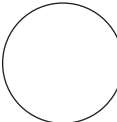
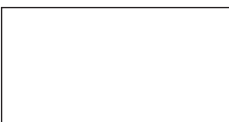

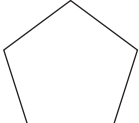
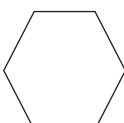
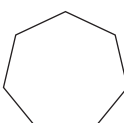
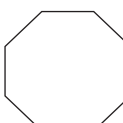




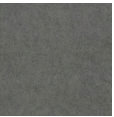






DATA SHEET AMBIENCE CLOUD

Application	Designed for horizontal hanging acoustic treatment in commercial applications.
Benefits	Sophisticated decorative finish with acoustic performance. Made from recycled PET post-consumer packaging such as empty drink bottles. Contains no VOCs. Easy installation with Himmel suspension system from ceiling grid or soffit.

Dimensions				
	Square 1200 x 1200 x 25 mm	Circle ø 1200 x 25 mm	Rectangle 2400 x 1200 x 25 mm	Triangle 1039 x 1200 x 25 mm
Dimensions				
	Pentagon 1139 x 1198 x 25 mm	Hexagon 1040 x 1200 x 25 mm	Heptagon 1168 x 1198 x 25 mm	Octagon 1200 x 1200 x 25 mm

Each / Carton	Square, Circle, Triangle, Pentagon, Hexagon, Heptagon, Octagon: 4 per carton Rectangle: 6 per carton
----------------------	---

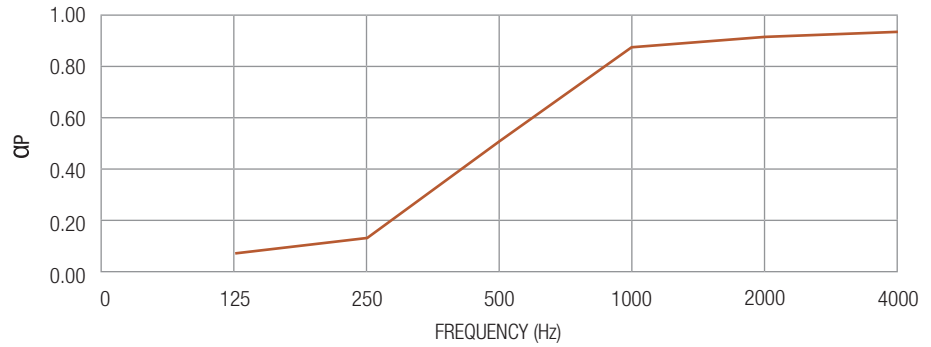
Material	100% polyester.
-----------------	-----------------

Colours								
	LILY	ORCHID	ACACIA	GUM	REED	EUCALYPT	MALLEE	POD
Colours								
	WATTLE	FERN	BANKSIA	KANGAROO PAW	JACARANDA	SUCCULENT	THISTLE	DIANELLA

Green Star Certification		GreenTagCert™ GreenRate Level A.
---------------------------------	---	----------------------------------

Disclaimer: The contents of this brochure are copyright protected and may not be reproduced in any form without prior written consent of CSR Himmel. Recommendations and advice regarding the use of the products described in this brochure are to be taken as a guide only, and are given without liability on the part of the company or its employees. We reserve the right to change product specifications without prior notification, please refer to the CSR Himmel website for the latest version of this document. The purchaser should independently determine the suitability of the product for the intended use and application.

Sound Absorption



Acoustic Performance

Frequency (Hz)	125	250	500	1000	2000	4000	NRC
Ambience Cloud	0.03	0.19	0.58	0.87	0.96	0.97	0.65

Effective Absorption Area Per Unit (metric Sabine)

Shape	Area (m ²) each	Sabines each (m ²)	Shapes per carton	Sabines (m ²) per carton
Square	1.44	0.94	4	3.74
Circle	1.13	0.73	4	2.94
Rectangle	2.88	1.87	6	11.23
Triangle	0.62	0.40	4	1.61
Pentagon	0.94	0.61	4	2.44
Hexagon	0.94	0.61	4	2.44
Heptagon	0.99	0.64	4	2.57
Octagon	1.02	0.66	4	2.65

Tested in accordance with AS/ISO 354:2006 by the Auckland University Acoustic Testing Service

Available for concrete soffit, ceiling grid and plasterboard.

Suspension Systems

Shape	Kits Required per cloud
Square	4
Circle	3
Rectangle	6
Triangle	3
Pentagon	4
Hexagon	4
Heptagon	4
Octagon	4

Humidity Resistance

Exposed to an atmosphere of 30°C at 90% Relative Humidity for 7 days gives moisture absorption of less than 0.003% by weight.

Light Reflection

91 for Himmel Flat Felt Lily. Tested to ASTM E1477-98a.

Warranty

10 years product warranty.

Fire Resistance

Complies with AS 5637.1 and is tested to ISO 9705 and achieves Group 1 SMOGRA less than 100 m²/s² x 1000. Achieves Group 1-S (Smoke Production Rate not more than 5 m²/s) classification with C/M2 of the New Zealand Building Code when tested in accordance with ISO 9705.

Available From