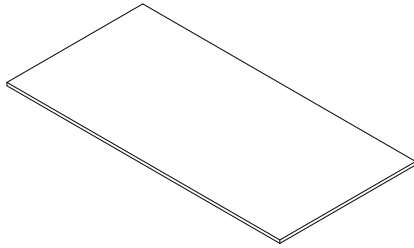


DATA SHEET AMBIENCE FLAT CEILING TILE

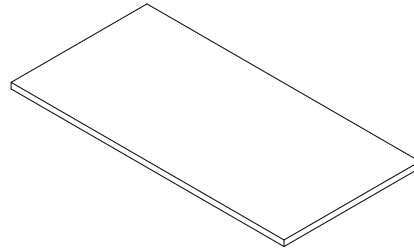
Application Designed for standard drop-in ceiling grid systems in commercial applications.

Benefits Sophisticated decorative finish with acoustic performance.
Made from recycled PET post-consumer packaging such as empty drink bottles.
Contains no harmful VOC.

Dimensions



Ambience Flat Ceiling Tile
1195 x 595 x 13 mm
Thickness tolerance is +/- 1 mm





Ambience Flat Ceiling Tile Plus
1195 x 595 x 25 mm
Thickness tolerance is +/- 1 mm

Each / Carton Tile: 8 per carton
Tile Plus: 4 per carton

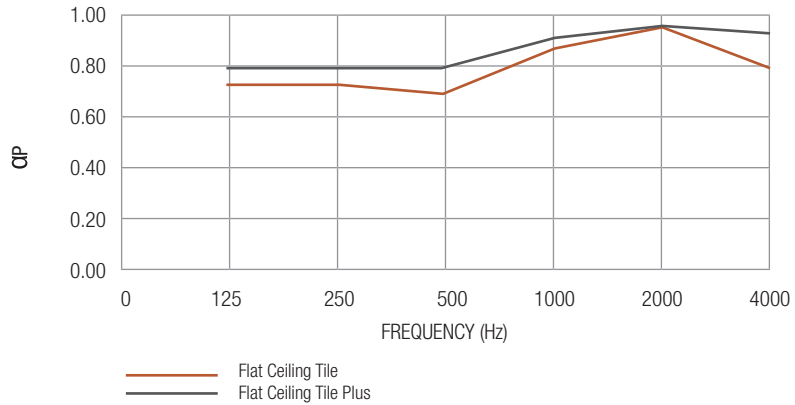
Material 100% polyester.

Colours

							
LILY	ORCHID	ACACIA	GUM	REED	EUCALYPT	MALLEE	POD
							
WATTLE	FERN	BANKSIA	KANGAROO PAW	JACARANDA	SUCCULENT	THISTLE	DIANELLA

Green Star Certification  Ecospecifier Global Green Tag Certified.

Sound Absorption

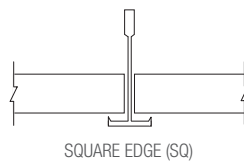


Acoustic Performance

Frequency (Hz)	125	250	500	1000	2000	4000	NRC
Flat Ceiling Tile	0.75	0.75	0.70	0.85	0.95	0.95	0.80
Flat Ceiling Tile Plus	0.80	0.80	0.80	0.95	1.00	0.95	0.90

Tested with a 400mm plenum space in accordance with AS/ISO 354 – 2006 at The University Of Auckland Acoustics Testing Service.

Edge Detail



Humidity Resistance

Exposed to an atmosphere of 30°C at 90% Relative Humidity for 7 days gives moisture absorption of less than 0.003% by weight.

Light Reflection

91 for Himmel Flat Felt Lily. Tested to ASTM E1477-98a.

Warranty

10 years product warranty.

Fire Resistance

Complies with AS 5637.1 and is tested to AS/ ISO 9705 and achieves Group 1 SMOGRA less than 100 m²/s² x 1000. Achieves Group 1-S (Smoke Production Rate not more than 5 m²/s) classification with C/VM2 of the New Zealand Building Code when tested in accordance with ISO 9705.

Disclaimer: The contents of this brochure are copyright protected and may not be reproduced in any form without prior written consent of CSR Himmel. Recommendations and advice regarding the use of the products described in this brochure are to be taken as a guide only, and are given without liability on the part of the company or its employees. We reserve the right to change product specifications without prior notification, please refer to the CSR Himmel website for the latest version of this document. The purchaser should independently determine the suitability of the product for the intended use and application.

Available From



POTTER
INTERIOR SYSTEMS

0800 POTTERS
info@potters.co.nz