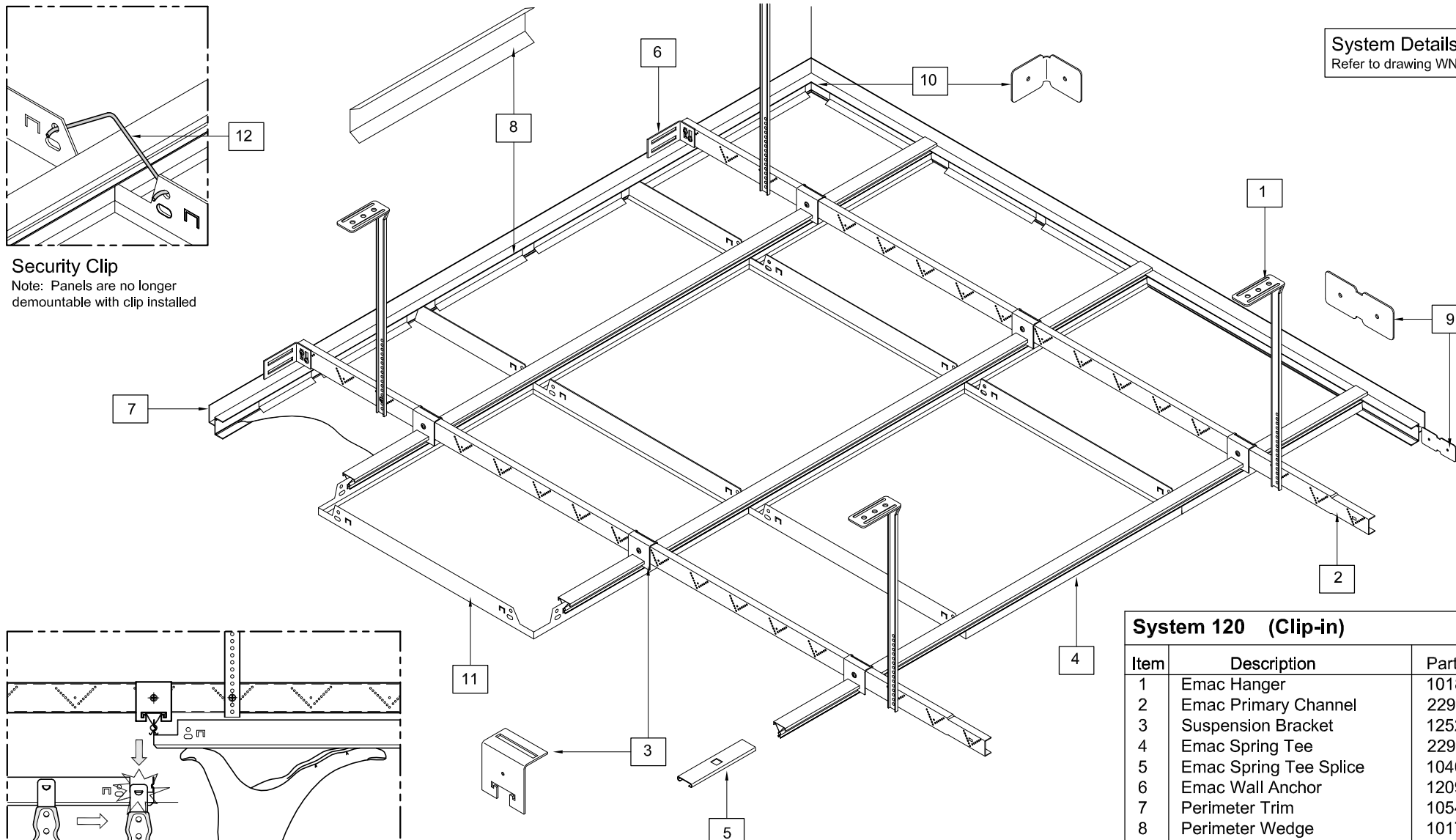
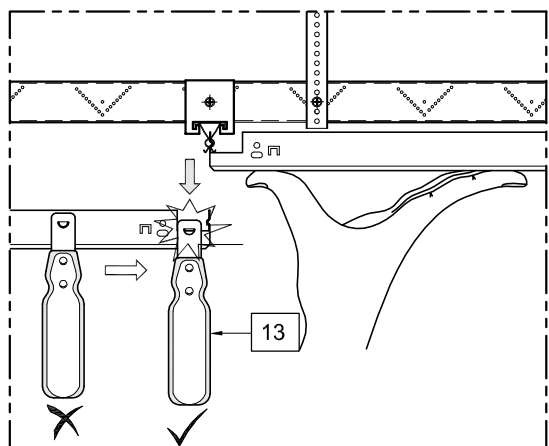


System Details:
Refer to drawing WN 0040



Security Clip
Note: Panels are no longer demountable with clip installed



ACCESS TOOL

INSERT INTO CORNERS OF TILES ONLY AND PULL DOWN FOR ACCESS.

System 120 (Clip-in)		
Item	Description	Part No.
1	Emac Hanger	10185-92
2	Emac Primary Channel	22975
3	Suspension Bracket	12522
4	Emac Spring Tee	22976
5	Emac Spring Tee Splice	10408
6	Emac Wall Anchor	12097
7	Perimeter Trim	10546
8	Perimeter Wedge	10178
9	TCP 180 Splice	10534
10	TCP 90 Splice	10536
11	System 120 Clip-in Tile	
12	Security Clip	21572
13	Access Tool	10196

SAS International
31 Suttons Business Park
London Road, Reading
Berkshire RG6 1AZ
United Kingdom
Tel: +44 (0)118 929 0900
Fax: +44 (0)118 929 0901
www.sasint.co.uk

WORKNORM PATH
FOLDER SYSTEM
FOLDER 120
FOLDER APPLICATION

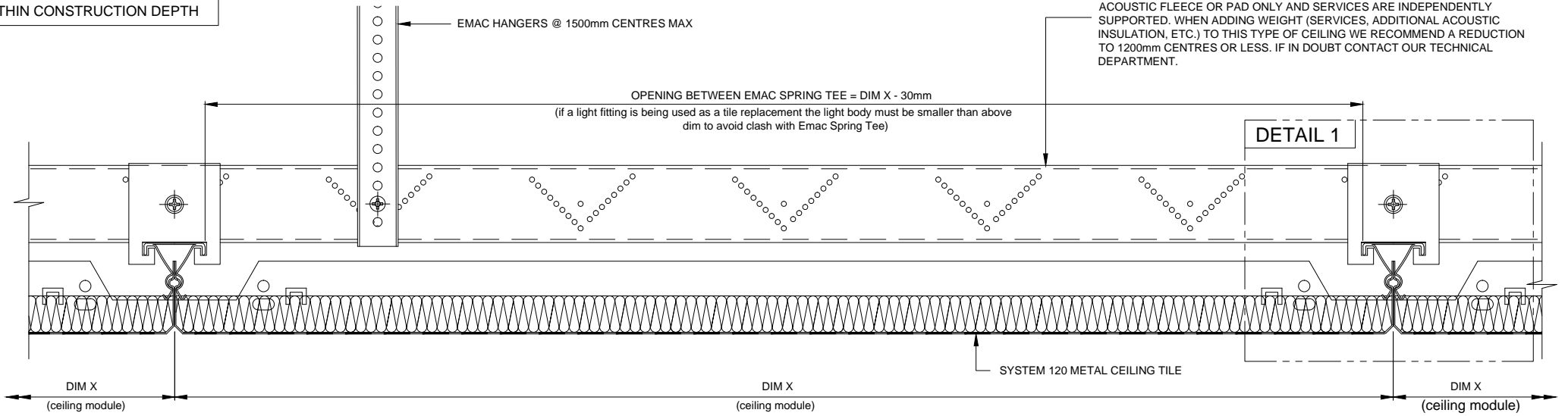
REV DATE DESCRIPTION
A 29-01-15 NOTES AND LAYOUT

SYSTEM 120
ISOMETRIC APPLICATION

SCALE N.T.S. DATE 15.08.12 DRAWN BY K Butler
DRG / ITEM No. 0077 REV A
FACTORY BE WORKNORM

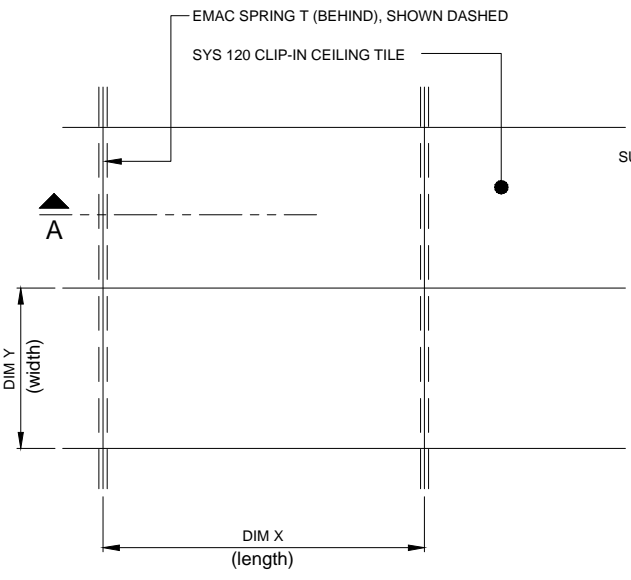
NOTE:
CEILING TILE ACCESS ZONE IS
WITHIN CONSTRUCTION DEPTH

EMAC CHANNEL SUSPENDED AT 1500mm CENTRES, BASED ON A LIGHT WEIGHT CEILING, "LIGHT WEIGHT", REFERS TO CEILING TILES THAT HAVE ACOUSTIC FLEECE OR PAD ONLY AND SERVICES ARE INDEPENDENTLY SUPPORTED. WHEN ADDING WEIGHT (SERVICES, ADDITIONAL ACOUSTIC INSULATION, ETC.) TO THIS TYPE OF CEILING WE RECOMMEND A REDUCTION TO 1200mm CENTRES OR LESS. IF IN DOUBT CONTACT OUR TECHNICAL DEPARTMENT.

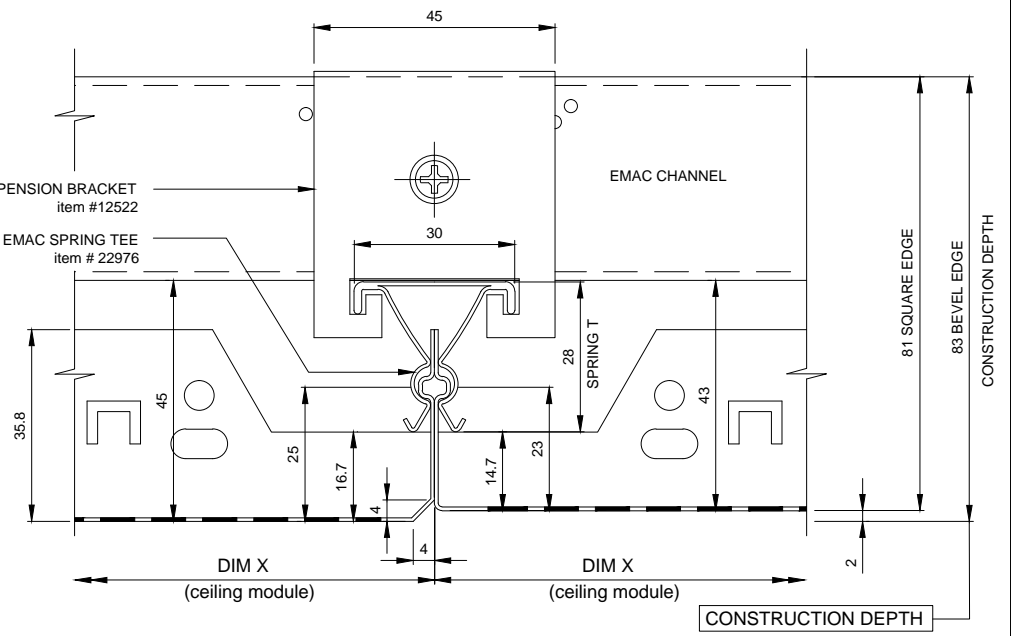


SECTION A
TYPICAL SECTION
SCALE 1:2

STANDARD CEILING MODULES		
DIM X (length)	DIM Y (width)	BEV / SQ EDGE
300	300	BEV
500	500	BEV
600	300	BEV
600	600	BEV / SQ
750	750	BEV
900	300	BEV
1200	300	BEV / SQ
1200	600	BEV
1500	300	BEV
1500	500	BEV / SQ
SPECIAL SIZES		BEV
Available on request, please contact our technical department for more information.		



PART REFLECTED PLAN VIEW
SCALE 1:20



DETAIL 1 - CLIP IN DETAIL BEVEL & SQUARE EDGES
SCALE 1:1

ISOMETRIC ASSEMBLY:
REFER TO DRAWING No. WN 0077



SAS International
31 Suttons Business Park
London Road, Reading
Berkshire RG6 1AZ
United Kingdom
Tel: +44 (0)118 929 0900
Fax: +44 (0)118 929 0901
www.sasint.co.uk

WORKNORM PATH
FOLDER SYSTEMS
FOLDER 120
FOLDER APPLICATION

REV A DATE 01.07.14 DESCRIPTION SIZE OF BEVEL ADDED

SYSTEM 120
SYSTEM DETAILS

SCALE AS SHOWN at A3 DATE 04.03.11 DRAWN BY K Butler
DRG / ITEM No. 0040 REV A
FACTORY BE WORKNORM